

Coils

Technical information

Type:	DIN C
Electrical standards:	EN 60335-1
Pull-in power:	Approx. 1.6 x nominal
Insulation class:	F (155°C)
Duty cycle:	Continuous 100%
Copper enamelled wire:	Temperature class H (200°C)
Bobbin materials:	PA 6.6
Electrical connections:	3 spade connectors



Power	Nominal resistance [Ω]	Nominal current [mA]	Voltage	Order code
(DC Version) approx. 1.1 W	125	96	12	77.610.00.01
	500	48	24	77.610.00.02
	2000	24	48	77.610.00.03
	10500	10.5	110	77.610.00.04
(AC Version) approx. 2.0 / 1.7 VA (50/60Hz)	35	165/138	12	77.610.00.11
	125	100/87	24	77.610.00.12
	460	48/40	48	77.610.00.13
	2850	19/16	110	77.610.00.14
	9000	9/8	230	77.610.00.15

Plugs

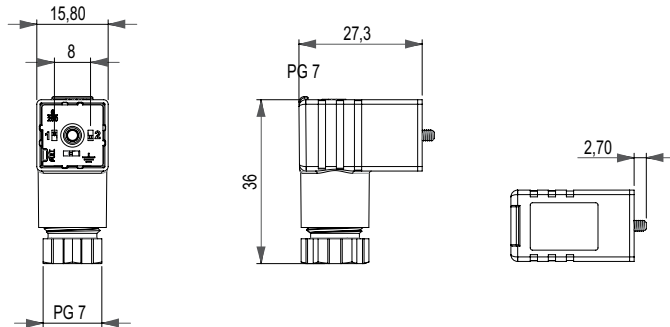
Technical information

Type:	DIN 43650 type C
Contact resistance:	$\leq 5 \text{ m}\Omega$
Cable screw connection:	Pg 7
Protection class:	IP 65 with f at gasket.



Casing/colour	LED	Wire cross section	Nominal current	Nominal voltage	Ambient temperature	No. of poles	Order code
PA6 GF/black	None	max 1mm ²	6 A	250V AC/DC	-40°C to +100°C	2+ ground (earth position H6)	PCP.00.N000
PA12/transparent	Yellow		4 A	24V AC/DC	-20°C to +80°C		PCP.00.Y024
PA12/transparent	Yellow		4 A	115V AC	-20°C to +80°C		PCP.00.Y115
PA12/transparent	Yellow		4 A	230V AC	-20°C to +80°C		PCP.00.Y230

Dimensional drawings



Manifolds & Subplates

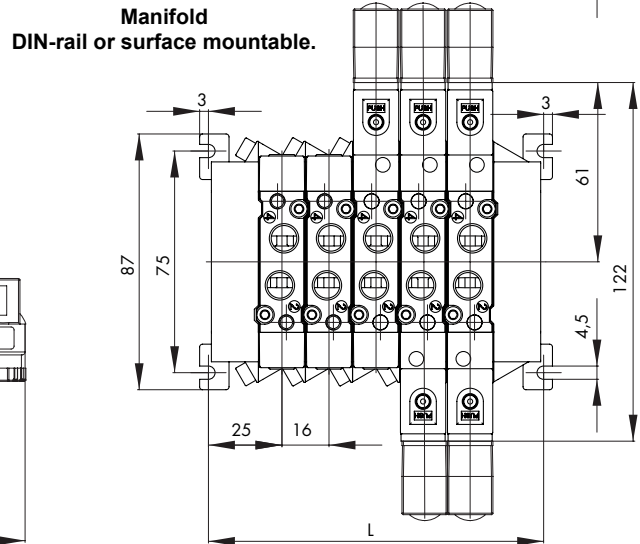
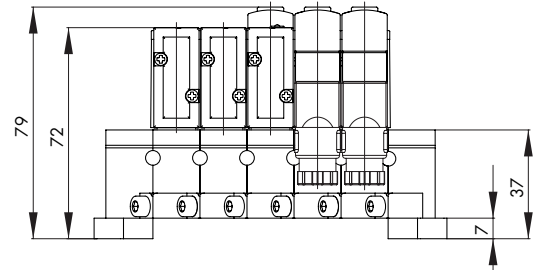
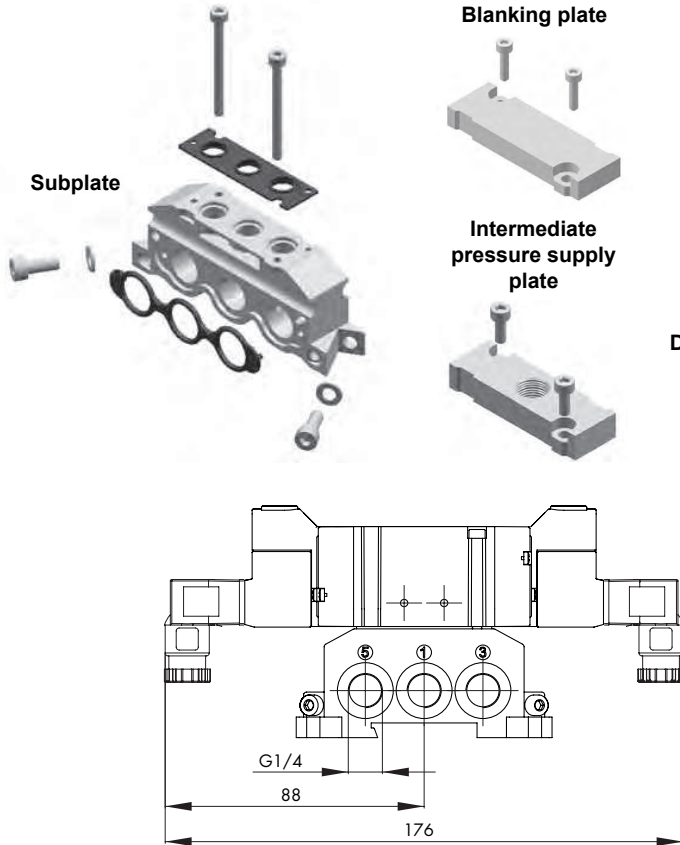


All accessories are included to complete your manifold including banjo screws and washers for the respective parts ordered.

For use with the following valve types: 77.0XX.XX

Description	Order code
Subplate for mounting valves	77.040.00.13
Subplate for mounting valves closed opposite side of the seal	77.040.00.14
Subplate for mounting valves closed pressure/open exhausts	77.040.00.15
End plates one side feeding G1/4 ports	77.040.00.18
End plates both sides feeding G1/4 ports	77.040.00.19
Blanking plate for unused positions, requires a subplate for mounting	77.040.00.20
Intermediate pressure supply plate, requires a subplate for mounting	77.040.00.40

Dimensional drawings



Stations	2	3	4	5	6	7	8	9	10	11	12	13	14	15	16	17	18	19	20
L	66	82	98	114	130	146	162	178	194	210	226	242	258	274	290	306	322	338	354

Air Pilot Operated Manifold Valves

2 x 3/2 Way G1/8 Double Pilot Control

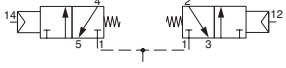
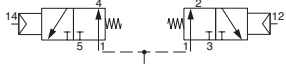
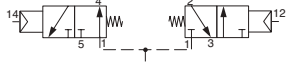
Technical information

Pressure range:	2-8 bar
Temperature range:	-5°C...+50°C
Flow rate:	800 NI/min
Housing:	Aluminium alloy
Sealing element:	Soft spool
Lubricant:	Not required
Operating medium:	5 micron filtered, lubricated or non-lubricated compressed air

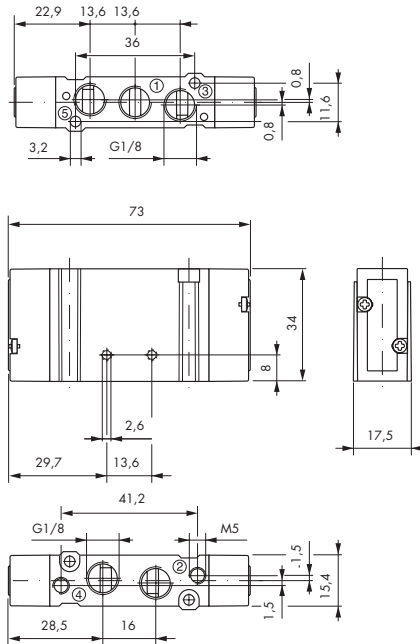


Other information

Subplates are available for this product, see data sheet M1018.

Symbol	Description	Type	Orifice	Ports	Order code
	2 x 3/2 way normally closed	Spool	6mm	G1/8	77.022.14.00
	2 x 3/2 way normally open	Spool	6mm	G1/8	77.022.24.00
	2 x 3/2 way normally open/closed	Spool	6mm	G1/8	77.022.34.00

Dimensional drawings



Air Pilot Control Manifold Valves

5/3 Way G1/8 Double Pilot Control

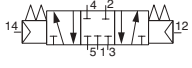
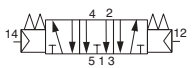
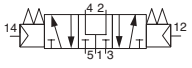
Technical information

Pressure range:	3-8 bar
Temperature range:	-5°C...+50°C
Flow rate:	600 NI/min
Housing:	Aluminium alloy
Sealing element:	Soft spool
Lubricant:	Not required
Operating medium:	5 micron filtered, lubricated or non-lubricated compressed air

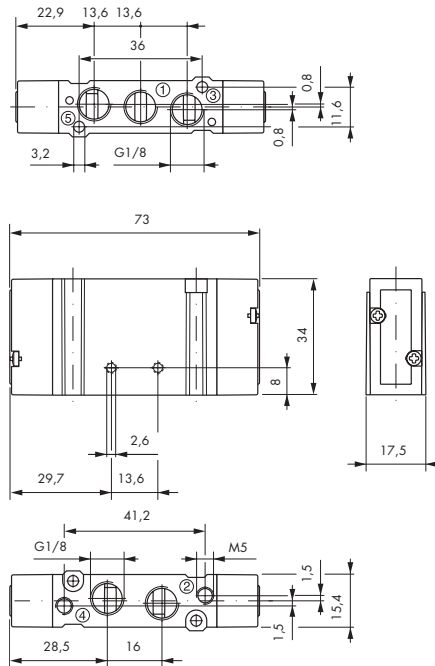


Other information

Subplates are available for this product, see data sheet M1018.

Symbol	Description	Type	Orifice	Ports	Order code
	5/3 way all ports closed	Spool	6mm	G1/8	77.022.12.00
	5/3 way ports 2 & 4 exhaust	Spool	6mm	G1/8	77.022.22.00
	5/3 way ports 2 & 4 pressurised	Spool	6mm	G1/8	77.022.32.00

Dimensional drawings



Solenoid Operated Manifold Valves

5/3 Way G1/8 Double Solenoid Control

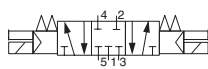
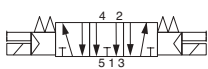
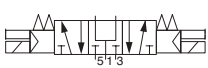
Technical information

Pressure range:	3-8 bar
Temperature range:	-5°C...+50°C
Flow rate:	600 NI/min
Housing:	Aluminium alloy
Sealing element:	Soft spool
Lubricant:	Not required
Operating medium:	5 micron filtered, lubricated or non-lubricated compressed air

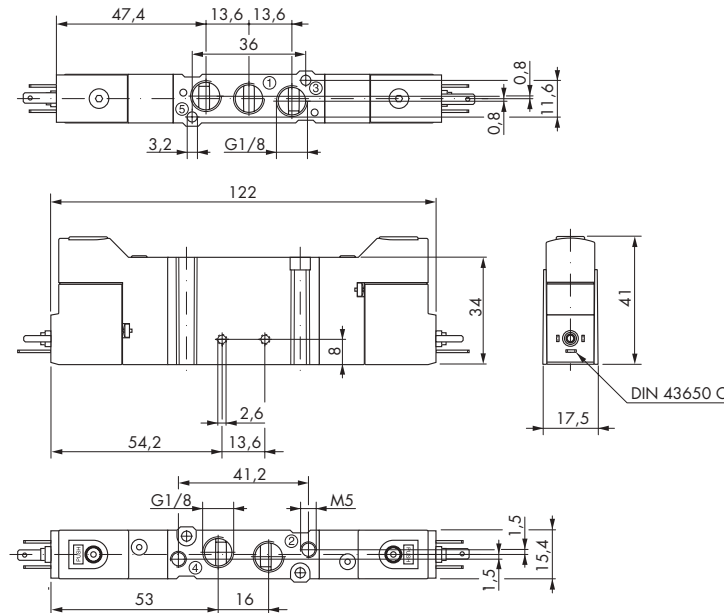


Other information

Order coils & connecting plugs separately, see data sheet M1020.
Subplates are available for this product, see data sheet M1018.
For low pressure use, external auxiliary ports are available.

Symbol	Description	Type	Orifice	Ports	Order code
	5/3 way all ports closed	Spool	6mm	G1/8	77.012.12.00
	5/3 way all ports closed + auxiliary ports	Spool	6mm	G1/8	77.032.12.00
	5/3 way ports 2 & 4 exhaust	Spool	6mm	G1/8	77.012.22.00
	5/3 way ports 2 & 4 exhaust + auxiliary ports	Spool	6mm	G1/8	77.032.22.00
	5/3 way ports 2 & 4 pressurised	Spool	6mm	G1/8	77.012.32.00
	5/3 way ports 2 & 4 pressurised + auxiliary ports	Spool	6mm	G1/8	77.032.32.00

Dimensional drawings



Air Pilot Operated Manifold Valves

5/2 Way G1/8 Double & Single Pilot Control

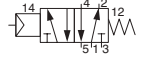
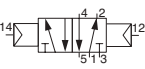
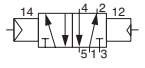
Technical information

Pressure range:	2-8 bar
Temperature range:	-5°C...+50°C
Flow rate:	800 NI/min
Housing:	Aluminium alloy
Sealing element:	Soft spool
Lubricant:	Not required
Operating medium:	5 micron filtered, lubricated or non-lubricated compressed air

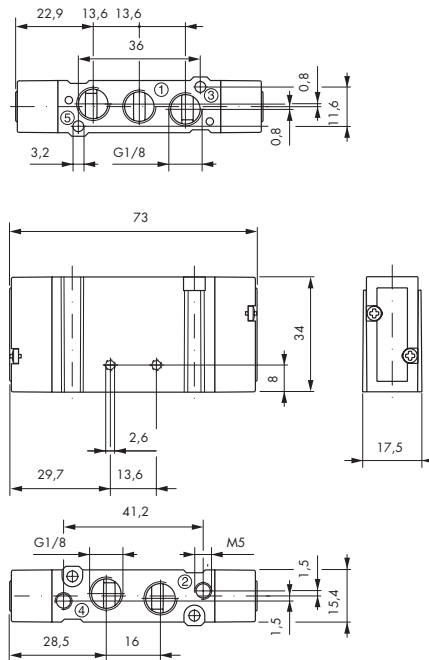


Other information

Subplates are available for this product, see data sheet M1018.

Symbol	Description	Type	Orifice	Ports	Order code
	5/2 way single pilot	Spool	6mm	G1/8	77.022.91.00
	5/2 way double pilot	Spool	6mm	G1/8	77.022.92.00
	5/2 way double pilot with priority	Spool	6mm	G1/8	77.022.93.00

Dimensional drawings



Solenoid Operated Manifold Valves

5/2 Way G1/8 Double & Single Solenoid Control

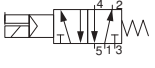
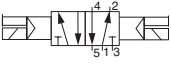
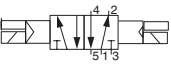
Technical information

Pressure range:	2-8 bar
Temperature range:	-5°C...+50°C
Flow rate:	800 NI/min
Housing:	Aluminium alloy
Sealing element:	Soft spool
Lubricant:	Not required
Operating medium:	5 micron filtered, lubricated or non-lubricated compressed air

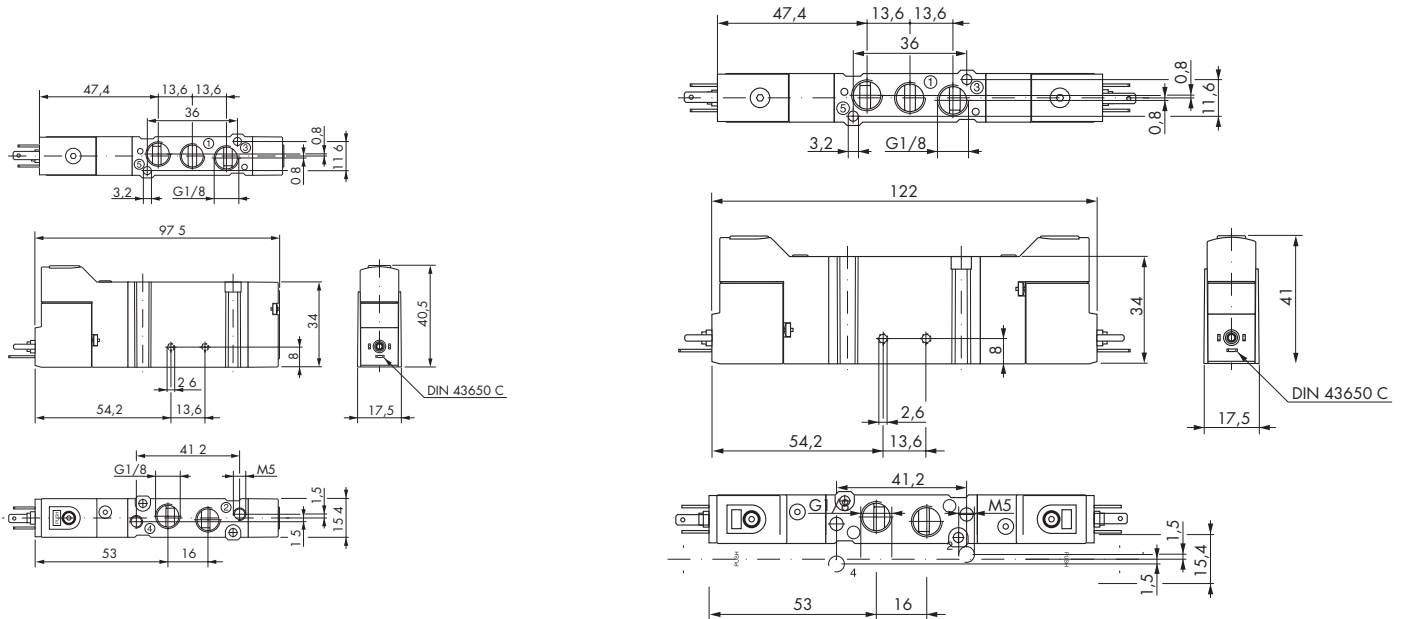


Other information

Order coils & connecting plugs separately, see data sheet M1020.
Subplates are available for this product, see data sheet M1018.
For low pressure use, external auxiliary ports are available.

Symbol	Description	Type	Orifice	Ports	Order code
	5/2 way single solenoid	Spool	6mm	G1/8	77.012.91.00
	5/2 way single solenoid + auxiliary ports	Spool	6mm	G1/8	77.032.91.00
	5/2 way double solenoid	Spool	6mm	G1/8	77.012.92.00
	5/2 way double solenoid + auxiliary ports	Spool	6mm	G1/8	77.032.92.00
	5/2 way double solenoid with priority	Spool	6mm	G1/8	77.012.93.00
	5/2 way double solenoid with priority + auxiliary ports	Spool	6mm	G1/8	77.032.93.00

Dimensional drawings



Solenoid Operated Manifold Valves

2 x 3/2 Way G1/8 Double Solenoid Control

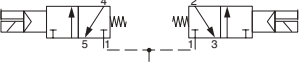
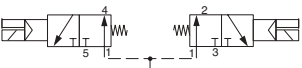
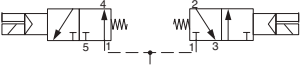
Technical information

Pressure range:	2-8 bar
Temperature range:	-5°C...+50°C
Flow rate:	800 NI/min
Housing:	Aluminium alloy
Sealing element:	Soft spool
Lubricant:	Not required
Operating medium:	5 micron filtered, lubricated or non-lubricated compressed air



Other information

Order coils & connecting plugs separately, see data sheet M1020.
Subplates are available for this product, see data sheet M1018.
For low pressure use, external auxiliary ports are available.

Symbol	Description	Type	Orifice	Ports	Order code
	2 x 3/2 way normally closed	Spool	6mm	G1/8	77.012.14.00
	2 x 3/2 way normally closed + auxiliary ports	Spool	6mm	G1/8	77.032.14.00
	2 x 3/2 way normally open	Spool	6mm	G1/8	77.012.24.00
	2 x 3/2 way normally open + auxiliary ports	Spool	6mm	G1/8	77.032.24.00
	2 x 3/2 way normally open/closed	Spool	6mm	G1/8	77.012.34.00
	2 x 3/2 way normally open/closed + auxiliary ports	Spool	6mm	G1/8	77.032.34.00

Dimensional drawings

