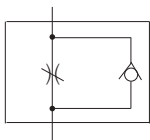


Series SP4000

Speed Controller – Inline Type

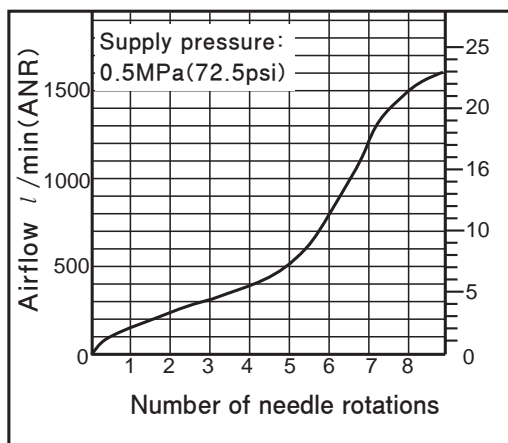


Symbol



- COMPACT SIZE SAVES SPACE
- SPEED SHALL BE ACCURATELY CONTROLLED EVEN AT LOW SPEED
- CONSTANT SPEED EASILY SET
- RETAINER PREVENTS ACCIDENTAL LOSS OF NEEDLE

Flow Characteristics



How to Order



1 Series

Blank : PT
U : NPT

2 Port Size

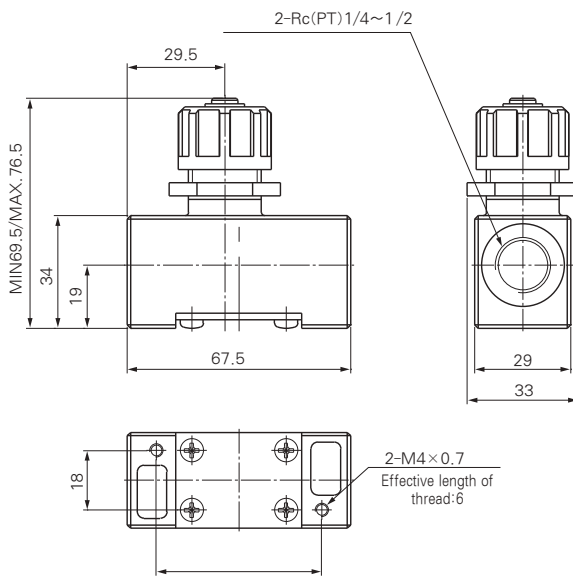
02 : 1/4"
03 : 3/8"
04 : 1/2"

Specifications

Proof pressure	1.5MPa(213.3psi)
Max. operating pressure	1.0MPa(140.8psi)
Min. operating pressure	0.05MPa(7.11psi)
Ambient and fluid temperature	5~60°C(41~140°F)
Number of needle rotations	8 turns

Dimensions

(Unit:mm)



SN

SP2000

SP4000

SQ

SC

SP

SHF·SHS

DC

SQ2

ST

SF