

t



**Features**

- Speed control valve with built in one touch fitting
- Easy to control the speed by finely adjusting the flow
- Superior corrosion resistance with nickel plated surface

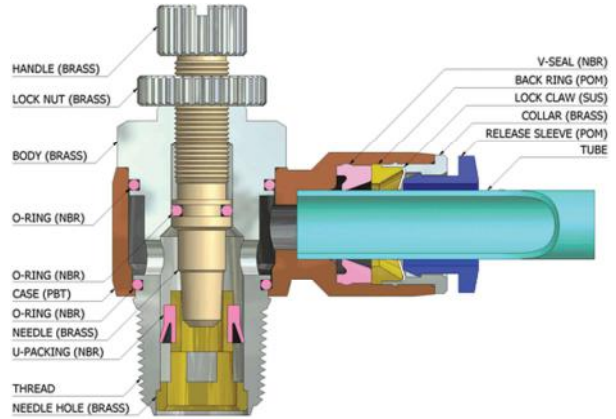
**How to order**

**SP 2 2 0 1F - 02 - 08 S D-W**

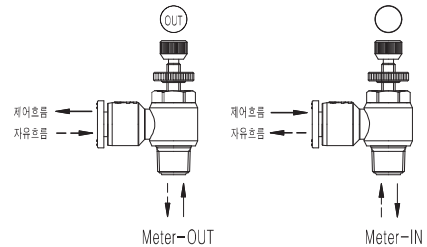


- 1 Body size**  
5 ∅ B  
6 ∅ 53 053  
8 ∅ 83  
: ∅ 53
- 2 Type**  
4 ∅  
6 ∅  
8 ∅
- 3 Control type**  
4 ∅ 1s  
5 ∅ 1k
- 4 Built-in one touch fitting**
- 5 Thread**  
∅ B ∅ B 42  
45 ∅ 53  
46 ∅ 53  
48 ∅ 83  
4: ∅ 53
- 6 Applicable tubing O.D.**  
4: ∅ :  
4D ∅ D  
4I ∅ I  
54 ∅ 54  
56 ∅ 56
- 7 Thread seal method**  
w ∅ w  
※ Please contact us for thread sealant method for M5
- 8 Flat-blade screw**  
S ∅ w  
a ∅ a

**Structure**



**Flow control type (Meter-Out/-In)**



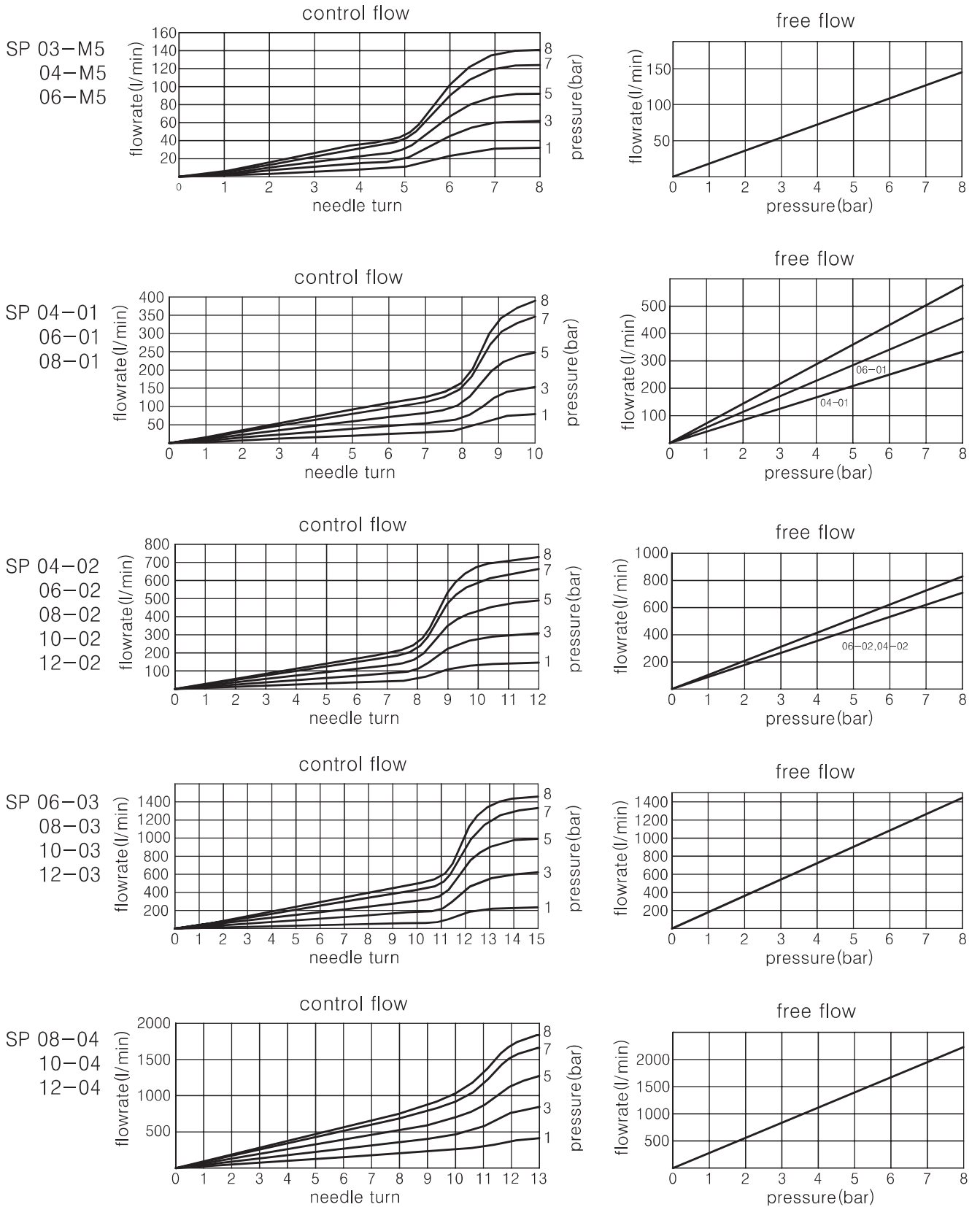
**Specifications**

Fluid	Air
Operating pressure range	0~150psi (0~9.9kgf/cm <sup>2</sup> )
Fluid temperature	0~60 °C
Applicable tube	Polyurethane tube, Nylon tube

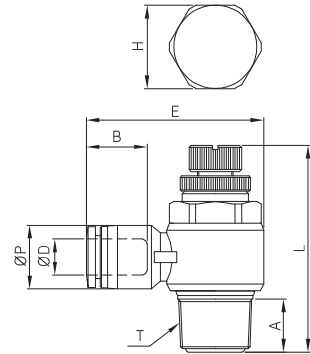
**Cautions**

Be sure to have a full understanding before use and refer to safety cautions and common cautions

SP Flow Graph



# SP



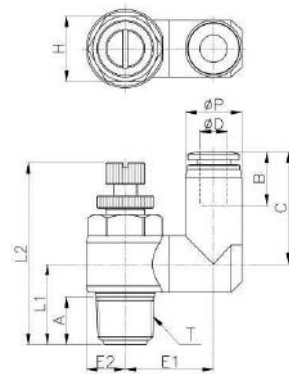
**METRIC-BSPT(R)**

Unit : mm

MODEL	ØD (Tube Size)	T (Tube Size)	ØP	L		E	A	B	H (Hex.)	Weight (g)
				MIN	MAX					
SP1201F-M5-04	4	M5×0.8	10.5	27.1	29.1	25.4	3.6	14.9	8	9.0
SP2201F-01-04S		R 1/8		35.5	40.7	30.5	8.2		11	20.0
SP2201F-02-04S		R 1/4		40.3	46.6	34.5	11.0		15	36.0
SP1201F-M5-06	6	M5×0.8	12.5	27.1	29.1	27.8	3.6	16.4	8	10.0
SP2201F-01-06S		R 1/8		35.5	40.7	31.3	8.2		11	21.0
SP2201F-02-06S		R 1/4		40.3	46.6	35.3	11.0		15	37.0
SP3201F-03-06S		R 3/8		46.9	54.9	38.8	12.2		19	70.0
SP4201F-04-06S	R 1/2	54.0	60.1	44.9	16.5	24	108.0			
SP2201F-01-08S	8	R 1/8	14.5	35.5	40.7	33.4	8.2	18.7	11	22.0
SP2201F-02-08S		R 1/4		40.3	46.6	37.4	11.0		15	38.0
SP3201F-03-08S		R 3/8		46.9	54.9	40.4	12.2		19	71.0
SP4201F-04-08S		R 1/2		54.0	60.1	46.3	16.5		24	109.0
SP2201F-02-10S	10	R 1/4	17.5	40.3	46.6	38.8	11.0	20.1	15	42.0
SP3201F-03-10S		R 3/8		46.9	54.9	42.1	12.2		19	73.0
SP4201F-04-10S		R 1/2		54.0	60.1	47.3	16.5		24	110.0
SP3201F-03-12S	12	R 3/8	20.5	46.9	54.9	45.2	12.2	22.8	19	75.0
SP4201F-04-12S		R 1/2		54.0	60.1	50.1	16.5		24	113.0

# SP

Universal type



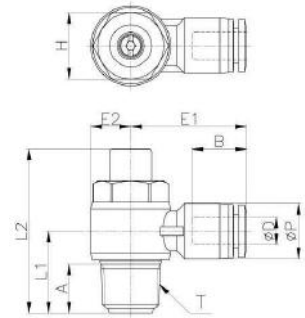
**METRIC-BSPT(R)**

Unit : mm

MODEL	ØD (Tube Size)	ØP	T (Tube Size)	L1	L2(MIN)	E1	E2	A	B	H (Hex.)	C	Weight (g)
SP2301F-01-04S	R 1/8	15.1	35.5	14.3	7.0	8.2	15	20.3	36.1			
SP2301F-02-04S	R 1/4	18.4	40.3	17.8	9.2	11.0	15	20.3	36.1			
SP1301F-M5-06S	6	12.5	M5×0.8	9.6	27.1	13.3	5.2	3.6	16.4	8	22.4	10.2
SP2301F-01-06S			R 1/8	15.6	35.5	15.0	7.0	8.2		11	24.0	21.1
SP2301F-02-06S			R 1/4	18.4	40.3	20.3	9.2	11.0		15	25.9	38.7
SP3301F-03-06S			R 3/8	21.9	46.9	23.3	11.5	12.2		19	25.9	70.2
SP2301F-01-08S	8	14.8	R 1/8	15.6	35.5	16.2	7.0	8.2	18.3	11	24.9	22.1
SP2301F-02-08S			R 1/4	18.4	40.3	19.3	9.2	11.0		15	28.3	39.8
SP3301F-03-08S			R 3/8	22.4	46.9	24.6	11.5	12.2		19	29.3	71.4
SP4301F-04-08S			R 1/2	26.6	54.0	26.6	14.3	16.5		24	29.3	110.0
SP2301F-02-10S	10	17.5	R 1/4	18.4	40.3	20.3	9.2	11.0	20.2	15	30.7	42.2
SP3301F-03-10S			R 3/8	22.4	46.9	24.6	11.5	12.2		19	31.7	73.5
SP4301F-04-10S			R 1/2	26.7	54.0	26.7	14.3	16.5		24	33.1	112.5
SP2301F-02-12S	12	20.5	R 1/4	18.4	40.3	21.8	9.2	11.0	22.9	15	33.4	44.1
SP3301F-03-12S			R 3/8	22.4	46.9	24.6	11.5	12.2		19	34.4	79.0
SP4301F-04-12S			R 1/2	26.7	54.0	26.7	14.3	16.5		24	35.8	115.9

# SP-D

Flat-tip screwdriver control type

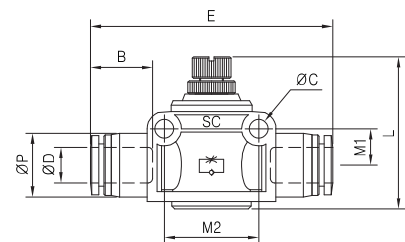


## METRIC-BSPT(R)

Unit : mm

MODEL	ØD (Tube Size)	ØP	T (Tube Size)	L1	L2	E1	E2	A	B	H (Hex.)	Weight (g)
SP1201F-M5-03SD	3	7.8	M5×0.8	9.6	23.2	16.5	5.0	3.6	11.3	8	6.0
SP1210F-M5-04SD			M5×0.8	10.3	23.2	20.2	5.0	3.6	14.8	8	7.0
SP2201F-01-04SD	4	10.5	R 1/8	15.1	31.5	23.3	7.0	8.2	15.3	11	16.0
SP2201F-02-04SD			R 1/4	18.4	37.0	25.3	9.0	11.0	15.3	15	35.0
SP1201F-M5-06SD			M5×0.8	11.4	23.2	22.7	5.0	3.6	16.4	8	9.0
SP2201F-01-06SD	6	12.5	R 1/8	15.1	31.5	24.2	7.0	8.2	16.4	11	18.0
SP2201F-02-06SD			R 1/4	18.4	37.0	26.2	9.0	11.0	16.4	15	33.0
SP3201F-03-06SD			R 3/8	21.9	43.3	27.2	11.0	12.2	16.4	19	63.0
SP4201F-04-06SD			R 1/2	26.5	50.2	30.8	14.0	16.5	16.4	24	108.0
SP2201F-01-08SD			R 1/8	16.2	31.5	25.9	7.0	8.2	18.3	11	20.0
SP2201F-02-08SD	8	14.5	R 1/4	19.2	37.0	27.9	9.0	11.0	18.3	15	34.0
SP3201F-03-08SD			R 3/8	21.9	43.3	28.9	11.0	12.2	18.3	19	64.0
SP4201F-04-08SD			R 1/2	26.5	50.2	31.8	14.0	16.5	18.3	24	100.0
SP2201F-01-10SD			R 1/8	17.7	31.5	27.9	7.0	8.2	19.7	11	26.0
SP2201F-02-10SD	10	17.5	R 1/4	20.7	37.0	29.9	9.0	11.0	19.7	15	38.0
SP3201F-03-10SD			R 3/8	23.2	43.3	31.0	11.2	12.2	19.7	19	63.0
SP4201F-04-10SD			R 1/2	26.5	50.2	33.4	14.0	16.5	19.7	24	103.0
SP2201F-02-12SD			R 1/4	22.2	37.0	33.3	9.0	11.0	21.9	15	42.0
SP3201F-03-12SD	12	20.5	R 3/8	24.0	43.3	33.7	11.5	12.2	21.9	19	65.0
SP4201F-04-12SD			R 1/2	28.0	50.2	36.1	14.0	16.5	21.9	24	104.0

# SPF



## METRIC-BSPT(R)

Unit : mm

MODEL	ØD (Tube Size)	ØP	L		E	ØC	B	M1	M2	Weight (g)
			MIN	MAX						
SP100F-04	4	10.5	26.4	28.9	44.8	3.2	14.9	5.6	15.4	13.0
SP200F-06	6	12.5	33.5	37.9	49.6	4.3	16.4	8.0	20.4	28.0
SP205F-08	8	14.8	35.5	41.5	56.4	4.4	18.7	8.5	22.0	45.0
SP300F-10	10	17.5	40.7	48.7	61.4	4.3	20.1	10.3	28.1	84.0
SP300F-12	12	20.5	45.0	53.5	70.3	4.4	22.8	12.1	32.0	123.0