

# Coils - Not For ATEX

## Technical information

<b>Type:</b>	DIN B
<b>Electrical standards:</b>	EN 60335-1 EN 60730-1
<b>Pull-in power:</b>	Approx. 1.5 x nominal (AC)
<b>Insulation class:</b>	F (155°C)
<b>Duty cycle:</b>	Continuous 100%
<b>Copper enamelled wire:</b>	Temperature class H (200°C)
<b>Bobbin materials:</b>	PA 6.6
<b>Electrical connections:</b>	3 spade connectors (6.3 x 0.8 DIN 46247)



Power	Nominal resistance [Ω]	Nominal current [mA]	Return power	Pull-in/drop-out time	Voltage	Order code
(DC Version) approx. 2.5 W	56	214	0.1 W	15 - 20 ms	12	76.410.00.01
	220	109			24	76.410.00.02
	900	53			48	76.410.00.03
	4300	25.5			110	76.410.00.04
(AC Version) approx. 4.0 / 3.5 VA (50/60Hz)	56	167/146	1.5 VA	15 - 20 ms	24	76.410.02.12
	220	84/73			48	76.410.02.13
	1280	37/32			110	76.410.02.14
	4750	18/16			230	76.410.02.15

# Plugs - Not For ATEX

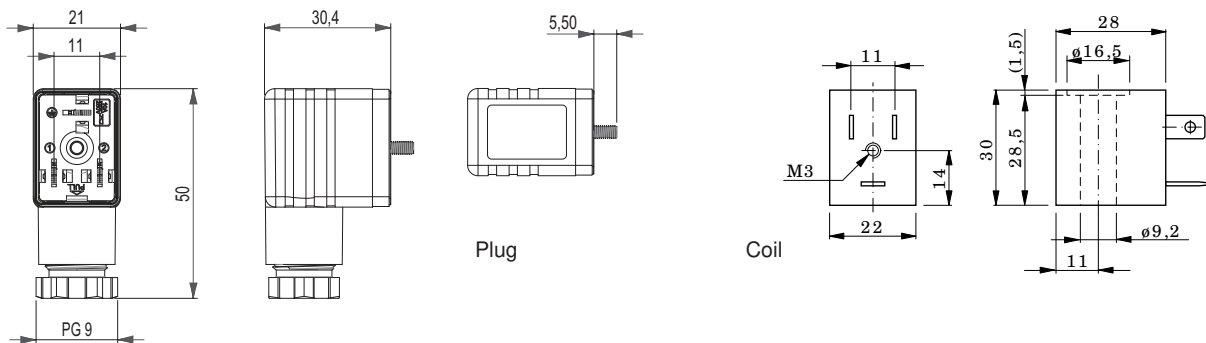
## Technical information

<b>Type:</b>	DIN 43650 type B
<b>Contact resistance:</b>	≤ 5 mΩ
<b>Cable screw connection:</b>	Pg 9
<b>Protection class:</b>	IP 65 with flat gasket.



Casing/colour	LED	Wire cross section	Nominal current	Nominal voltage	Ambient temperature	No. of poles	Order code
PA6 GF/black	None	max 1.5mm <sup>2</sup>	10 A	250V AC/DC	-40°C to +100°C	2+ ground (earth position H12)	PBP.00.N000
PA12/transparent	Yellow		4 A	24V AC/DC	-20°C to +80°C		PBP.00.Y024
PA12/transparent	Yellow		4 A	115V AC	-20°C to +80°C		PBP.00.Y115
PA12/transparent	Yellow		4 A	230V AC	-20°C to +80°C		PBP.00.Y230

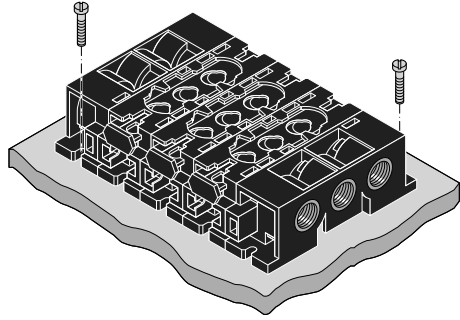
## Dimensional drawings



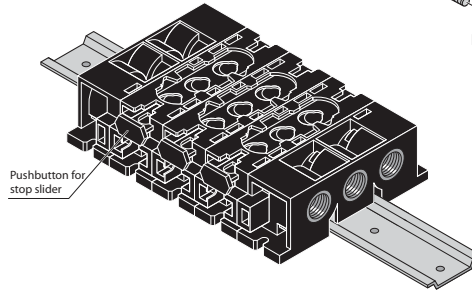
# Manifolds & Subplates

## Plastic Subplates

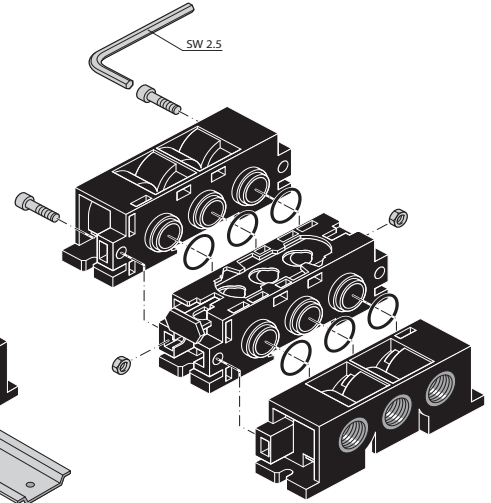
For use with 76.127/76.123 & 76.124 valves



Flat surface mounting

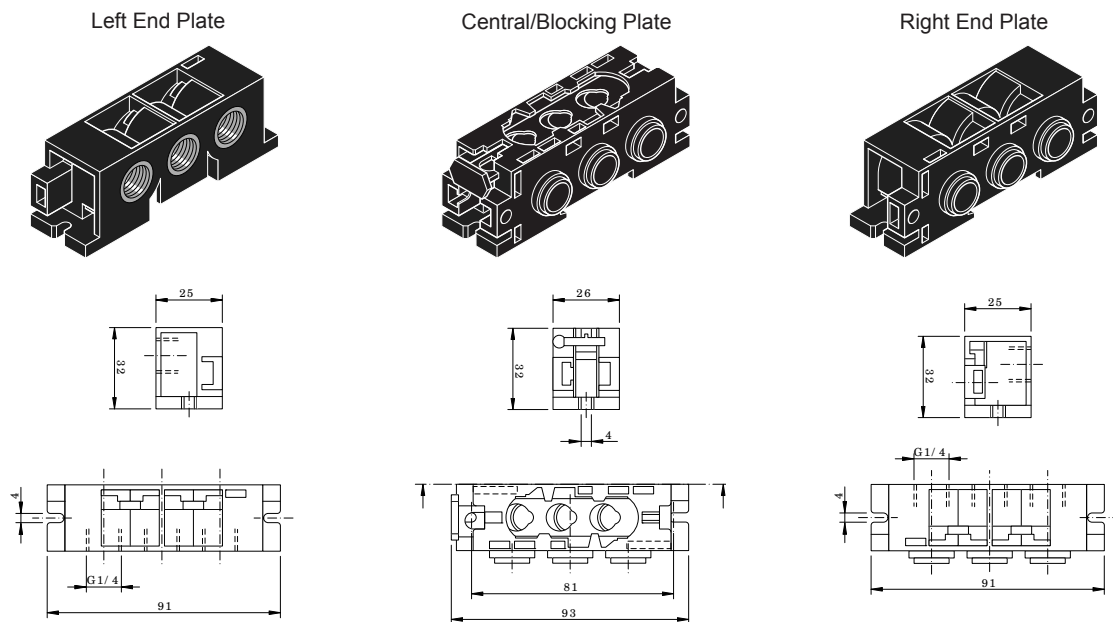


DIN rail mounting (35mm wide H type rail)



Description	Ports	Order code
Left end plate	G1/4	76.420.00.99
Right end plate, includes linking set	G1/4	76.420.00.98
Central plate for mounting valves, includes linking set	-	76.420.00.01
Intermediate blocking plate for differential pressures, includes linking set	-	76.420.00.05
Dummy Plug for unused subplates, one piece required per subplate section	-	76.420.00.06

## Dimensional drawings



# Solenoid Operated Pneumatic Valves

## 5/2 & 5/3 Double Solenoid Control Valve G1/8 Ports

### Technical information

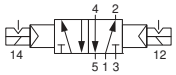
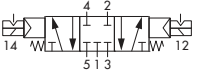
<b>Pressure range:</b>	2.5-10 bar
<b>Temperature range:</b>	-15°C...+50°C
<b>Housing:</b>	Die cast and lacquered aluminium alloy
<b>Seals:</b>	NBR
<b>Lubricant:</b>	Not required
<b>Earthing contact:</b>	Part of the standard device.
<b>Operating medium:</b>	5 micron filtered, lubricated or non-lubricated compressed air



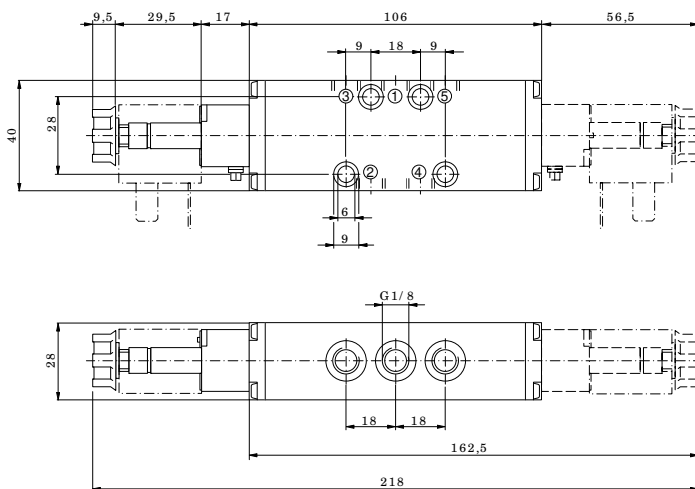
### Other information



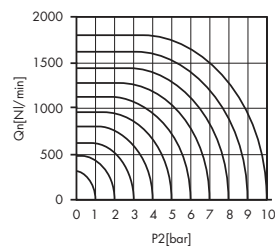
For ATEX certification use suffix code "EX" for example 76.XXX.XX.XX.EX  
For NPT ports use use prefix code "75" for example 75.XXX.XX.XX  
Order coils & connecting plugs separately, see data sheet M1002.

Symbol	Description	Type	Orifice	Ports	Order code
	5/2 way double solenoid	Poppet	6mm	G1/8	<b>76.027.92.00</b>
	5/2 way double solenoid	Spool	6mm	G1/8	<b>76.023.92.00</b>
	5/3 way spring return to centre all ports closed	Spool	6mm	G1/8	<b>76.024.12.00</b>
	5/3 way spring return to centre all ports open	Spool	6mm	G1/8	<b>76.024.02.00</b>

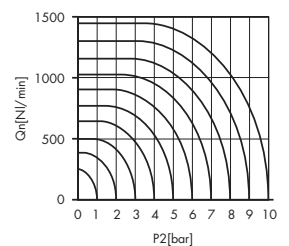
### Dimensional drawings



Flow rate orifice 6mm poppet type  
kv=12,3 l/min



Flow rate orifice 6mm spool type  
kv=9,7 l/min



# Solenoid Operated Pneumatic Valves

## 5/2 & 5/3 Double Solenoid Control Valve G1/4 Ports

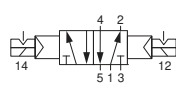
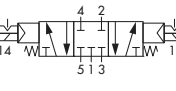
### Technical information

<b>Pressure range:</b>	2.5-10 bar
<b>Temperature range:</b>	-15°C...+50°C
<b>Housing:</b>	Glass fibre reinforced PPA
<b>Seals:</b>	NBR
<b>Lubricant:</b>	Not required
<b>Earthing contact:</b>	Part of the standard device.
<b>Operating medium:</b>	5 micron filtered, lubricated or non-lubricated compressed air.

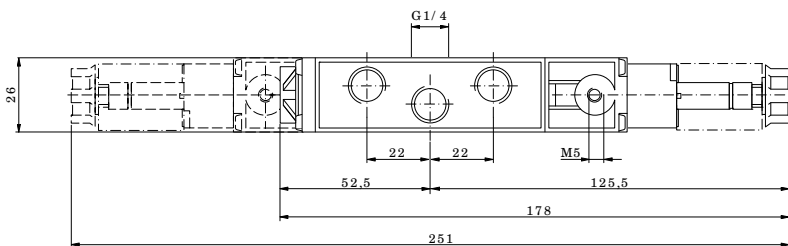
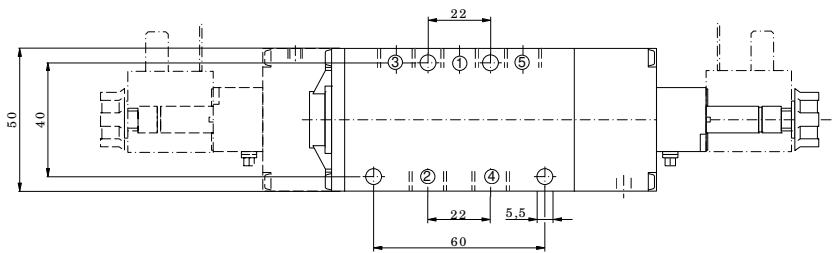


### Other information

For NPT ports use prefix code "75" for example 75.XXX.XX.XX  
Order coils & connecting plugs separately, see data sheet M1002.

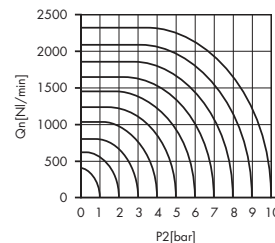
Symbol	Description	Type	Orifice	Ports	Order code
	5/2 way double solenoid	Poppet	8mm	G1/4	<b>76.147.92.00</b>
	5/2 way double solenoid	Spool	8mm	G1/4	<b>76.143.92.00</b>
	5/3 way spring return to centre all ports closed	Spool	8mm	G1/4	<b>76.144.12.00</b>
	5/3 way spring return to centre all ports open	Spool	8mm	G1/4	<b>76.144.02.00</b>

### Dimensional drawings



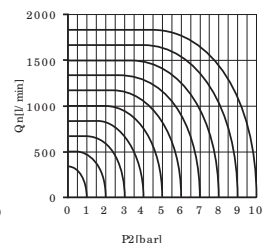
Flow rate orifice 8mm poppet type

kv=15,8 l/min



Flow rate orifice 8mm spool type

kv=12,40 l/min



# Solenoid Operated Pneumatic Valves

## 5/2 & 5/3 Double Solenoid Control Valve G1/8 Ports

### Technical information

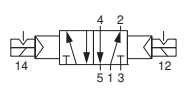
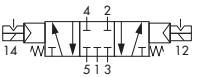
<b>Pressure range:</b>	2.5-10 bar
<b>Temperature range:</b>	-15°C...+50°C
<b>Housing:</b>	Die cast and lacquered aluminium alloy
<b>Seals:</b>	NBR
<b>Lubricant:</b>	Not required
<b>Earthing contact:</b>	Part of the standard device.
<b>Operating medium:</b>	5 micron filtered, lubricated or non-lubricated compressed air



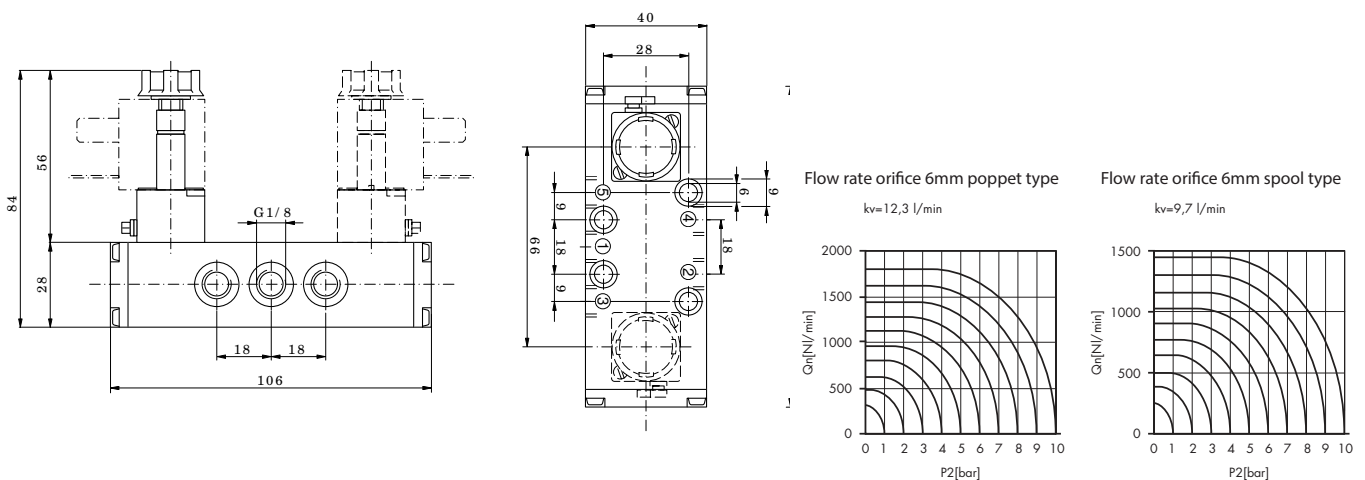
### Other information



For ATEX certification use suffix code "EX" for example 76.XXX.XX.XX.EX  
 For NPT ports use prefix code "75" for example 75.XXX.XX.XX  
 Order coils & connecting plugs separately, see data sheet M1002.

Symbol	Description	Type	Orifice	Ports	Order code
	5/2 way double solenoid	Poppet	6mm	G1/8	<b>76.027.95.00</b>
	5/2 way double solenoid	Spool	6mm	G1/8	<b>76.023.95.00</b>
	5/3 way spring return to centre all ports closed	Spool	6mm	G1/8	<b>76.024.15.00</b>
	5/3 way spring return to centre all ports open	Spool	6mm	G1/8	<b>76.024.05.00</b>

### Dimensional drawings



# Solenoid Operated Pneumatic Valves

## 5/2 & 5/3 Way Double Solenoid Control Valve G1/4 Ports

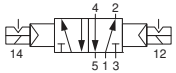
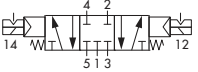
### Technical information

<b>Pressure range:</b>	2.5-10 bar
<b>Temperature range:</b>	-15°C...+50°C
<b>Housing:</b>	Glass fibre reinforced PPA
<b>Seals:</b>	NBR
<b>Lubricant:</b>	Not required
<b>Earthing contact:</b>	Part of the standard device.
<b>Operating medium:</b>	5 micron filtered, lubricated or non-lubricated compressed air.

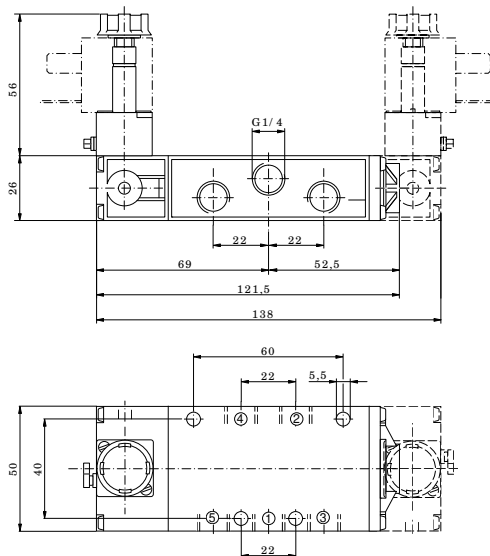


### Other information

For NPT ports use prefix code "75" for example 75.XXX.XX.XX  
Order coils & connecting plugs separately, see data sheet M1002.

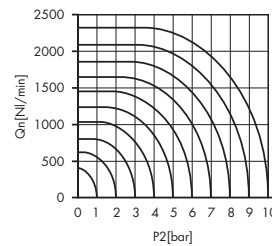
Symbol	Description	Type	Orifice	Ports	Order code
	5/2 way double solenoid	Poppet	8mm	G1/4	<b>76.147.95.00</b>
	5/2 way double solenoid	Spool	8mm	G1/4	<b>76.143.95.00</b>
	5/3 way spring return to centre all ports closed	Spool	8mm	G1/4	<b>76.144.15.00</b>
	5/3 way spring return to centre all ports open	Spool	8mm	G1/4	<b>76.144.05.00</b>

### Dimensional drawings



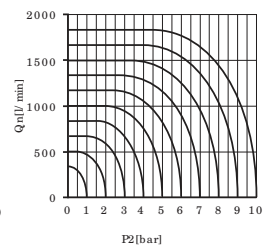
Flow rate orifice 8mm poppet type

kv=15,8 l/min



Flow rate orifice 8mm spool type

kv=12,40 l/min



# Solenoid Operated Pneumatic Valves

## 3/2 Way Single Solenoid Control Valve G1/8 & G1/4 Ports

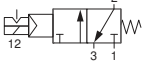
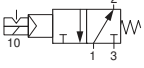
### Technical information

<b>Pressure range:</b>	2.5-10 bar
<b>Temperature range:</b>	-15°C...+50°C
<b>Housing:</b>	Glass fibre reinforced PPA
<b>Seals:</b>	NBR
<b>Lubricant:</b>	Not required
<b>Earthing contact:</b>	Part of the standard device.
<b>Operating medium:</b>	5 micron filtered, lubricated or non-lubricated compressed air.

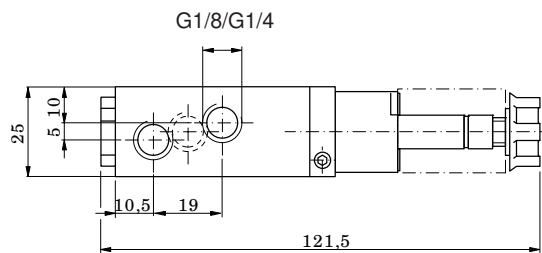
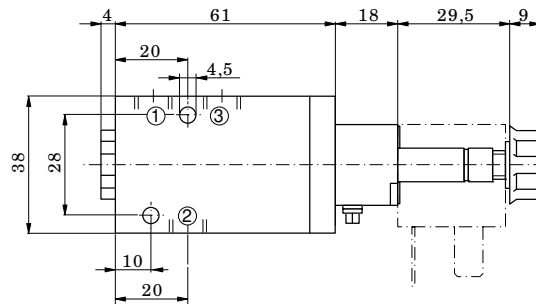


### Other information

For NPT ports use prefix code "75" for example 75.XXX.XX.XX  
For vacuum please use code 76.7XX.XX.XX  
Order coils & connecting plugs separately, see data sheet M1002.

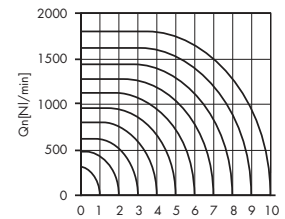
Symbol	Description	Type	Orifice	Ports	Order code
	3/2 way normally closed spring return	Poppet	6mm	G1/8	<b>76.126.01.00</b>
	3/2 way normally closed spring return	Poppet	8mm	G1/4	<b>76.146.01.00</b>
	3/2 way normally open spring return	Poppet	6mm	G1/8	<b>76.126.11.00</b>
	3/2 way normally open spring return	Poppet	8mm	G1/4	<b>76.146.11.00</b>

### Dimensional drawings



Flow rate orifice 6mm poppet type

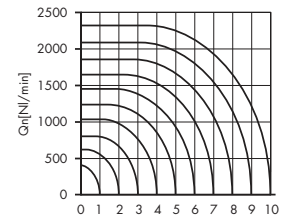
kv=12,3 l/min



P2[bar]

Flow rate orifice 8mm poppet type

kv=15,8 l/min



P2[bar]

# Solenoid Operated Pneumatic Valves

## 3/2 Way Single Solenoid Control Valve G1/2 Ports

### Technical information

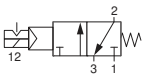
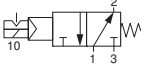
<b>Pressure range:</b>	2.5-10 bar
<b>Temperature range:</b>	-15°C...+50°C
<b>Housing:</b>	Lacquered aluminium alloy
<b>Seals:</b>	NBR
<b>Lubricant:</b>	Not required
<b>Earthing contact:</b>	Part of the standard device.
<b>Operating medium:</b>	5 micron filtered, lubricated or non-lubricated compressed air



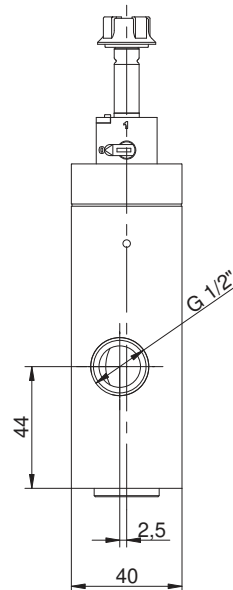
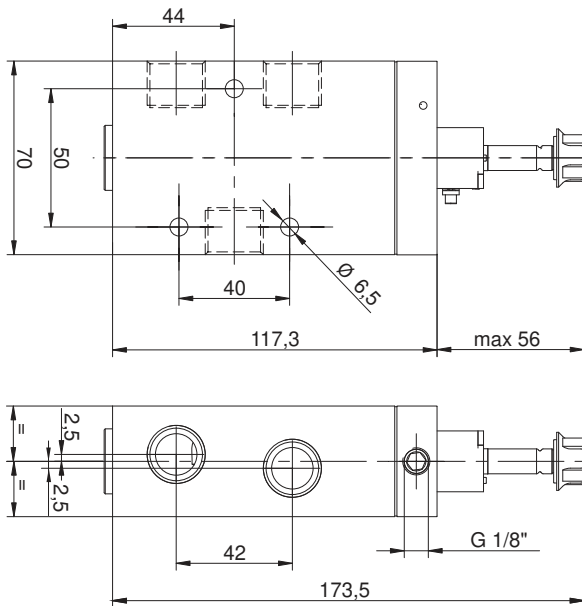
### Other information



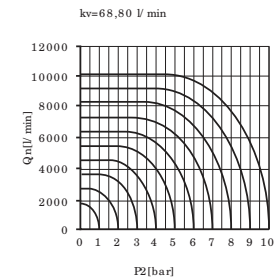
For ATEX certification use suffix code "EX" for example 76.XXX.XX.XX.EX  
 For NPT ports use prefix code "75" for example 75.XXX.XX.XX  
 For vacuum please use code 76.2XX.XX.XX \*\*this version only.  
 Order coils & connecting plugs separately, see data sheet M1002.

Symbol	Description	Type	Orifice	Ports	Order code
	3/2 way normally closed spring return**	Poppet	15mm	G1/2	76.066.01.00
	3/2 way normally open spring return	Poppet	15mm	G1/2	76.066.11.00

### Dimensional drawings



Flow rate orifice 15mm poppet type





# Solenoid Operated Pneumatic Valves

## 5/2 Way Single Solenoid Control Valve G1/8 Ports

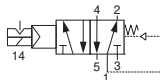
### Technical information

<b>Pressure range:</b>	2.5-10 bar
<b>Temperature range:</b>	-15°C...+50°C
<b>Housing:</b>	Plastic material (IXEF)
<b>Seals:</b>	NBR
<b>Lubricant:</b>	Not required.
<b>Earthing contact:</b>	Part of the standard device.
<b>Operating medium:</b>	5 micron filtered, lubricated or non-lubricated compressed air.

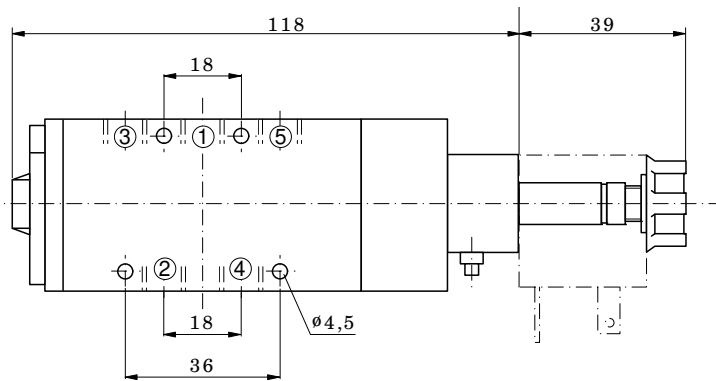


### Other information

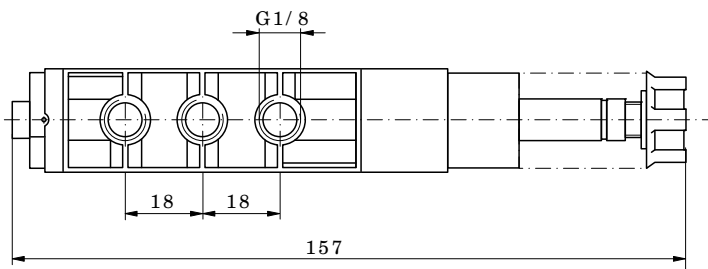
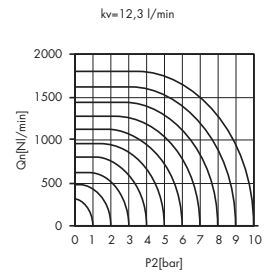
Subplates are available for this product, see data sheet M1001.  
 Order coils & connecting plugs separately, see data sheet M1002.

Symbol	Description	Type	Orifice	Ports	Order code
	5/2 way spring return	Poppet	6mm	G1/8	<b>76.127.91.00</b>
	5/2 way spring return	Spool	6mm	G1/8	<b>76.123.91.00</b>

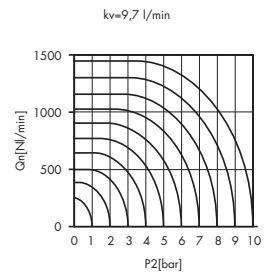
### Dimensional drawings



Flow rate orifice 6mm poppet type



Flow rate orifice 6mm spool type



# Solenoid Operated Pneumatic Valves

## 5/2 Way Single Solenoid Control Valve G1/8 Ports

### Technical information

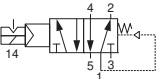
<b>Pressure range:</b>	2.5-10 bar
<b>Temperature range:</b>	-15°C...+50°C
<b>Housing:</b>	Die cast and lacquered aluminium alloy
<b>Seals:</b>	NBR
<b>Lubricant:</b>	Not required
<b>Earthing contact:</b>	Part of the standard device.
<b>Operating medium:</b>	5 micron filtered, lubricated or non-lubricated compressed air



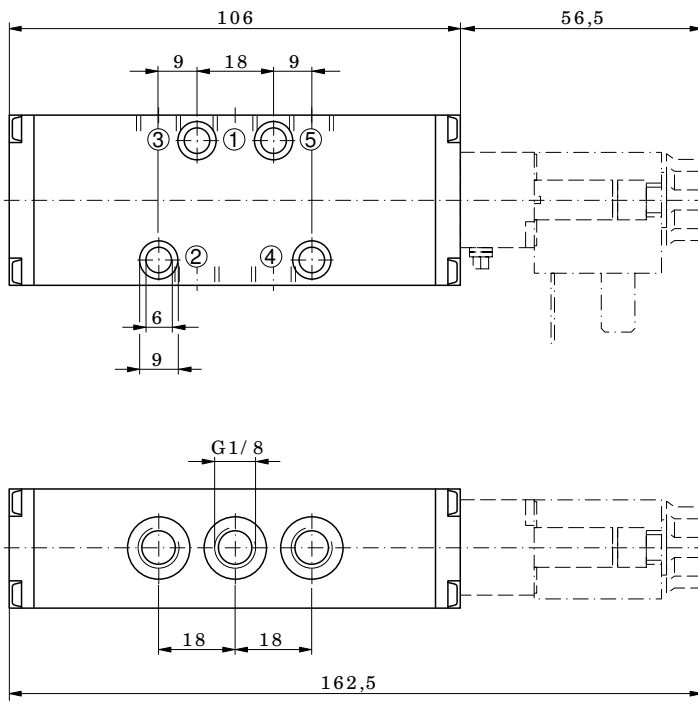
### Other information



For ATEX certification use suffix code "EX" for example 76.XXX.XX.XX.EX  
For NPT ports use prefix code "75" for example 75.XXX.XX.XX  
Order coils & connecting plugs separately, see data sheet M1002.

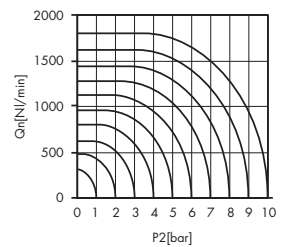
Symbol	Description	Type	Orifice	Ports	Order code
	5/2 way spring return	Poppet	6mm	G1/8	<b>76.027.91.00</b>
	5/2 way spring return	Spool	6mm	G1/8	<b>76.023.91.00</b>

### Dimensional drawings



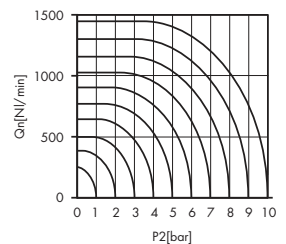
Flow rate orifice 6mm poppet type

$k_v=12,3$  l/min



Flow rate orifice 6mm spool type

$k_v=9,7$  l/min



# Solenoid Operated Pneumatic Valves

## 5/2 Way Single Solenoid Control Valve G1/4 Ports

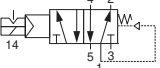
### Technical information

<b>Pressure range:</b>	2.5-10 bar
<b>Temperature range:</b>	-15°C...+50°C
<b>Housing:</b>	Glass fibre reinforced PPA
<b>Seals:</b>	NBR
<b>Lubricant:</b>	Not required
<b>Earthing contact:</b>	Part of the standard device.
<b>Operating medium:</b>	5 micron filtered, lubricated or non-lubricated compressed air.

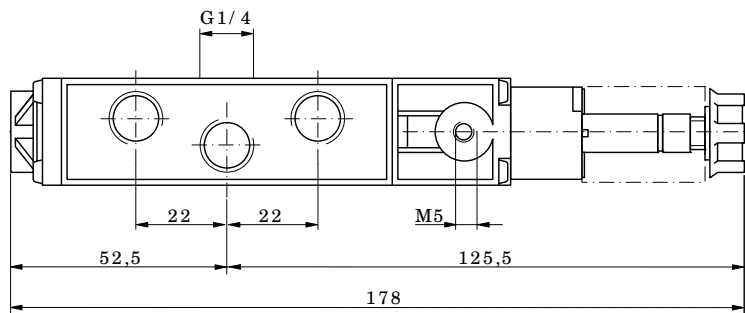
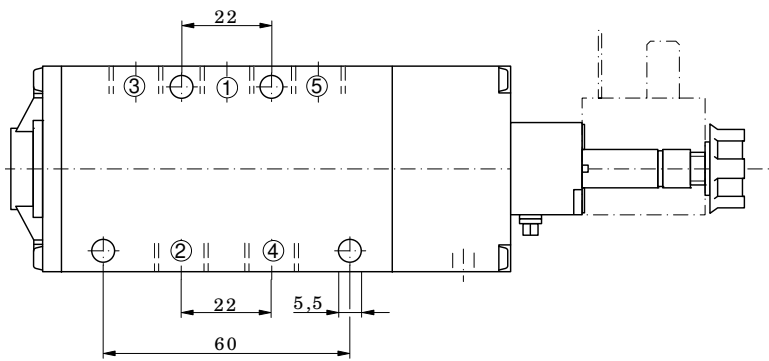


### Other information

For NPT ports use prefix code "75" for example 75.XXX.XX.XX  
 Order coils & connecting plugs separately, see data sheet M1002.

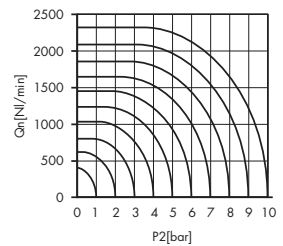
Symbol	Description	Type	Orifice	Ports	Order code
	5/2 way spring return	Poppet	8mm	G1/4	<b>76.147.91.00</b>
	5/2 way spring return	Spool	8mm	G1/4	<b>76.143.91.00</b>

### Dimensional drawings



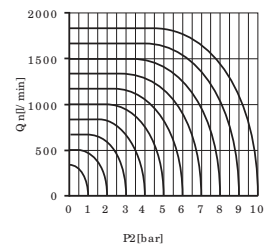
Flow rate orifice 8mm poppet type

kv=15,8 l/min



Flow rate orifice 8mm spool type

kv=12,40 l/min



# Solenoid Operated Pneumatic Valves

## 5/2 Way Single & Double Solenoid Control Valve G1/2 Ports

### Technical information

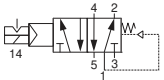
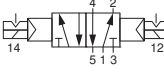
<b>Pressure range:</b>	2.5-10 bar
<b>Temperature range:</b>	-15°C...+50°C
<b>Housing:</b>	Lacquered aluminium alloy
<b>Seals:</b>	NBR
<b>Lubricant:</b>	Not required
<b>Earthing contact:</b>	Part of the standard device.
<b>Operating medium:</b>	5 micron filtered, lubricated or non-lubricated compressed air



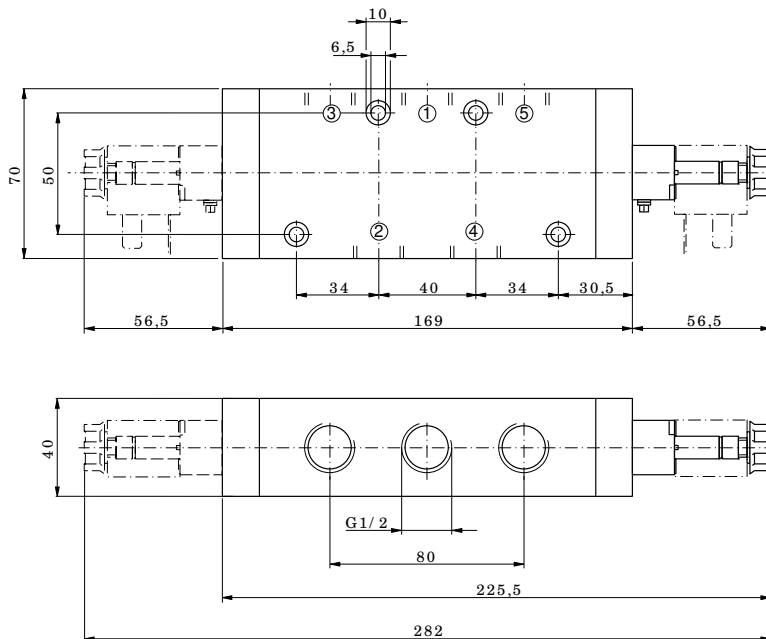
### Other information



For ATEX certification use suffix code "EX" for example 76.XXX.XX.XX.EX  
For NPT ports use prefix code "75" for example 75.XXX.XX.XX  
Order coils & connecting plugs separately, see data sheet M1002.

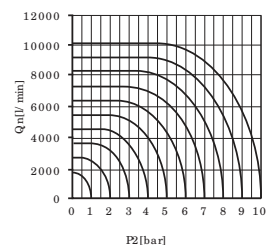
Symbol	Description	Type	Orifice	Ports	Order code
	5/2 way spring return	Poppet	15mm	G1/2	<b>76.067.91.00</b>
	5/2 way double solenoid	Poppet	15mm	G1/2	<b>76.067.92.00</b>

### Dimensional drawings



Flow rate orifice 15mm poppet type

$k_v=68,80 \text{ l/min}$



# Solenoid Operated Pneumatic Valves

## 5/2 Way Single & Double Solenoid Control Valve G1/2 Ports

### Technical information

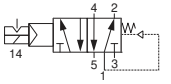
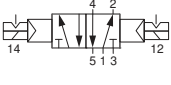
<b>Pressure range:</b>	2.5-10 bar
<b>Temperature range:</b>	-15°C...+50°C
<b>Housing:</b>	Lacquered aluminium alloy
<b>Seals:</b>	NBR
<b>Lubricant:</b>	Not required
<b>Earthing contact:</b>	Part of the standard device.
<b>Operating medium:</b>	5 micron filtered, lubricated or non-lubricated compressed air



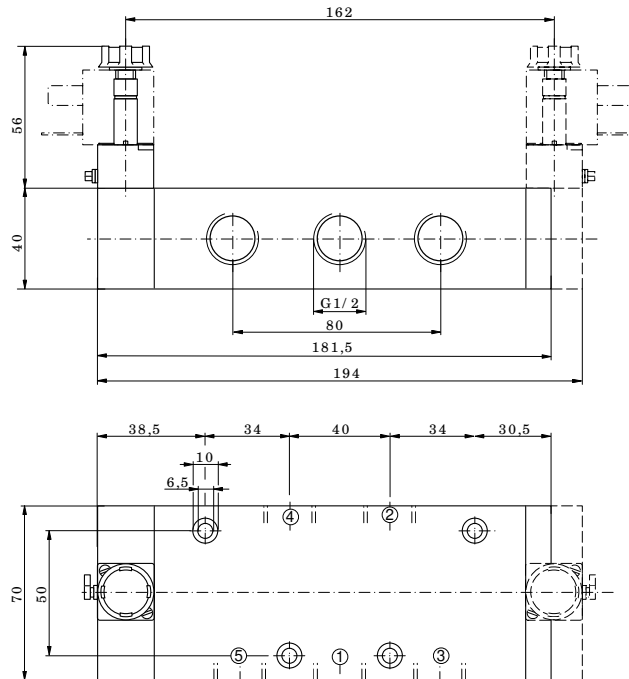
### Other information



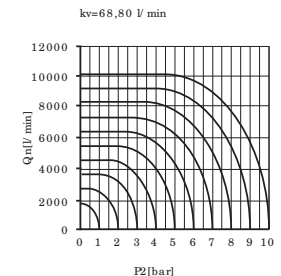
For ATEX certification use suffix code "EX" for example 76.XXX.XX.XX.EX  
For NPT ports use prefix code "75" for example 75.XXX.XX.XX  
Order coils & connecting plugs separately, see data sheet M1002.

Symbol	Description	Type	Orifice	Ports	Order code
	5/2 way spring return	Poppet	15mm	G1/2	<b>76.067.94.00</b>
	5/2 way double solenoid	Poppet	15mm	G1/2	<b>76.067.95.00</b>

### Dimensional drawings



Flow rate orifice 15mm poppet type



# Solenoid Operated Pneumatic Valves

## 5/2 Way Single Solenoid Control Valve G1/8 Ports

### Technical information

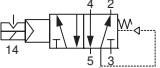
<b>Pressure range:</b>	2.5-10 bar
<b>Temperature range:</b>	-15°C...+50°C
<b>Housing:</b>	Die cast and lacquered aluminium alloy
<b>Seals:</b>	NBR
<b>Lubricant:</b>	Not required
<b>Earthing contact:</b>	Part of the standard device.
<b>Operating medium:</b>	5 micron filtered, lubricated or non-lubricated compressed air



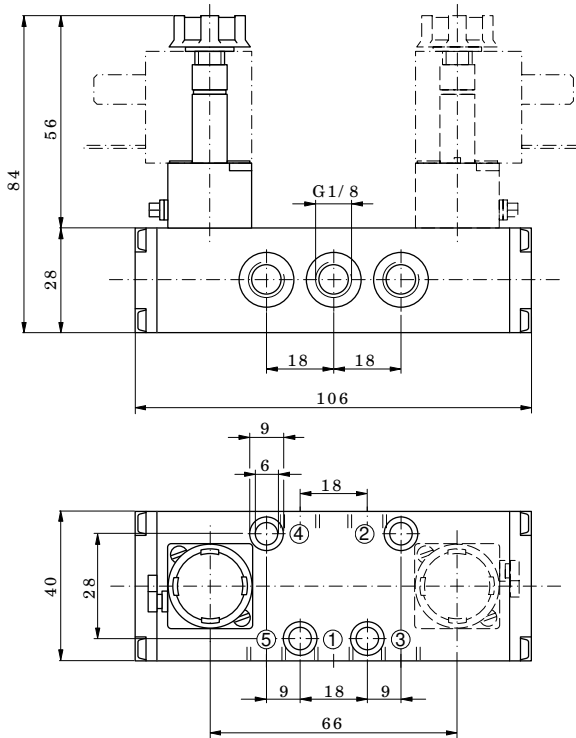
### Other information



For ATEX certification use suffix code "EX" for example 76.XXX.XX.XX.EX  
For NPT ports use prefix code "75" for example 75.XXX.XX.XX  
Order coils & connecting plugs separately, see data sheet M1002.

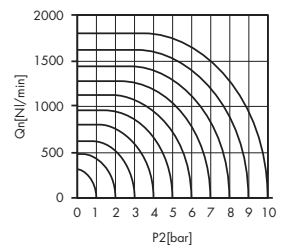
Symbol	Description	Type	Orifice	Ports	Order code
	5/2 way spring return	Poppet	6mm	G1/8	<b>76.027.94.00</b>
	5/2 way spring return	Spool	6mm	G1/8	<b>76.023.94.00</b>

### Dimensional drawings



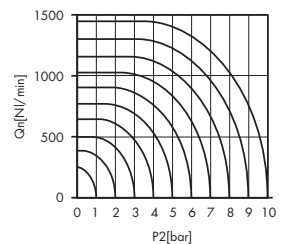
Flow rate orifice 6mm poppet type

$k_v=12,3 \text{ l/min}$



Flow rate orifice 6mm spool type

$k_v=9,7 \text{ l/min}$



# Solenoid Operated Pneumatic Valves

## 5/2 Way Single Solenoid Control Valve G1/4 Ports

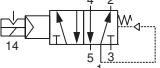
### Technical information

<b>Pressure range:</b>	2.5-10 bar
<b>Temperature range:</b>	-15°C...+50°C
<b>Housing:</b>	Glass fibre reinforced PPA
<b>Seals:</b>	NBR
<b>Lubricant:</b>	Not required
<b>Earthing contact:</b>	Part of the standard device.
<b>Operating medium:</b>	5 micron filtered , lubricated or non-lubricated compressed air.

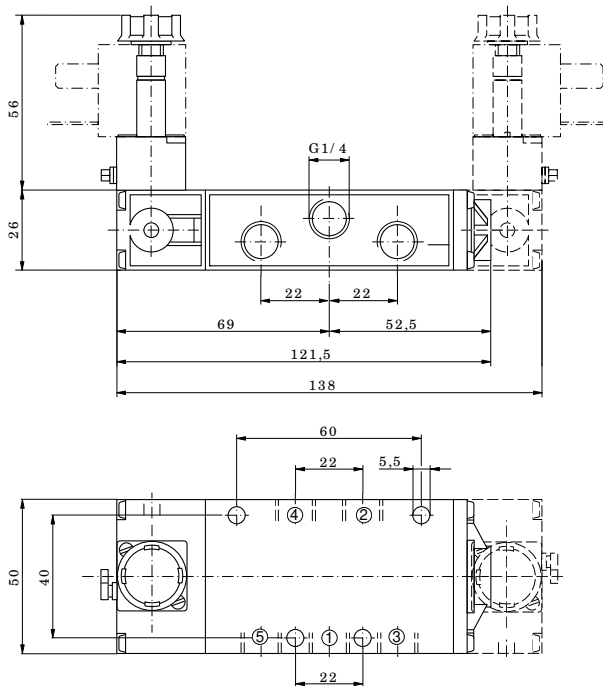


### Other information

For NPT ports use prefix code "75" for example 75.XXX.XX.XX  
Order coils & connecting plugs separately, see data sheet M1002.

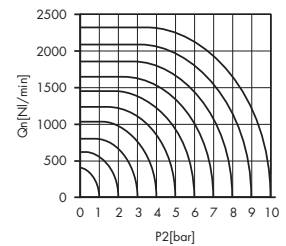
Symbol	Description	Type	Orifice	Ports	Order code
	5/2 way spring return	Poppet	8mm	G1/4	<b>76.147.94.00</b>
	5/2 way spring return	Spool	8mm	G1/4	<b>76.143.94.00</b>

### Dimensional drawings



Flow rate orifice 8mm poppet type

$k_v=15,8 \text{ l/min}$



Flow rate orifice 8mm spool type

$k_v=12,40 \text{ l/min}$

