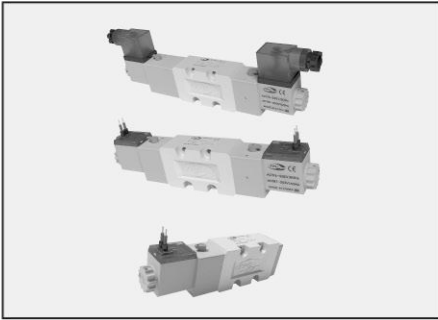


# RDSN3000 Series

5 Port solenoid valve (Pilot type, flange type 1/8" - 2")

Directional  
Control Valve

RDSN3000 Series



- Easy coil replacement
- Eligible for pneumatic actuator exclusive valve
- Large flow capacity
- RoHs compliant

## How to order

RDSN **3 1 0 0** — **1 G** — **02** — **XWL\*\***

1 2 3     
 4 5     
 6     
 7

**1** RDSN3000 series

**2** Configuration

- 1 : Single
- 2 : Double
- 3 : Closed center
- 4 : Exhaust center
- 5 : Pressure center

**3** Mounting

- 0 : Base mounted

**4** Voltage

- 1 : AC110V, 50/60Hz
- 2 : AC220V, 50/60Hz
- 3 : AC120V, 50/60Hz
- 4 : AC240V, 50/60Hz
- 5 : DC24V
- 6 : DC12V
- 8 : AC24V, 50/60Hz
- 9 : DC100V

**5** Electrical entry

- G : Grommet (Lead wire : 400mm)
- D : DIN terminal
- DZ : DIN terminal without lamp and surge voltage suppressor mounted
- N : DIN terminal without connector

**6** Port size (Rc) (sup cyl')

- 02 : Rc(PT)1/4

**7** Lead wire

- Blank : 400mm
- XWL01 : 100mm
- XWL02 : 200mm

XWL20 : 2000mm

Note) Push & lock type is the standard for Manual operation.



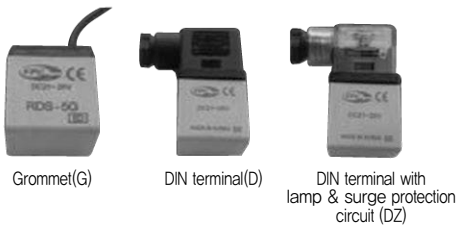
Grommet(G)



DIN terminal(D)



DIN terminal with  
lamp & surge  
voltage suppressor (DZ)



## How to order

RDC **1** **G** — **XWL\*\***

1
2
3
4

### 1 RDC series

### 2 Voltage

- 1 : AC110V, 50/60Hz
- 2 : AC220V, 50/60Hz
- 3 : AC120V, 50/60Hz
- 4 : AC240V, 50/60Hz
- 5 : DC24V
- 6 : DC12V
- 8 : AC24V, 50/60Hz
- 9 : DC100V

### 3 Electrical entry

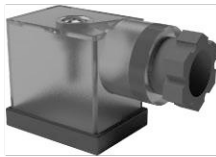
- G : Grommet (Lead wire : 400mm)
- D : DIN terminal
- DZ : DIN terminal without lamp and surge voltage suppressor mounted
- N : DIN terminal without connector

### 4 Lead wire

- Blank : 400mm
- XWL01 : 100mm
- XWL02 : 200mm
- .
- .
- .
- XWL20 : 2000mm

Note) Push & lock type is the standard for Manual operation.

## How to order terminal box



TVF3130-61-2005

Suffix Symbol

1

### 1 Suffix Symbol

Symbol	Voltage
①	AC110V, 50/60Hz
②	AC220V, 50/60Hz
③	AC120V, 50/60Hz
④	AC240V, 50/60Hz
⑤	DC24V
⑥	DC12V
⑧	AC24V, 50/60Hz
⑨	DC100V

## Specifications

Fluid		Air
Action		Pilot type
Operating pressure range (MPa)	2 position single, 3 position	0,15~1,0MPa(0,2~1,0kgf/cm <sup>2</sup> )
	2 position double	0,1~1,0MPa
Operating temp. range (°C)		5 to 50 °C (Anti-freezing)
Response time	2 position single, double	30 ms or less
	3 position	40 ms or less
Max. operating frequency	2 position single, double	5 c/s
	3 position	3 c/s
Lamp (LED)		Standard
Manual operation		Push & lock (Standard)
Electrical entry		Grommet (G), DIN terminal (DZ)
Lubrication		Non-lube
Voltage	AC(50/60)Hz	110V, 220V, 120V, 240V, 24V
	DC	24V, 12V, 100V
Volt-ampere	Volt-ampere (AC)	5,0VA(50Hz), 4,0VA(60Hz)
	Power consumption (DC)	3,0 / 3,2 W (lamp mounted)

## Option

Part Name	Part no.	Application
Silencer	SN200-02	Rc(PT)1/4

## Specifications

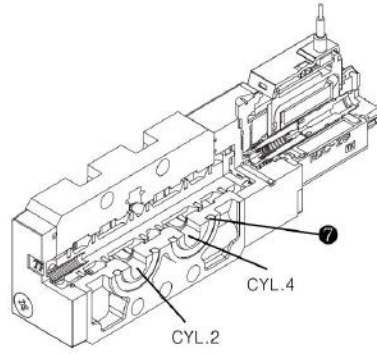
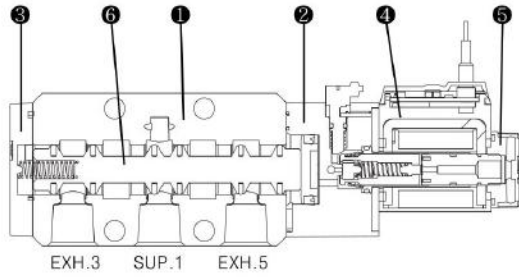
Mounting	Part no.	Configuration	Port size (Rc) Note <sup>1</sup> (SUP, CYL)	Effective area(Cv) mm <sup>2</sup> (Cv value)	Weight (kg) <sup>2</sup> (kgf)
Body ported	RDS3130-00-02	2 position single	Rc(PT)1/4	21(1,2)	0,26
	RDS3230-00-02	2 position double		21(1,2)	0,37
	RDS3330-00-02	3 position closed center		18(1,0)	0,38
	RDS3430-00-02	3 position exhaust center		21(1,2)	0,38
	RDS3530-00-02	3 position pressure center		25(1,4)	0,38

Note1) Exhaust Port (R1, R2) is Rc (PT) 1/8

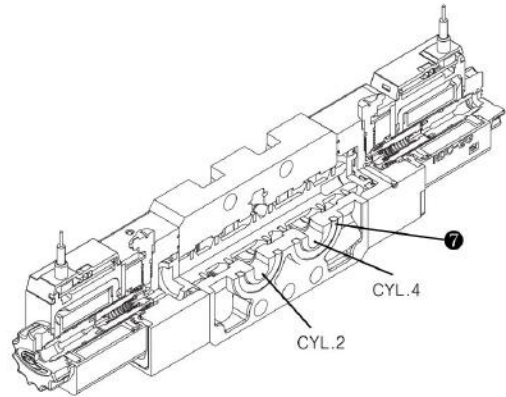
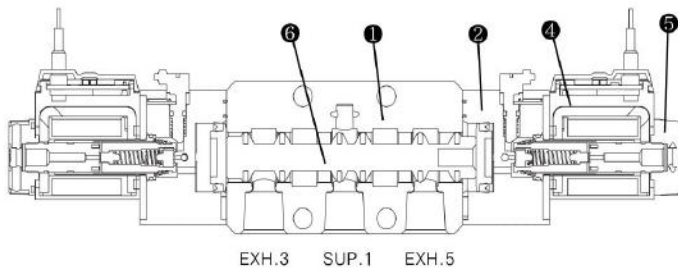
Note2) Exhaust effective area(Cv) can be slightly different from supply Effective area(Cv). Also, there can be a difference in speed due to Exhaust types of RDS 3230 and 3430.

## Structure / Part LIST

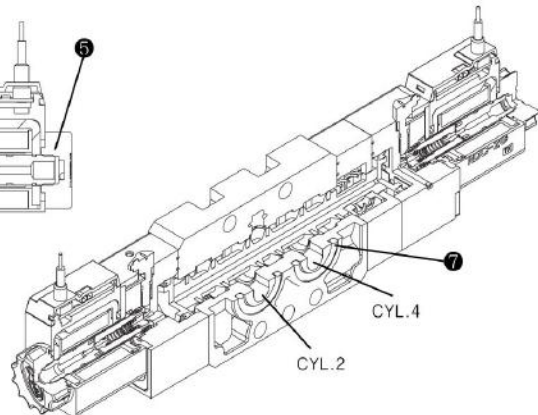
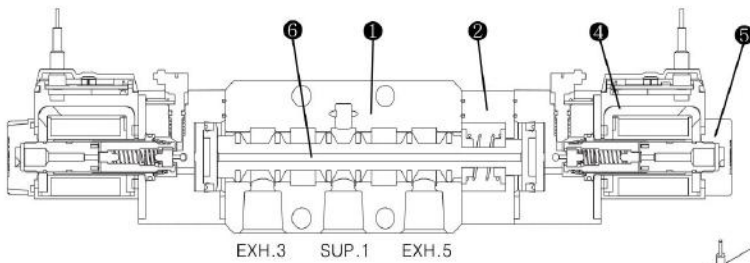
### Single Solenoid



### Double Solenoid



### 3-Position Solenoid



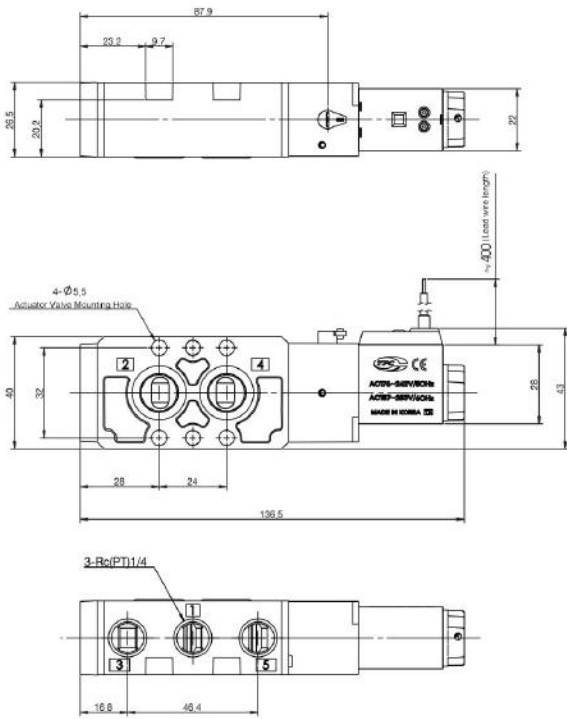
### Major Parts

#	Part Name	Material	Note
①	Body	Aluminum die casting	White painted
②	Adapter Plate A	Resin	
③	End Cover	Resin	
④	Coil Ass'y	-	
⑤	Core Fixed Nut	Resin	
⑥	Spool	Aluminum	
⑦	Body Gasket	NBR	

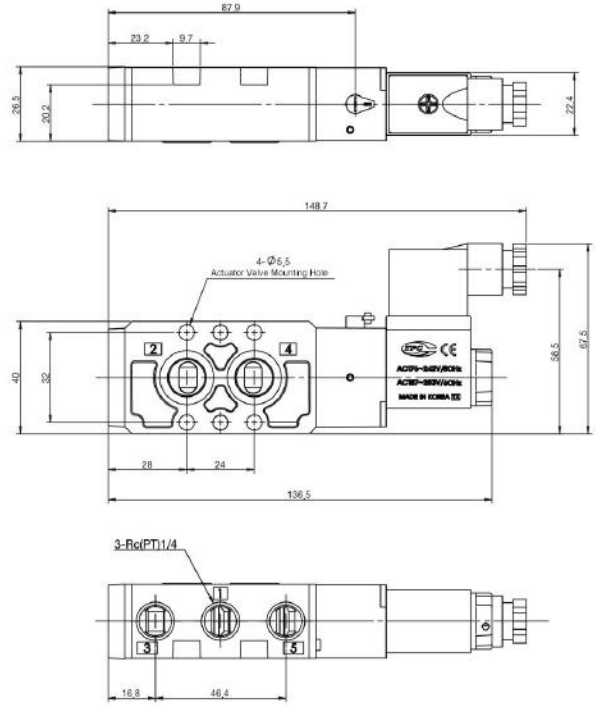
# RDSN3000 Series

## Direct Piping Type / 2-Position Single Solenoid

Grommet / RDSN3100-OG

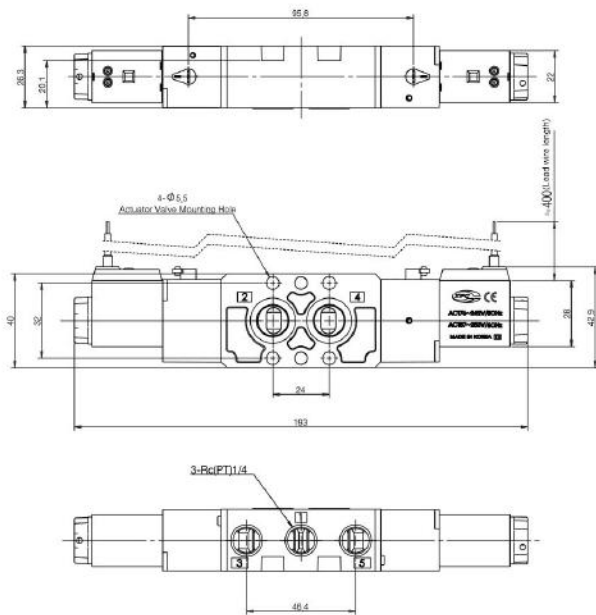


DIN Type Terminal / RDSN3100-OD(DZ)

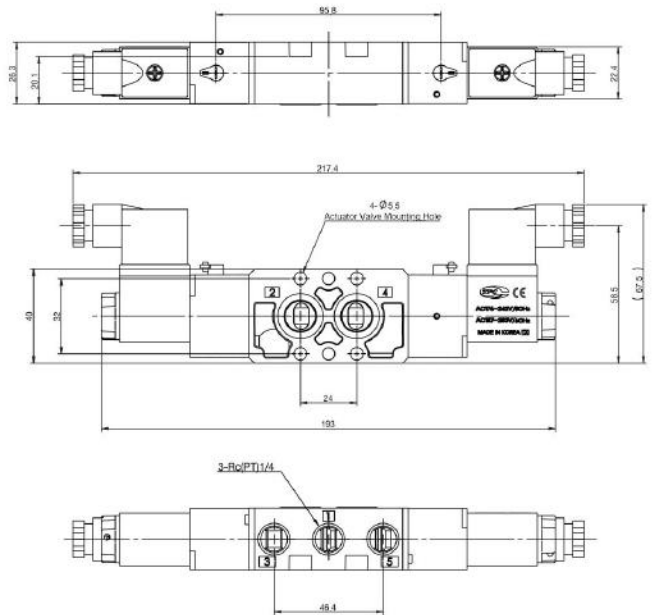


## Direct Piping Type / 2-Position Double Solenoid

Grommet / RDSN3200-OG



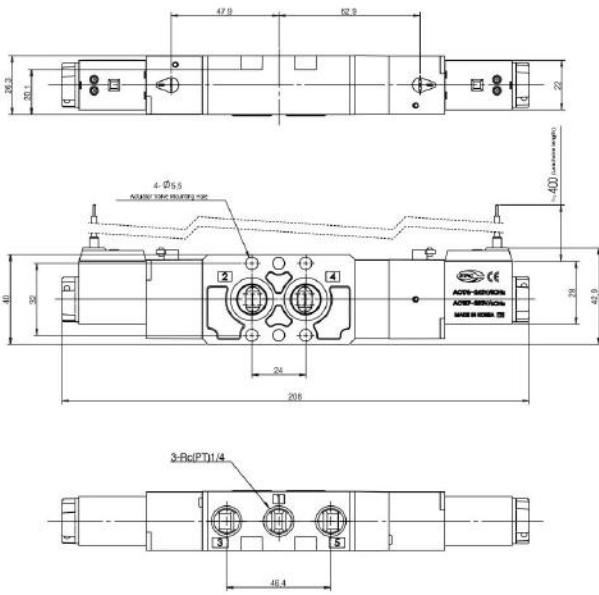
DIN Type Terminal / RDSN3200-OD(DZ)



# 5-port pilot type solenoid valve **RDSN3000 Series**

Direct Piping Type/3-Position Solenoid

Grommet / RDSN3000-OG



DIN type terminal / RDSN3000-OD(DZ)

