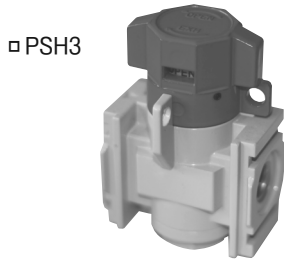
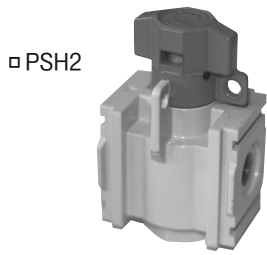


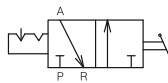
# Series PSH

## Accessories Modular Shut-off Valve

- Modular type, easy combination with F.R.L units
- Prevents a mistakes by lock function in exhaust
- Improved exhausting time



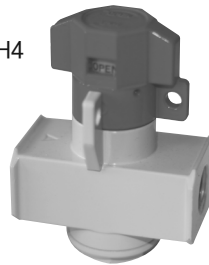
Symbol



### Standard Specifications

Type	PSH2		PSH3		PSH4		PSH5	
Tube Port Size	1/8"	1/4"	1/4"	3/8"	3/8"	1/2"	3/4"	1"
Rc(PT), NPT, G(PF)								
Exhaust Port Size	1/8"		1/4"		3/8"		1/2"	
Rc(PT), NPT, G(PF)								
Supply Effective Area (mm <sup>2</sup> )	12	14	30	57	63	106	267	370
Exhaust Effective Area (mm <sup>2</sup> )	11	16	16	30	32	51	98	120
Proof Pressure (MPa)	1.5							
Max. Operating Pressure (MPa)	1.0							
Ambient Temperature (°C)	-5 ~ 60 (Non-Freezing)							
Angle of Knob Operation	90°							
Weight (g)	324		312		406		990	

□ PSH4



□ PSH5



### How to Order

**PSH 4 — \* 04 — \***

Series (Shut-out V/V) — PSH

Type of Series — 4

2	PC2 Series	4	PC4 Series
3	PC3 Series	5	PC5 Series

Thread — \*

Blank	Rc(PT)
N	NPT
G	G(PF)

Option — \*

Blank	None
B	Clamp spacer kit (Note)

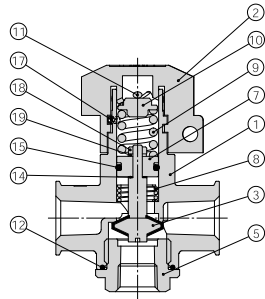
(Note) Separately packed, Not assembled

Port Size — 04

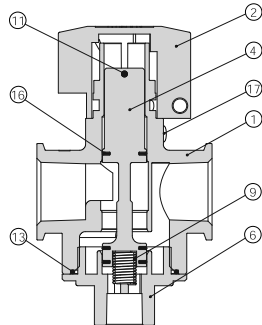
01	1/8	PC2 Series
02	1/4	PC2, 3 Series
03	3/8	PC3, 4 Series
04	1/2	PC4 Series
06	3/4	PC5 Series
10	1	PC5 Series

## Series PSH

### Construction



PSH 2, 3, 4 Series

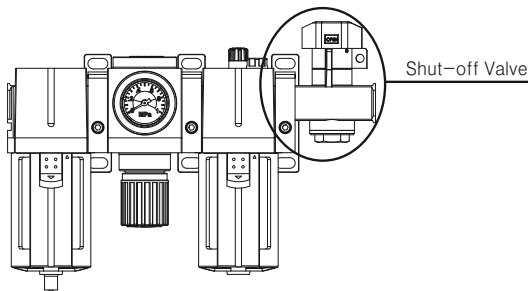


PSH 5 Series

### Main Parts List

NO.	Description	Material	Note
①	Body	Zinc	PSH2
		Aluminum	PSH3,4,5
②	Handle	Zinc	
③	Poppet Valve	Brass+NBR	
④	Spool	Aluminum	
⑤	Poppet Valve Guide	Zinc	
⑥	Spool Guide	Zinc	
⑦	Piston	Brass	
⑧	Poppet Valve Spring	Stainless Steel	
⑨	Spring	Piano Wire	
⑩	Spring Holder	Free Cutting Steel	
⑪	Parallel Pin	Free Cutting Steel	
⑫	Poppet Valve Guide Gasket	NBR	
⑬	Spool Guide Gasket	NBR	
⑭	Washer	NBR	
⑮	Piston Packing	NBR	
⑯	Spool Packing	NBR	
⑰	Handle Stopping Screw	Carbon Steel	
⑱	Poppet Valve Nut	Carbon Steel	
⑲	Poppet Valve Washer	Stainless Steel	

### Combination



※ A Shut-off Valve has to be connected to the outlet side of FRL units.

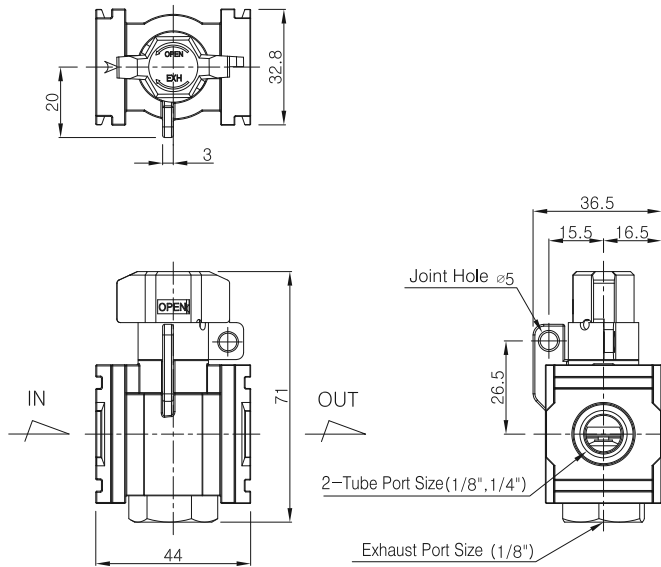
### Cautions

- ① "P" of "▷" mark which refers to input of compressed air is a inlet, and A port of oppsite side is outlet.
- ② Do not add pressure except P port, It causes a malfunction, R port which is right-angled direction is a outlet port, Please connect them with caution. It causes a malfunction.
- ③ A malfunction and air leak might be caused unless a handle will be stopped halfway, so conversion has to be done immediately. Please change the handle surely.
- ④ Do not remove attached screw on the handle. It causes a malfunction by omission off the screw.

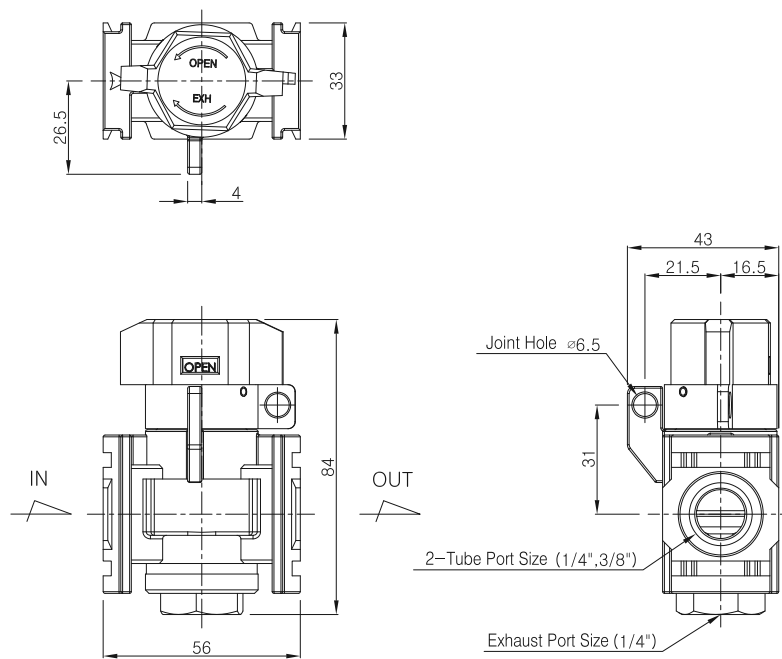
- PC2
- PF2
- PR2
- PL2
- PP2
- PC3
- PF3
- PR3
- PL3
- PP3
- PC4
- PF4
- PR4
- PL4
- PP4
- PC5
- PF5
- PR5
- PL5
- PP5
- PFH(U)2~PFH(U)5
- PPH(U)3~PPH(U)4
- PLV
- PSH**
- PCV
- MB

## Series PSH

### PSH2 Dimensions

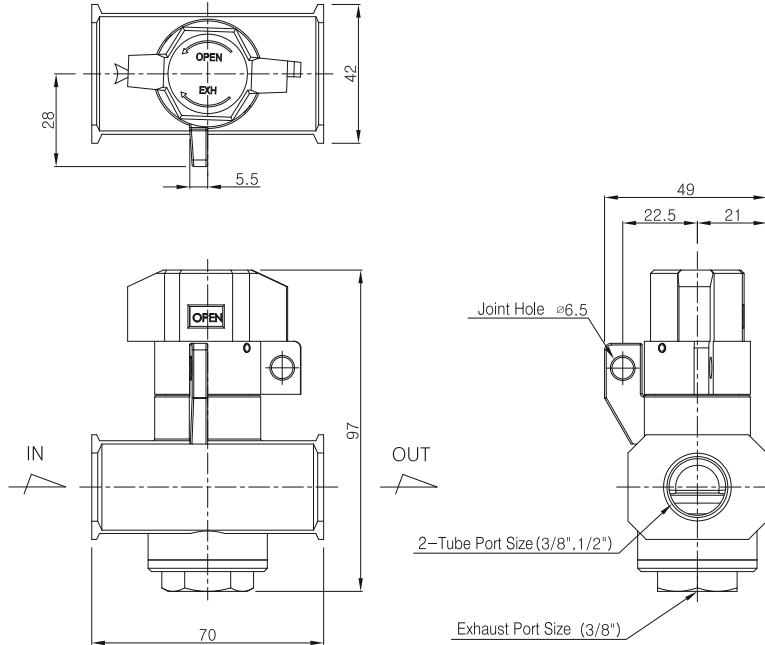


### PSH3 Dimensions

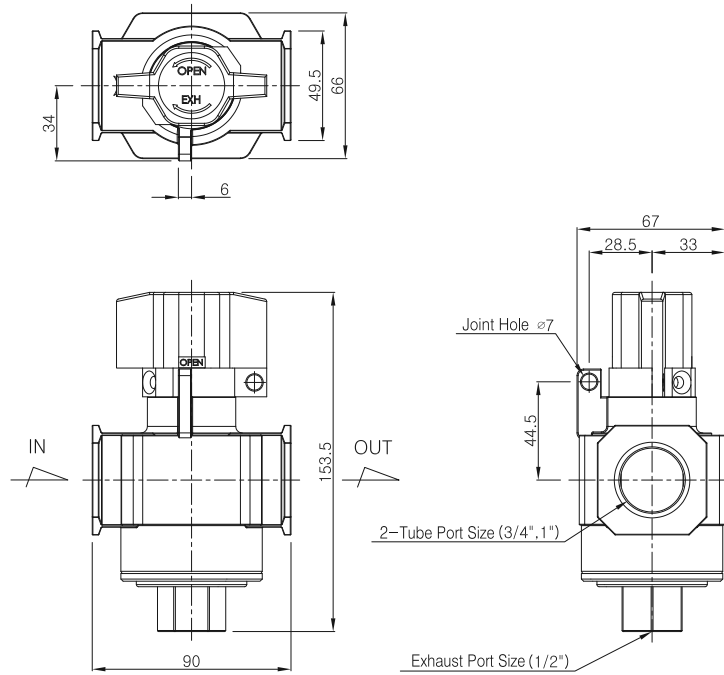


## Series PSH

### PSH4 Dimensions



### PSH5 Dimensions



PC2
PF2
PR2
PL2
PP2
PC3
PF3
PR3
PL3
PP3
PC4
PF4
PR4
PL4
PP4
PC5
PF5
PR5
PL5
PP5
PFH(U)2~ PFH(U)5
PPH(U)3~ PPH(U)4
PLV
<b>PSH</b>
PCV
MB