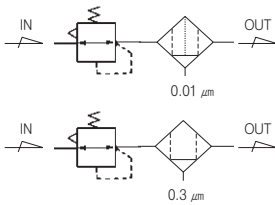


Series PPH(U)3, PPH(U)4

Piggyback Coalescing Filter 1/4", 3/8" and 1/2"



PAT



Standard Specifications

Series	PPH/PPU3	PPH/PPU4
Max. Operating Pressure (MPa)	1 (140psi)	
Proof Pressure (MPa)	1.5(200psi)	
Set Pressure	Standard	0.05 ~ 1.0(7~140psi)
Range(MPa)	Madd to Order Specifications	0.05~1.2(7~170psi) 0.05~1.5(7~200psi)
Ambient and Fluid Temperature (°C)	-5 ~ 60(7~140psi) (Non-freezing)	
Flow Capacity (N ℓ /min) ※	1/4" and 3/8" - 300(11scfm)	3/8" and 1/2" - 800(28scfm)
Filtration (μm)	PPH : 0.3, PPU : 0.01	
Construction	Relieving Style	
Bowl Material	Polycarbonate	
Bowl Guard Material	Nylon	
Drain	Manual	38(1.28oz) 56(1.89oz)
	Auto	30(1.01oz) 68(2.3oz)
Capacity (cm ³)		
Weight (kg)	0.49(1.08oz)	0.74(1.63oz)

※ Test conditions : Supply pressure 0.7MPa(100psi), pre-set pressure 0.6MPa(90psi)

How to Order

PPH 4 — * 04 B D G — *

Piggyback Coalescing Filter

PPH	HEPA Filter (Filtration 0.3μm)
PPU	Ultra Filter (Filtration 0.01μm)

Series

3	PC3 Series
4	PC4 Series

Thread

Blank	Rc(PT)
N	NPT
G	G(PF)

Port Size

02	1/4	PC3 Series
03	3/8	PC3, 4 Series
04	1/2	PC4 Series

Bracket Option

Blank	None
B	Bracket + Panel Nut
B1	Panel Nut

Note2) Separately packed, Not assembled.

Other Option

Blank	Set at 0 to 1.0 MPa
12	Set at 0 to 1.2 MPa (PC3 Series)
15	Set at 0 to 1.5 MPa (PC4 Series)
E	Non-Relieving Type
R	Flow direction : Right→Left
T	Tamper Resistant Kit
XC16	Copper-free

Note1,2)

Note1) Refer to page 935 for Tamper Resistant Kit.
* If ordering more than one option, indicate symbols numerically then alphabetically Ex) 12RT
* Over Max. pressure value can be set.

Pressure Gauge

Symbol	Description	Pressure Range
Blank	None	
G	Integral Pressure Gauge (W/Limit Indicator)	1.0MPa
P	Pressure Range	1.0MPa
P2	Pressure Range	0.2MPa
P4	Pressure Range	0.4MPa

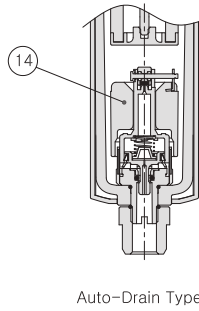
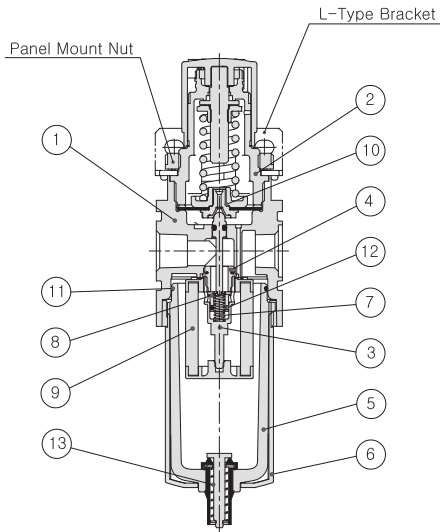
Drain Option

Blank	Manual Push Drain
D	Auto Drain (N.O Type)

Note3)

Note3) Min. operating pressure is 0.15MPa(20psi) for Auto Drain (N.O Type)

PPH3/PPU3 Construction



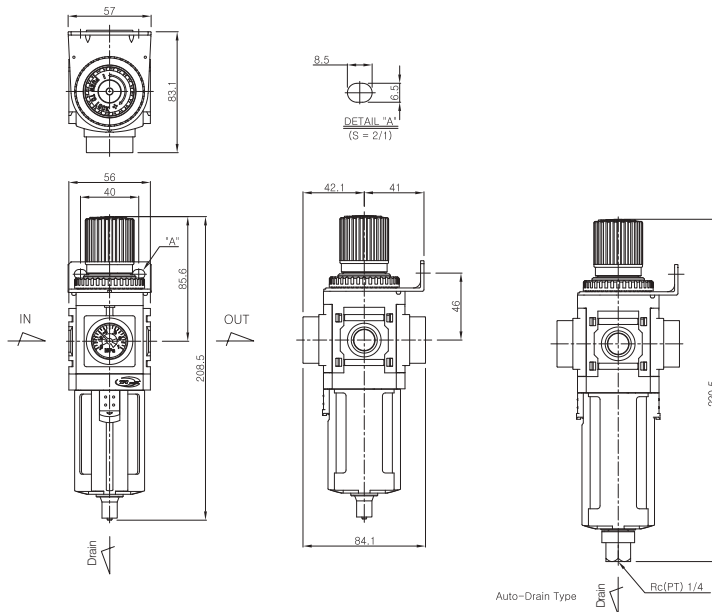
Main Parts/Parts List

NO.	Description	Material	Remark
①	Body	Aluminum	
②	Bonnet	Nylon	
③	Valve Guide	Aluminum	
④	Insert	Aluminum	
⑤	Bowl	Polycarbonate	
⑥	Bowl Guard	Nylon	
⑦	Valve Spring	Stainless Steel	

Replacement Parts/Parts List

NO.	Description	Material	Part No.
⑧	Valve ass'y	Brass+NBR	PPH3-08A001-01
⑨	Coalescing Filter Ass'y	-	PPH3000-005A-6081
⑩	Diaphragm Ass'y	Nylon+NBR	PR3-11A001-01
⑪	Bowl O-ring	NBR	PL3-04-001-01
⑫	Valve O-ring	NBR	S6-01
⑬	Drain Ass'y	-	TAF3000-10A-6004
⑭	Auto-Drain Ass'y	-	TAF3000-01A-6008

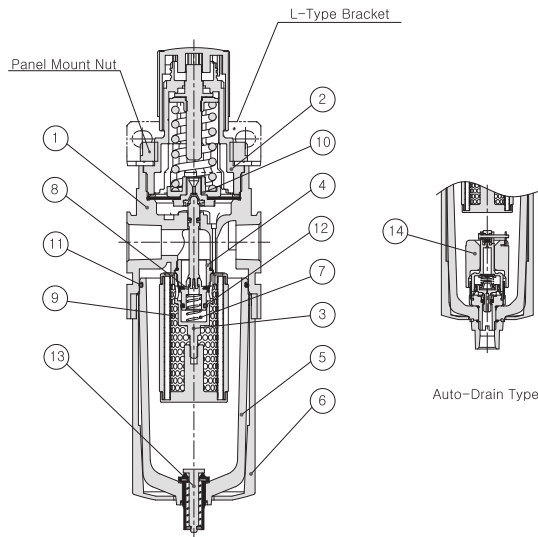
PPH3/PPU3 Dimensions



- PC2
- PF2
- PR2
- PL2
- PP2
- PC3
- PF3
- PR3
- PL3
- PP3
- PC4
- PF4
- PR4
- PL4
- PP4
- PC5
- PF5
- PR5
- PL5
- PP5
- PPH(U)2~
PFH(U)5
- PPH(U)3~
PPH(U)4
- PLV
- PSH
- PCV
- MB

Series PPH(U)3, PPH(U)4

PPH4/PPU4 Construction



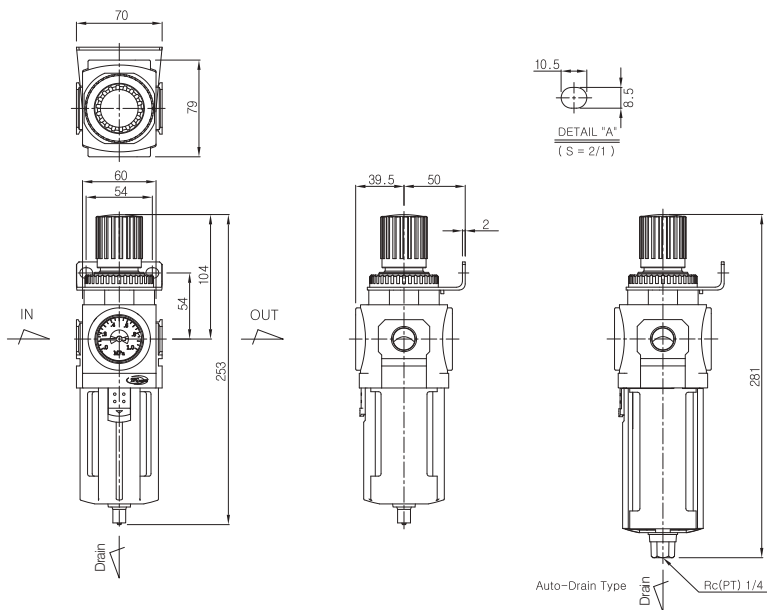
Main Parts/Parts List

NO.	Description	Material	Remark
①	Body	Aluminum	
②	Bonnet	Nylon	
③	Valve Guide	Aluminum	
④	Insert	Aluminum	
⑤	Bowl	Polycarbonate	
⑥	Bowl Guard	Nylon	
⑦	Valve Spring	Stainless Steel	

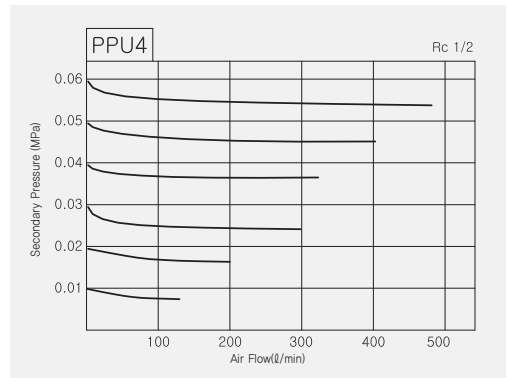
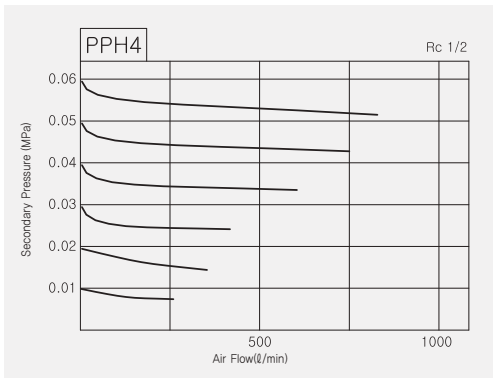
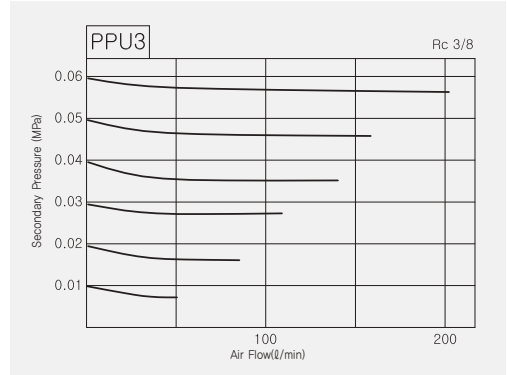
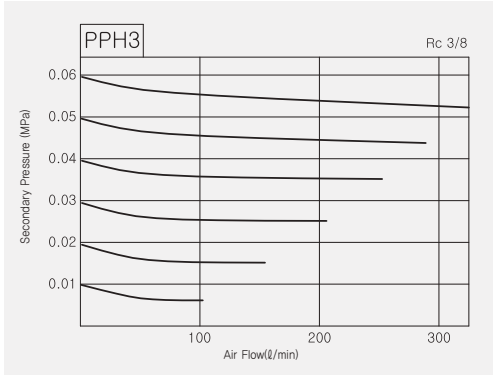
Replacement Parts/Parts List

NO.	Description	Material	Part No.
⑧	Valve Assy	Nylon+NBR	PP3-08A001-01
⑨	Coalescing Filter Assy	-	PPH4-24A030-01
⑩	Diaphragm Assy	Nylon+NBR	PR4-11A001-01
⑪	Bowl O-ring	NBR	TAF4000-08-6000
⑫	Valve O-ring	NBR	P10-01
⑬	Drain Assy	-	TAF3000-10A-6004
⑭	Auto-Drain Assy	-	TAF3000-01A-6008

PPH4/PPU4 Dimensions



■ Flow Characteristics



PC2

PF2

PR2

PL2

PP2

PC3

PF3

PR3

PL3

PP3

PC4

PF4

PR4

PL4

PP4

PC5

PF5

PR5

PL5

PP5

PFH(U)2~
PFH(U)5

PPH(U)3~
PPH(U)4

PLV

PSH

PCV

MB