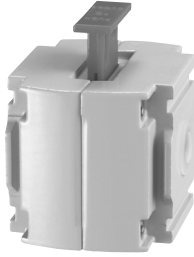


# Series *PLV*

## Accessories Modular Lock Out Valve

This valve provides a safety lockout to prevent accidental machine start-up. When the slider is shifted into the lockout position, inlet air is blocked and downstream air is exhausted to the atmosphere.

□ PLV2



□ PLV3



□ PLV4



□ PLV5



### Standard Specifications

Specifications	PLV2	PLV3	PLV4	PLV5
Port Size	1/8", 1/4"	1/4", 3/8"	3/8", 1/2"	3/4", 1"
Rc(PT), NPT, G(PF)				
Type of Exhaust	Silencer Exhaust			
Proof Pressure (MPa)	1.5(200psi)			
Max. Operating Pressure (MPa)	1.0(140psi)			
Regulating Range (MPa)	0.05~1.0(7~140psi)			
Ambient and Media Temperature (°C)	-5~60(23~140°F) (Non-freezing)			
Weight (kg)	0.1(0.22lb)	0.24(0.53lb)	0.38(0.84lb)	0.88(1.94lb)

### How to Order

**PLV 4 — \* 04 — \***

Series (Lock-out V/V) — PLV

Type of Series — 4

2	PC2 Series	4	PC4 Series
3	PC3 Series	5	PC5 Series

Thread — \*

Blank	Rc(PT)
N	NPT
G	G(PF)

Option — \*

Blank	None
B	Clamp spacer kit

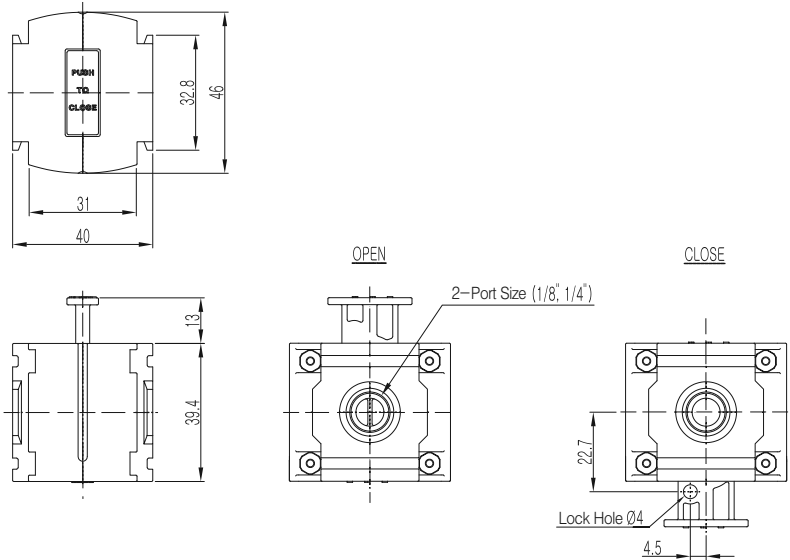
Note1) Separately packed, Not assembled.

Port Size — 04

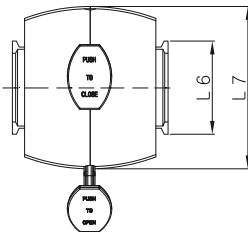
01	1/8	PC2 Series
02	1/4	PC2, 3 Series
03	3/8	PC3, 4 Series
04	1/2	PC4 Series
06	3/4	PC5 Series
10	1	PC5 Series

### Series PLV

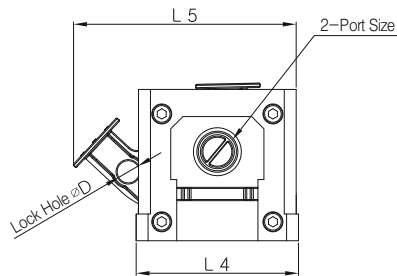
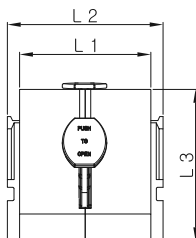
#### PLV2 Dimensions



#### PLV3, 4, 5 Dimensions



Series	Port Size Rc(P.T), NPT, G(PF)	Main Dimensions								Remarks
		L 1	L 2	L 3	L 4	L 5	L 6	L 7	D	
PLV3	1/4, 3/8	46	56	49	56	70.2	33	56	7.5	
PLV4	3/8, 1/2	59	70	68	73	100	41.9	71	10	
PLV5	3/4, 1	74	89	90	98	131.9	49.6	98	10	



- PC2
- PF2
- PR2
- PL2
- PP2
- PC3
- PF3
- PR3
- PL3
- PP3
- PC4
- PF4
- PR4
- PL4
- PP4
- PC5
- PF5
- PR5
- PL5
- PP5
- PFH(U)2~  
PFH(U)5
- PPH(U)3~  
PPH(U)4
- PLV**
- PSH
- PCV
- MB