

PER 1-2-3 Series

Precision regulator

Air preparation unit

PER 1-2-3 Series



- PER3 series(3/8 Size)
- Highly accurate pressure regulation
- Start-up stability
- Flow stability
- Automatic high downstream relief capacity
- Temperature stability

How to order

PER 3 — 03 B G — 4K

1 2 3 4 5 6 7

- | | | |
|--|---|--|
| <p>1 Precision Pressure Regulator</p> <p>2 Body size
1 : PER 1 (1/8)
2 : PER 2 (1/4)
3 : PER 3 (3/8)</p> <p>3 Thread
Blank : Rc(PT)
N : NPT
G : G(PF)</p> | <p>4 Port size
01 : 1/8 (PER1)
02 : 1/4 (PER2, PER3)
03 : 3/8 (PER3)
04 : 1/2 (PER3)</p> <p>5 Bracket
B : Bracket</p> | <p>6 Pressure gauge
Blank : No gauge
G : Pressure gauge</p> <p>7 Set pressure range
2K : 0.005~0.2 Mpa
4K : 0.01~0.4 Mpa
8K : 0.01~0.8 Mpa</p> |
|--|---|--|

How to order for bracket

PER 3 — B

1 2 3

- | |
|--|
| <p>1 Precision Pressure Regulator</p> <p>2 Body size
1 : PER 1 (1/8)
2 : PER 2 (1/4)
3 : PER 3 (3/8)</p> <p>3 Bracket</p> |
|--|

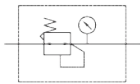
How to order for gauge

G33 — 4K

1 2

- | |
|---|
| <p>1 Diameter size
G33 : Ø33
G42 : Ø42</p> <p>2 Set pressure range
2K : 0.005~0.2 Mpa
4K : 0.01~0.4 Mpa
8K : 0.01~0.8 Mpa</p> |
|---|

Symbol



Specifications

Series	PER1	PER1	PER3	
	1/8	1/8	1/4	3/8 1/2
Port size	1/8	1/8	1/4	3/8 1/2
Fluid	Air	Air	Air	
Max.operating pressure	1.0 Mpa	1.0 Mpa	1.0 Mpa	
Min.operating pressure	Set pressure+0.05MPa	Set pressure+0.05MPa	Set pressure+0.05MPa	
Proof pressure	1.5 MPa	1.5 MPa	1.5 MPa	
Output pressure range(MPa)	2K : 0.005~0.2 Mpa	2K : 0.005~0.2 Mpa	2K : 0.005~0.2 Mpa	
	4K : 0.01~0.4 Mpa	4K : 0.01~0.4 Mpa	4K : 0.01~0.4 Mpa	
	8K : 0.01~0.8 MPa	8K : 0.01~0.8 MPa	8K : 0.01~0.8 MPa	
Sensitive	0.2% F.S	0.2% F.S	0.2% F.S	
Repeatability	±0.5% F.S	±0.5% F.S	±0.5% F.S	
Ambient and fluid temperature	-5 ~ +60°C (No freezing)	-5 ~ +60°C (No freezing)	-5 ~ +60°C (No freezing)	
Mounting	Bracket	Bracket	Bracket	
Option	Bracket, Gauge(G33)	Bracket, Gauge(G33)	Bracket, Gauge(G42)	
Weight(kg)	150g	150g	875g	

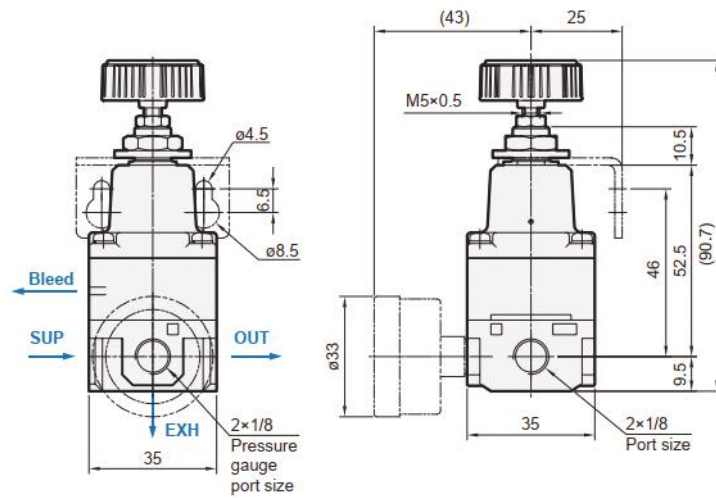
PER 1-2-3 Series

Precision regulator

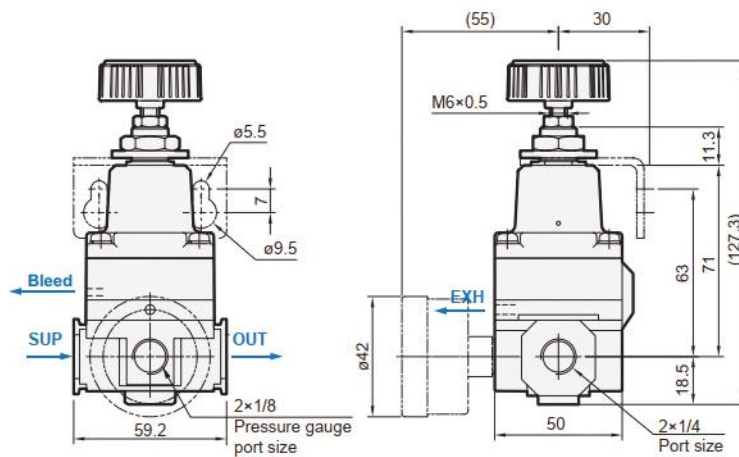
Air preparation unit

PER 1-2-3 Series

PER 1 Dimensions



PER 2 Dimensions



PER 3 Dimensions

