

Manually Operated Pneumatic Foot Pedal Valves

Pneumatic Foot Pedal Valve G1/8 - 3/2 Way

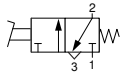
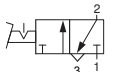
Technical information

Pressure range:	0-10 bar
Temperature range:	-15°C...+50°C
Housing:	Plastic polycarbonate
Seals:	NBR
Lubricant:	Not required
Operating medium:	5 micron filtered, lubricated or non-lubricated compressed air

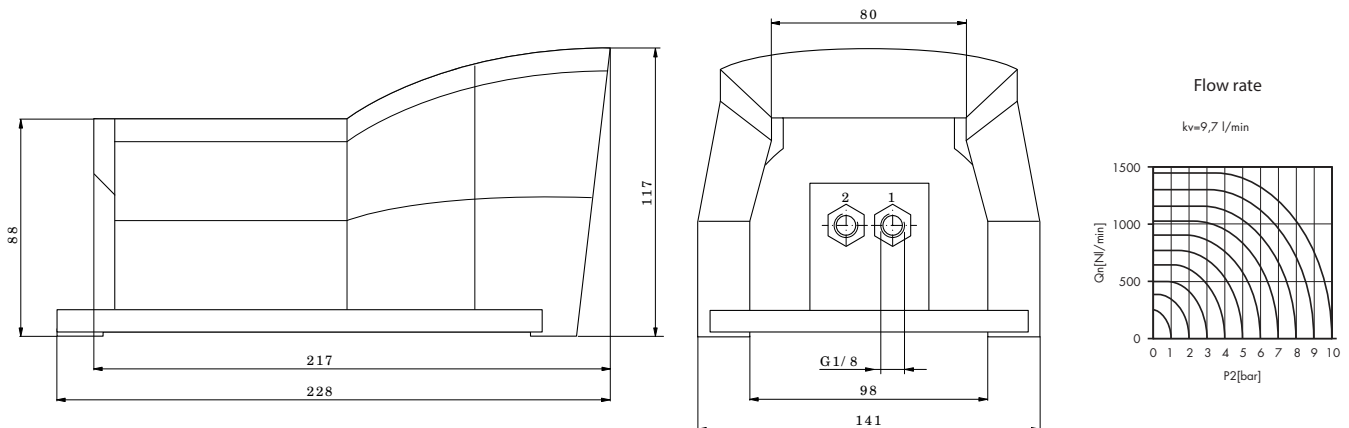


Other information

For NPT ports use prefix code "75" for example 75.XXX.XX.XX

Symbol	Description	Ports	Colour	Order code
	3/2 way spring return normally closed	G1/8	Yellow	76.026.68.21
	3/2 way spring return normally closed	G1/8	Blue	76.026.69.21
	3/2 way maintained position with latch	G1/8	Yellow	76.026.68.29
	3/2 way maintained position with latch	G1/8	Blue	76.026.69.29

Dimensional drawings



Manually Operated Pneumatic Foot Pedal Valves

Pneumatic Foot Pedal Valve G1/4 - 3/2 Way

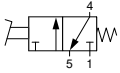
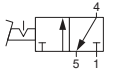
Technical information

Pressure range:	0-10 bar
Temperature range:	-15°C...+50°C
Housing:	Plastic polycarbonate
Seals:	NBR
Lubricant:	Not required
Operating medium:	5 micron filtered, lubricated or non-lubricated compressed air

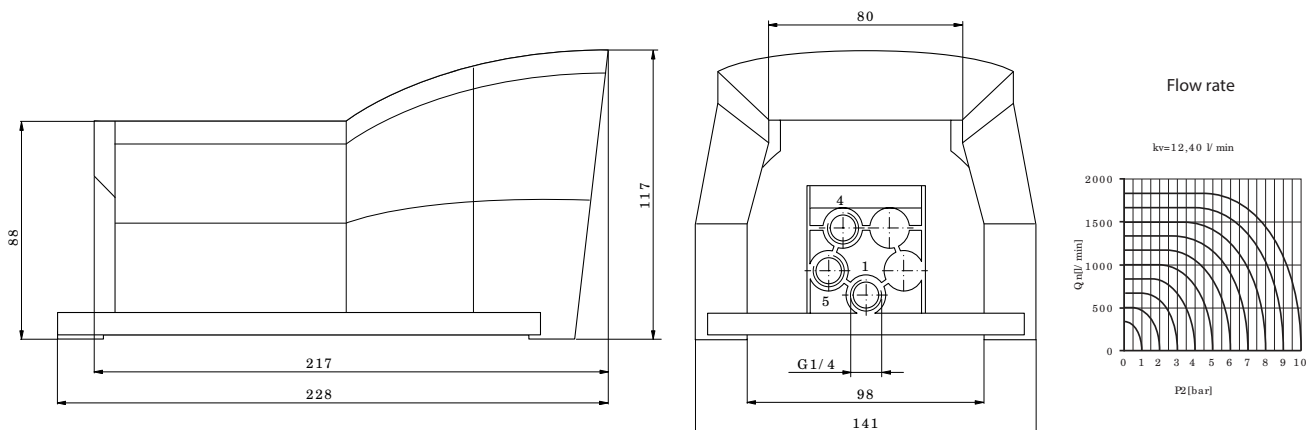


Other information

For NPT ports use prefix code "75" for example 75.XXX.XX.XX
Normally open versions available.

Symbol	Description	Ports	Colour	Order code
	3/2 way spring return normally closed	G1/4	Yellow	76.046.68.21
	3/2 way spring return normally closed	G1/4	Blue	76.046.69.21
	3/2 way maintained position with latch	G1/4	Yellow	76.046.68.29
	3/2 way maintained position with latch	G1/4	Blue	76.046.69.29

Dimensional drawings



Manually Operated Pneumatic Foot Pedal Valves

Pneumatic Foot Pedal Valve G1/4 - 5/2 Way

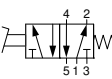
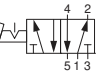
Technical information

Pressure range:	0-10 bar
Temperature range:	-15°C...+50°C
Housing:	Plastic polycarbonate
Seals:	NBR
Lubricant:	Not required
Operating medium:	5 micron filtered, lubricated or non-lubricated compressed air



Other information

For NPT ports use prefix code "75" for example 75.XXX.XX.XX

Symbol	Description	Ports	Colour	Order code
	5/2 way spring return	G1/4	Yellow	76.047.68.41
	5/2 way spring return	G1/4	Blue	76.047.69.41
	5/2 way maintained position with latch	G1/4	Yellow	76.047.68.49
	5/2 way maintained position with latch	G1/4	Blue	76.047.69.49

Dimensional drawings

