



C-JAC INDUSTRIAL CO.,LTD.(TaiWan)



C-JAC INDUSTRIAL CO.,LTD.(ShangHai)



C-JAC INDUSTRIAL CO.,LTD.(SuZhou)



C-JAC INDUSTRIAL CO.,LTD.

SHOCK ABSORBERS

CJAC

SHOCK ABSORBERS

Outstanding Motion Controls



10 Shock absorber

39 Shock absorber for log cabin

40 Hydraulic speed controller

44 Pilot check valve

46 Heavy duty shock absorber

C-JAC INDUSTRIAL CO.,LTD.(TaiWan)

NO.24,Road34,Taichung Industrial Park,Taichung City 40768, Taiwan
TEL:886-4-23599369 Fax:886-4-23592869

C-JAC INDUSTRIAL CO.,LTD.(SuZhou)

NO.188 Tongcheng Road,Weitang Town,Xiangcheng District, Suzhou City,Jiangsu,China
TEL:86-512-69571769 Fax:86-512-69571069



Corporate official website



Suzhou Alibaba official web site



Shanghai Alibaba official website

Corporate official website: www.c-jac.com

Ningbo office

Tel:86-574-87840481/86 Fax:86-574-87840480

Chongqing office

Tel:86-23-68447530/7511 Fax:86-23-68182163

Qingdao office

Tel:86-532-68957107/09 Fax:86-532-68957147

Shenzhen office

Tel:86-755-23197831 Fax:86-755-23197835

Fujian office

Tel:86-592-5568343 Fax:86-592-5569343

Tianjin office

Tel:86-22-24877069 Fax:86-22-24877089

Chengdu office

Tel:86-28-83150058 Fax:86-28-83150058

Shanghai office

Tel:86-21-59227169 Fax:86-21-59227069

2016.08

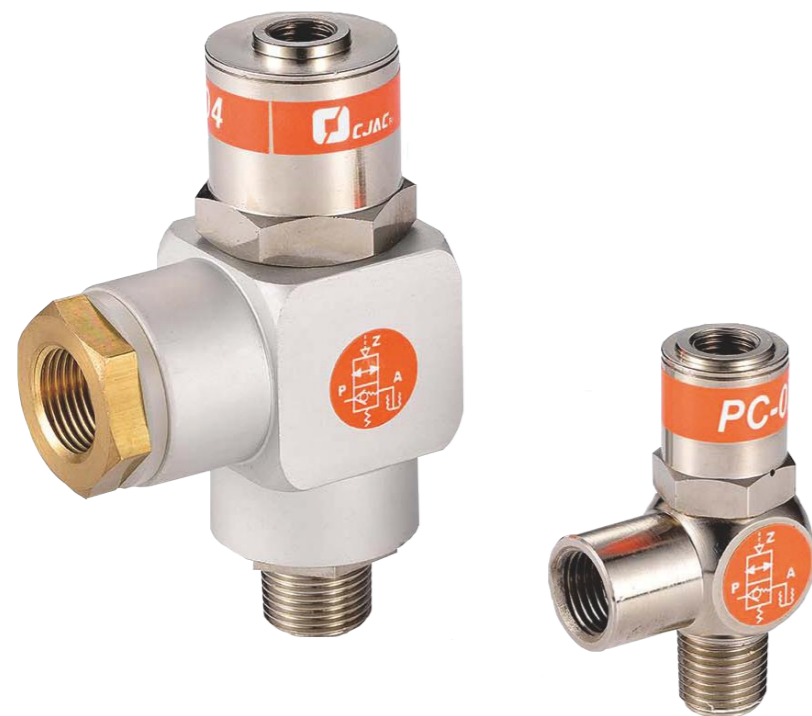
Pilot check valve

PC series

Characteristics

- Safety loop for pressure keeping
- Prevent self-walking phenomenon after the cylinder is stopped
- Precise positioning after cylinder is suddenly stopped
- Application of special loop design

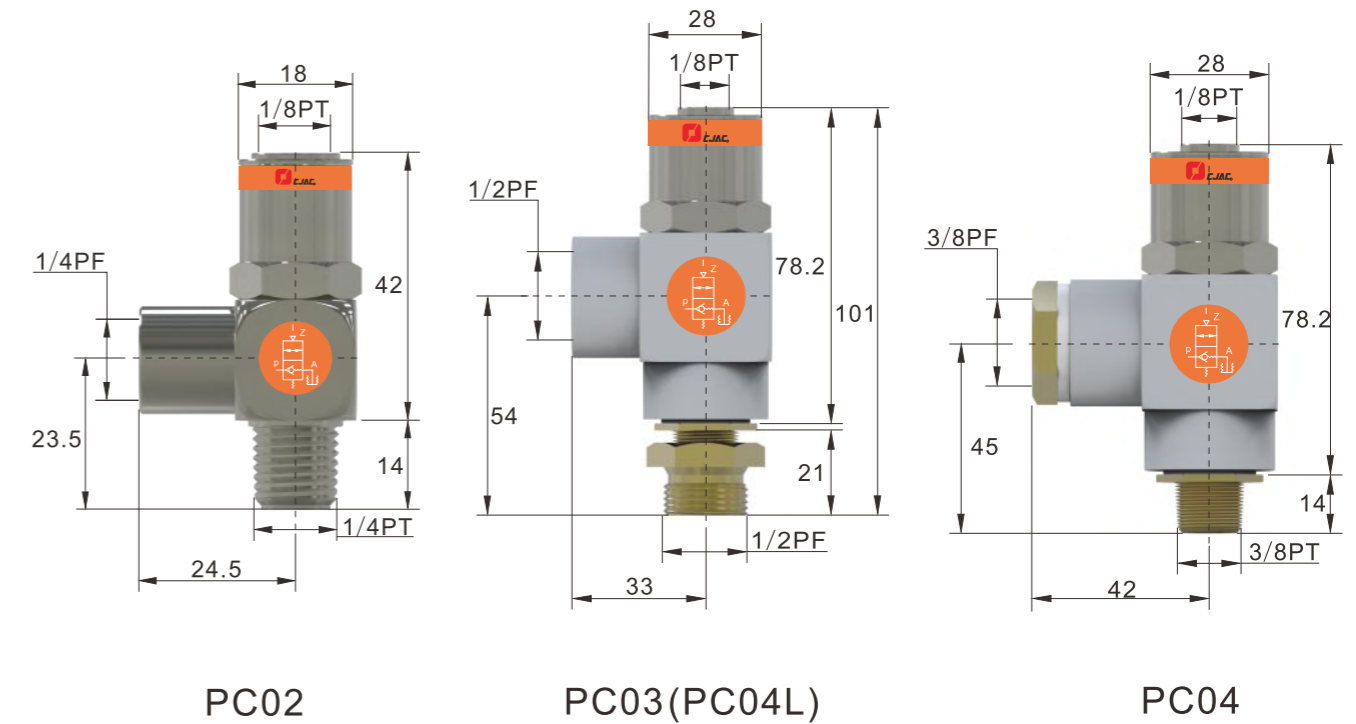
- Material — Main body: JIS C3604 Ni-plating to enhance rust-prevention capability.
Main body sleeve: Aluminum alloy and anodic oxidation of original color
- Pressure range — 0.5 ~ 9.5 Kg/cm²
- Temperature range — -10~ +70°C
- Usage frequency — 40 ~ 60/minute
- Special need — CJAC can make customized spec based on your usage need.



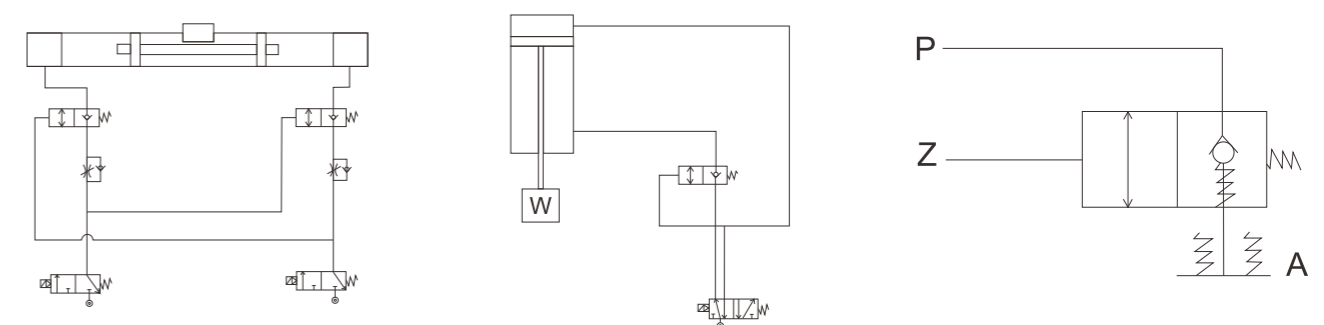
PC series

Performance and form parameters

Model number	Use pressure range(Kg/cm ²)	Operating temperature (°C)	Orifice (mm ²)	Operation frequency (times/minute)	Weight (g)	Suggested cylinder to be used
PC02	0.5~9.5	-10~+70	24	60	100	Below 50 (including 50)
PC03 (PC04L)	0.5~9.5	-10~+70	79	40	340	100~125
PC04	0.5~9.5	-10~+70	79	40	340	63~80



Gas line usage example



- Purchase example
- Model index
- Calculation example
- AC series
- Circuit breaker series
- AC-K series
- ACD series
- AC-S series
- AD series
- Stop cylinder series
- Accessory
- Shock absorber for log cabin
- HR series
- PC series
- HD series
- HD series selection
- HD series accessory
- User manual