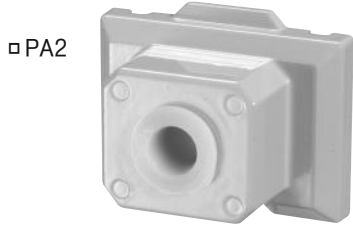


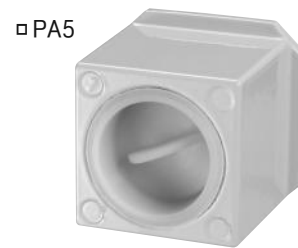
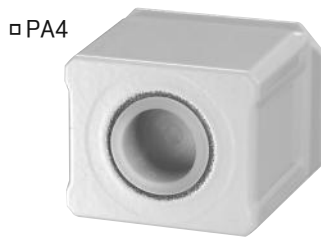
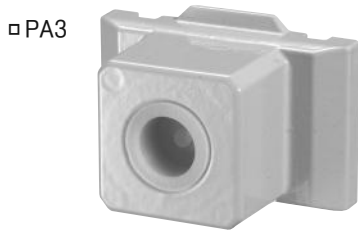
Series PA

Modular Pipe Adapter

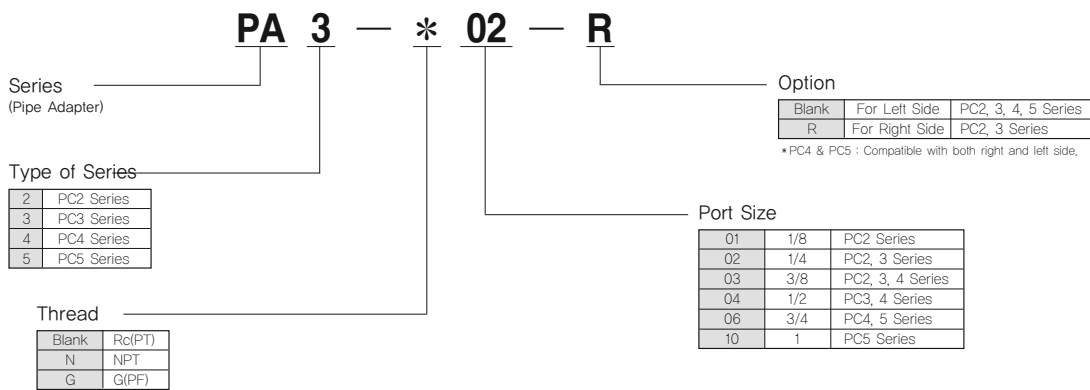


Standard Specifications

Specifications	PA2	PA3	PA4	PA5
Port Size	1/8", 1/4"	1/4", 3/8"	3/8", 1/2"	3/4", 1"
Rc(PT), NPT, G(PF)	3/8"	1/2"	3/4"	
Weight (kg)	0.03(0.07lb)	0.04(0.09lb)	0.07(0.15lb)	0.13(0.29lb)



How to Order



Series PA

PA

SSV

SMS1000

Accessories

OPTION

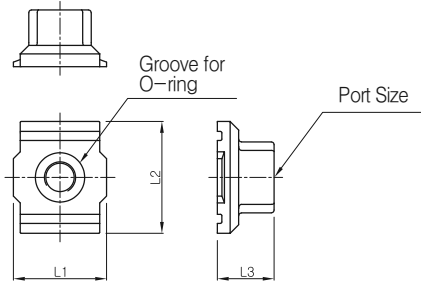
PER2000,
3000

PVR3000

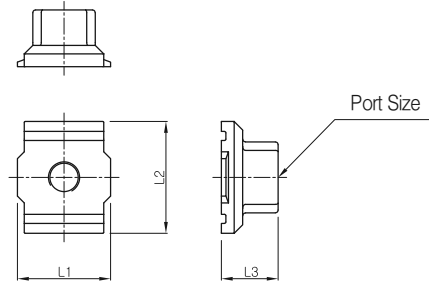
PNR4000

PA2, 3 Dimensions

(For Left Side)



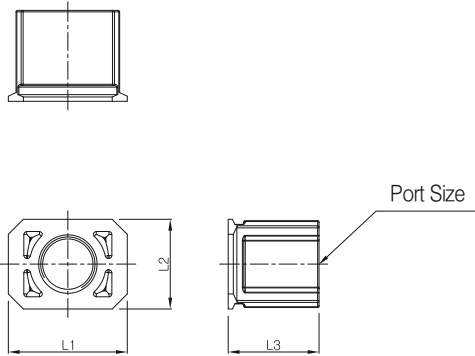
(For Right Side)



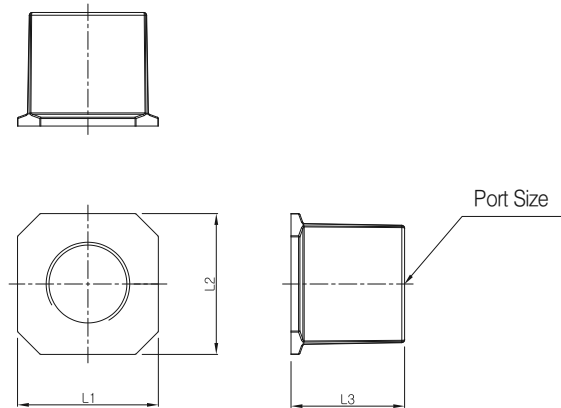
Series	Main Dimensions			
	Port Size Rc(PT), NPT, G(PF)	L1	L2	L3
PA2	1/8, 1/4, 3/8	32.8	39.4	20
PA3	1/4, 3/8, 1/2	33	45	25

PA4, 5 Dimensions

(PA4)



(PA5)



Series	Main Dimensions			
	Port Size Rc(PT), NPT, G(PF)	L1	L2	L3
PA4	3/8, 1/2, 3/4	41.9	31.6	32
PA5	3/4, 1	49.6	49.6	40