

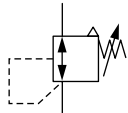
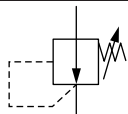
Kuhnke Pneumatic Regulator

Kuhnke 48.200 Series Air Regulator Side Mounting

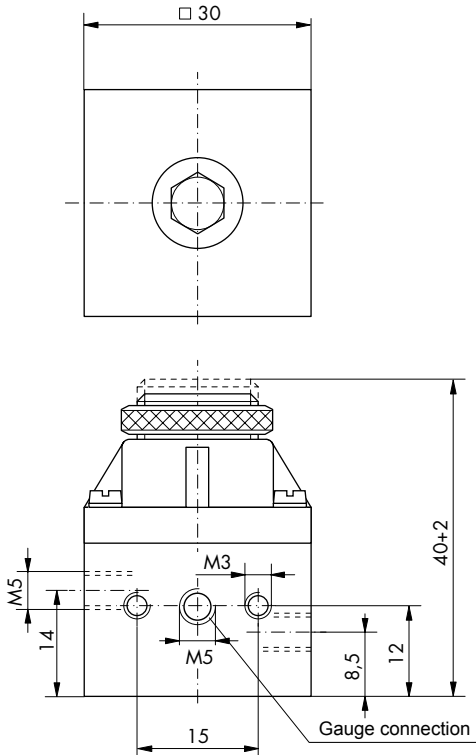
Technical information

Pressure range:	Max 10 bar
Setting range:	See table
Temperature range:	0°C...+60°C
Housing:	Brass nickel plated/plastic
Seals:	NBR
Lubricant:	Not required
Operating medium:	Non-aggressive medium

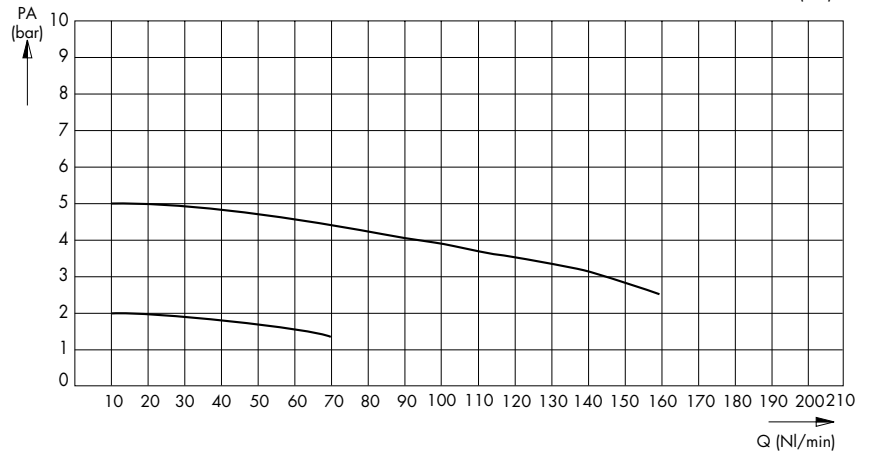
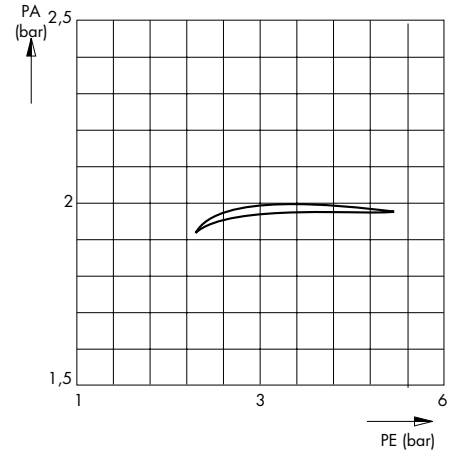


Symbol	Description	Min. setting	Max. setting	Ports	Order code
	Pressure regulator relieving type	0.0 Bar	5.0 Bar	M5	48.200.00.50.00
	Pressure regulator relieving type	0.0 Bar	2.5 Bar	M5	48.200.00.25.00
	Pressure regulator relieving type	0.0 Bar	1.0 Bar	M5	48.200.00.10.00
	Pressure regulator non-relieving type	0.0 Bar	5.0 Bar	M5	48.200.00.50.10
	Pressure regulator non-relieving type	0.0 Bar	2.5 Bar	M5	48.200.00.25.10
	Pressure regulator non-relieving type	0.0 Bar	1.0 Bar	M5	48.200.00.10.10

Dimensional drawings



PA = Output pressure
 PE = Input pressure
 Q = Flowing through



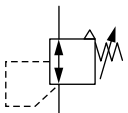
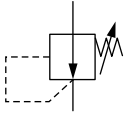
Kuhnke Pneumatic Regulator

Kuhnke 48.250 Series Air Regulator Side Mounting

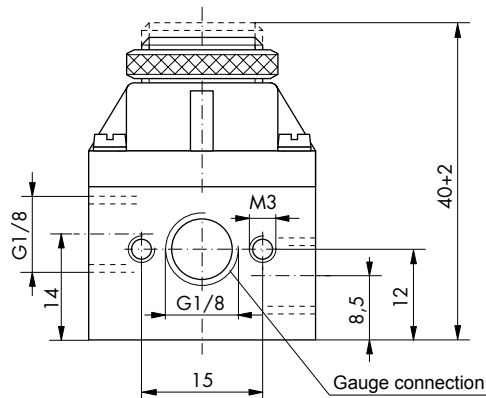
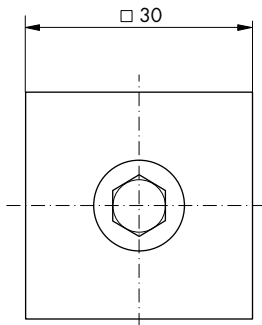


Technical information

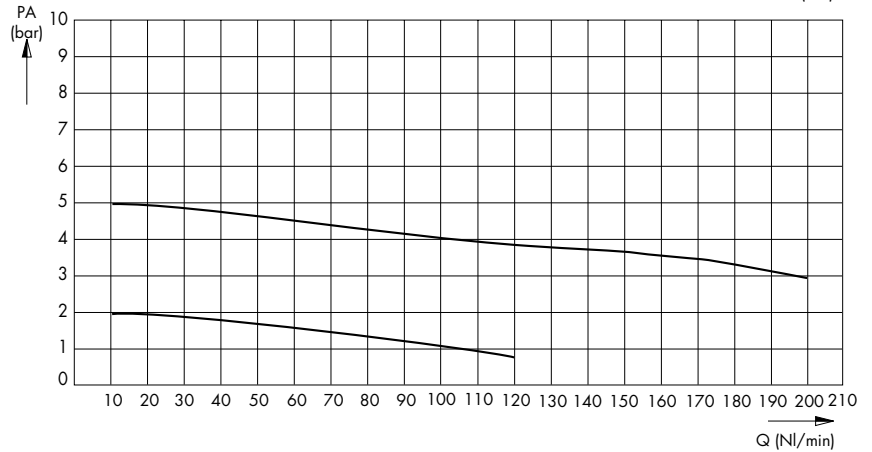
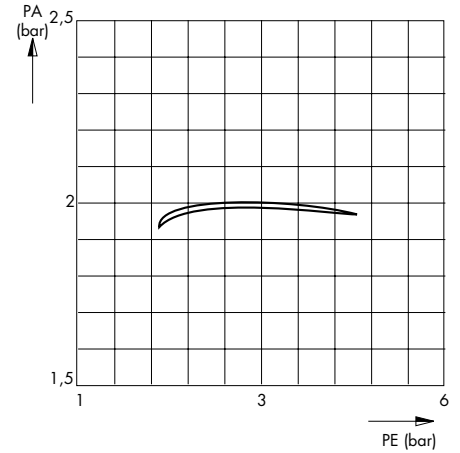
Pressure range:	Max 10 bar
Setting range:	See table
Temperature range:	0°C...+60°C
Housing:	Brass nickel plated/plastic
Seals:	NBR
Lubricant:	Not required
Operating medium:	Non-aggressive medium

Symbol	Description	Min. setting	Max. setting	Ports	Order code
	Pressure regulator relieving type	0.0 Bar	5.0 Bar	G1/8	48.250.00.50.00
	Pressure regulator relieving type	0.0 Bar	1.0 Bar	G1/8	48.250.00.10.00
	Pressure regulator non-relieving type	0.0 Bar	5.0 Bar	G1/8	48.250.00.50.10
	Pressure regulator non-relieving type	0.0 Bar	1.0 Bar	G1/8	48.250.00.10.10

Dimensional drawings



PA = Output pressure
PE = Input pressure
Q = Flowing through



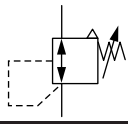
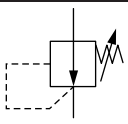
Kuhnke Pneumatic Regulator

Kuhnke 50.780 Series Air Regulator Panel Mounting

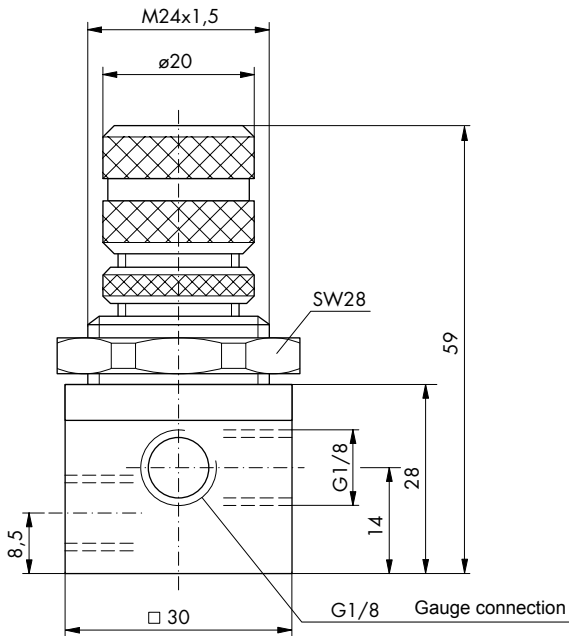
Technical information

Pressure range:	Max 10 bar
Setting range:	See table
Temperature range:	0°C...+60°C
Housing:	Brass nickel plated
Seals:	NBR
Lubricant:	Not required
Operating medium:	Non-aggressive medium



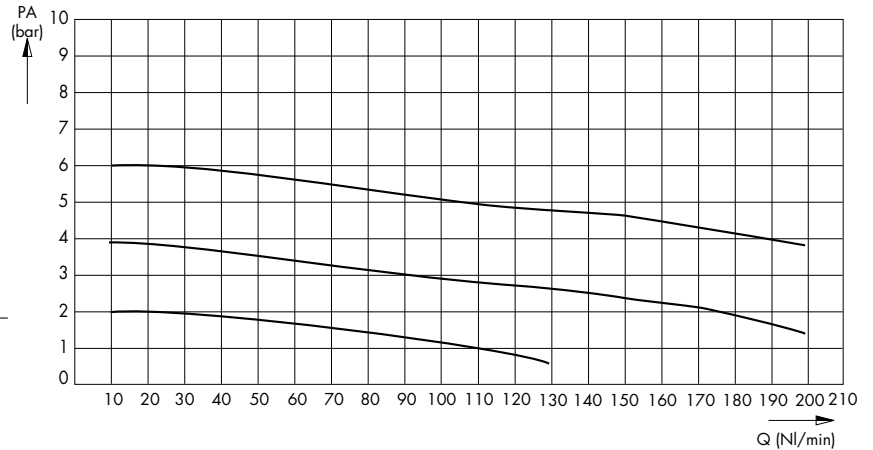
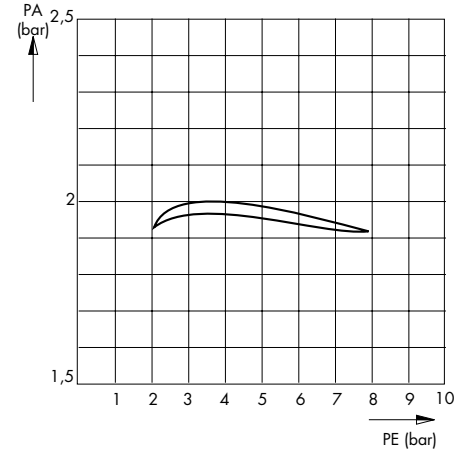
Symbol	Description	Min. setting	Max. setting	Ports	Order code
	Pressure regulator relieving type	0.0 Bar	8.0 Bar	G1/8	50.780.00.80.00
	Pressure regulator relieving type	0.0 Bar	2.5 Bar	G1/8	50.780.00.25.00
	Pressure regulator relieving type	0.0 Bar	1.0 Bar	G1/8	50.780.00.10.00
	Pressure regulator non-relieving type	0.0 Bar	8.0 Bar	G1/8	50.780.00.80.10
	Pressure regulator non-relieving type	0.0 Bar	2.5 Bar	G1/8	50.780.00.25.10
	Pressure regulator non-relieving type	0.0 Bar	1.0 Bar	G1/8	50.780.00.10.10

Dimensional drawings



Max. thickness of front panel plate is 4 mm

PA = Output pressure
PE = Input pressure
Q = Flowing through



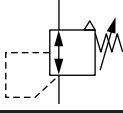
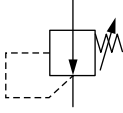
Kuhnke Pneumatic Regulator

Kuhnke 50.805 Series Air Regulator Manifold Mounting

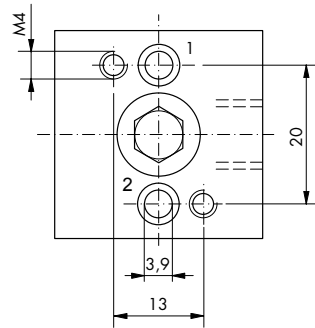
Technical information

Pressure range:	Max 10 bar
Setting range:	See table
Temperature range:	0°C...+60°C
Housing:	Brass nickel plated
Seals:	NBR
Lubricant:	Not required
Operating medium:	Non-aggressive medium



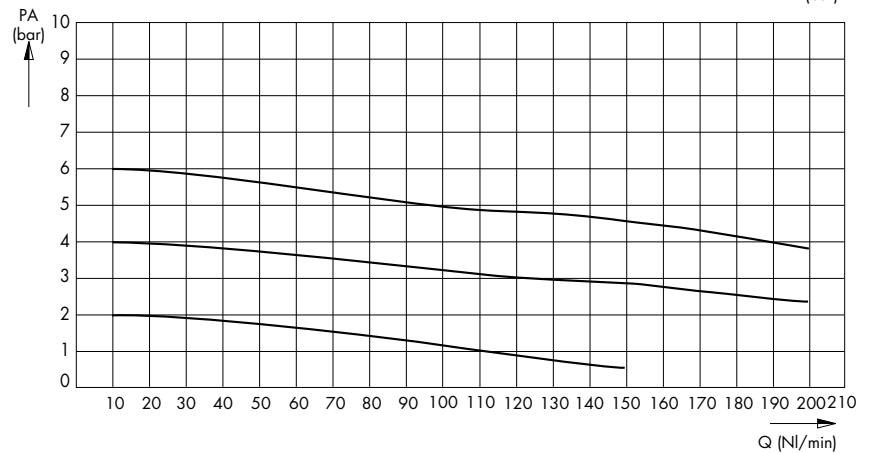
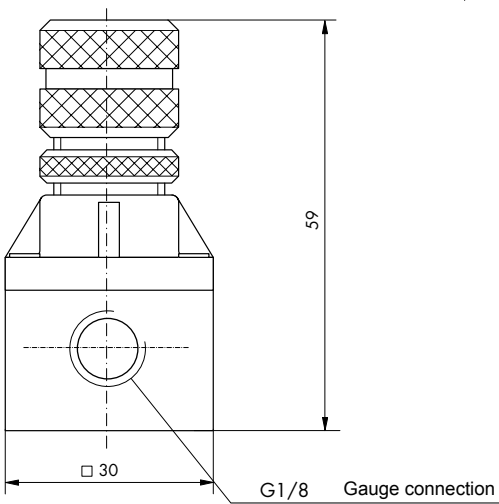
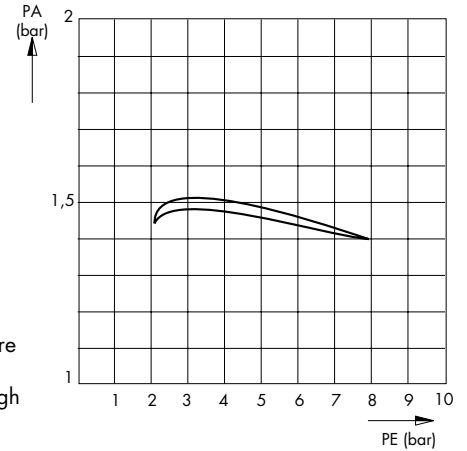
Symbol	Description	Min. setting	Max. setting	Order code
	Pressure regulator relieving type	0.0 Bar	8.0 Bar	50.805.00.80.00
	Pressure regulator relieving type	0.0 Bar	1.0 Bar	50.805.00.10.00
	Pressure regulator non-relieving type	0.0 Bar	8.0 Bar	50.805.00.80.10
	Pressure regulator non-relieving type	0.0 Bar	1.0 Bar	50.805.00.10.10

Dimensional drawings



Drilling plan
Bottom view

PA = Output pressure
PE = Input pressure
Q = Flowing through



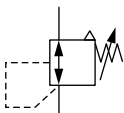
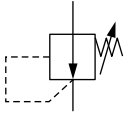
Kuhnke Pneumatic Regulator

Kuhnke 50.806 Series Air Regulator Manifold Mounting

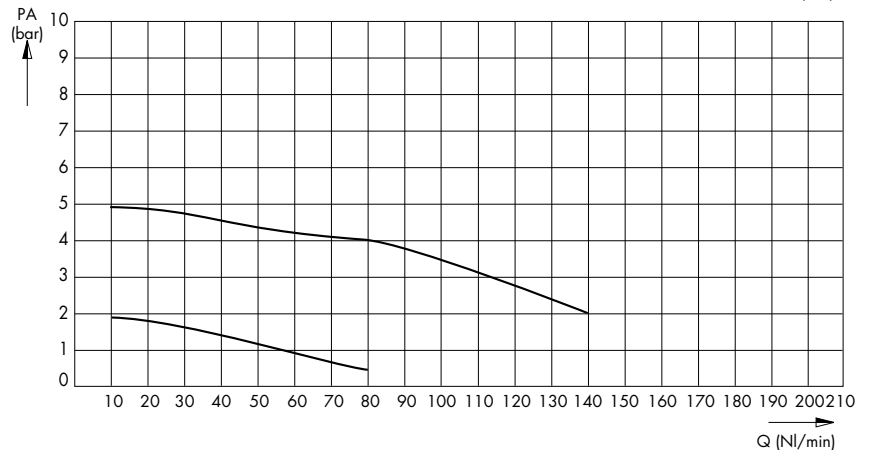
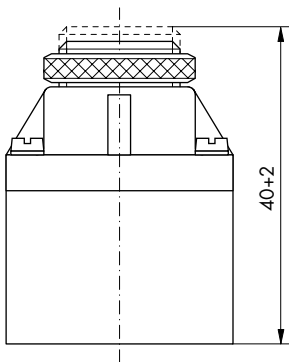
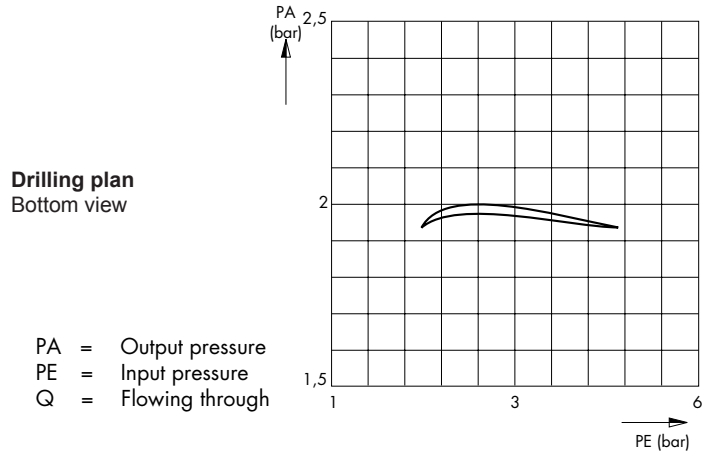
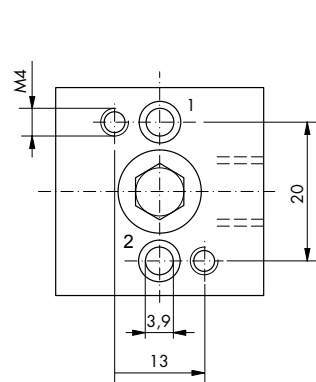
Technical information

Pressure range:	Max 10 bar
Setting range:	See table
Temperature range:	0°C...+60°C
Housing:	Moulded Polyoxymethylene (POM)
Seals:	NBR
Lubricant:	Not Required
Operating medium:	Non-agressive medium.



Symbol	Description	Min. setting	Max. setting	Order code
	Pressure regulator relieving type	0.0 Bar	5.0 Bar	50.806.00.50.00
	Pressure regulator relieving type	0.0 Bar	2.5 Bar	50.806.00.25.00
	Pressure regulator non-relieving type	0.0 Bar	5.0 Bar	50.806.00.50.10
	Pressure regulator non-relieving type	0.0 Bar	2.5 Bar	50.806.00.25.10

Dimensional drawings



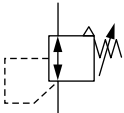
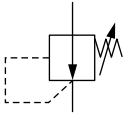
Kuhnke Pneumatic Regulator

Kuhnke 50.880 Series Air Regulator Panel Mounting

Technical information

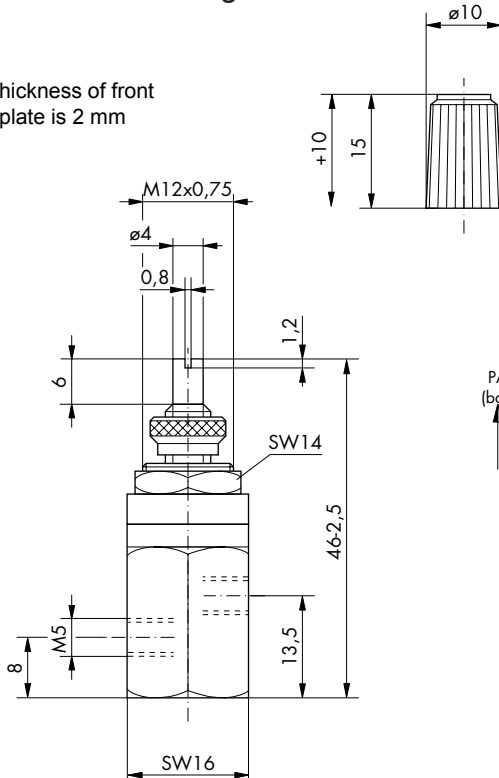
Pressure range:	Max 10 bar
Setting range:	See table
Temperature range:	0°C...+60°C
Housing:	Brass nickel plated
Seals:	NBR
Lubricant:	Not required
Operating medium:	Non-aggressive medium
Accessories:	Rotary knob (Order code 50.883.00)



Symbol	Description	Min. setting	Max. setting	Ports	Order code
	Pressure regulator relieving type	0.0 Bar	8.0 Bar	M5	50.880.00.80.00
	Pressure regulator relieving type	0.0 Bar	4.0 Bar	M5	50.880.00.40.00
	Pressure regulator relieving type	0.0 Bar	2.0 Bar	M5	50.880.00.20.00
	Pressure regulator non-relieving type	0.0 Bar	8.0 Bar	M5	50.880.00.80.10
	Pressure regulator non-relieving type	0.0 Bar	4.0 Bar	M5	50.880.00.40.10
	Pressure regulator non-relieving type	0.0 Bar	2.0 Bar	M5	50.880.00.20.10

Dimensional drawings

Max. thickness of front panel plate is 2 mm



Rotary knob

Order code: **50.883.00**

PA = Output pressure
PE = Input pressure
Q = Flowing through

