

# Series **MB**

## Modular Manifold Block

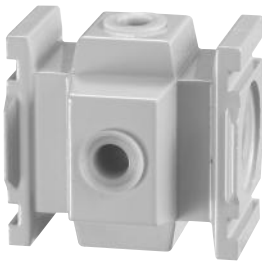
□ MB2



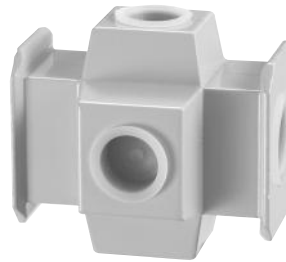
### ■ Standard Specifications

Specifications	MB2	MB3	MB4
Port Size (No Threads)	1/4"	1/4", 3/8"	3/8", 1/2"
Top Port Size Rc(PT), NPT, G(PF)	1/8", 1/4"	1/8", 1/4"	1/4", 3/8"
Weight(kg)	0.09(0.2lb)	0.14(0.31lb)	0.17(0.37lb)

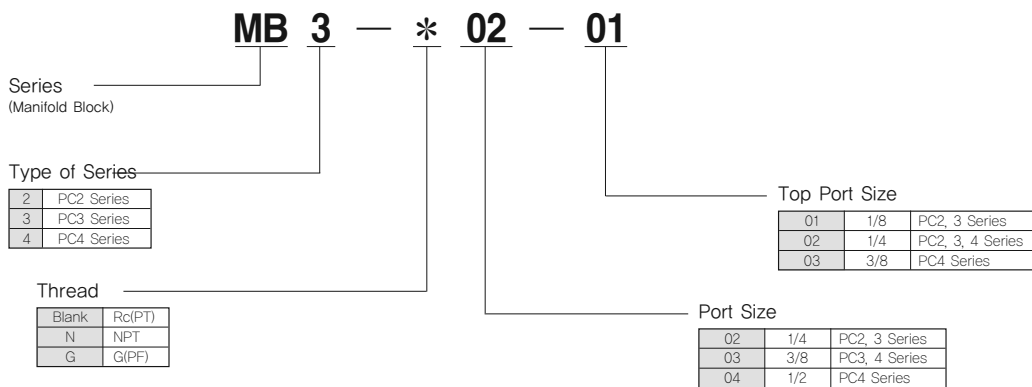
□ MB3



□ MB4

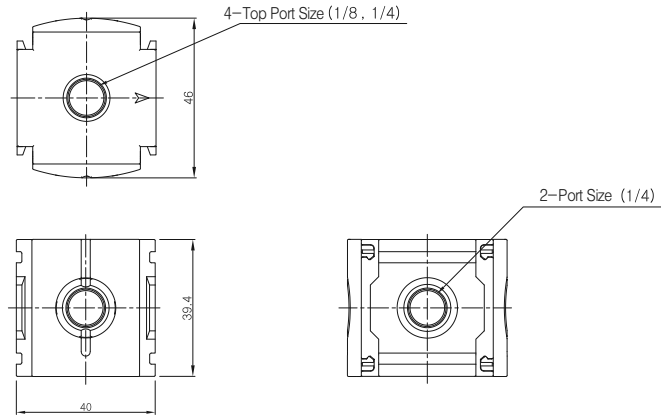


### ■ How to Order

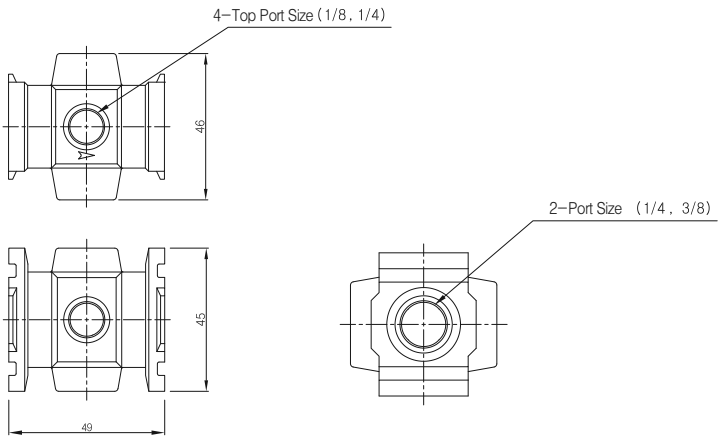


## Series MB

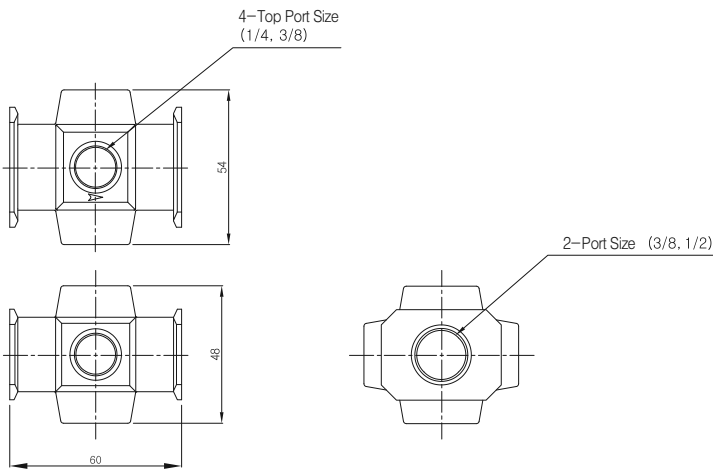
### ■ MB2 Dimensions



### ■ MB3 Dimensions



### ■ MB4 Dimensions



PC2
PF2
PR2
PL2
PP2
PC3
PF3
PR3
PL3
PP3
PC4
PF4
PR4
PL4
PP4
PC5
PF5
PR5
PL5
PP5
PFH(U)2~ PFH(U)5
PPH(U)3~ PPH(U)4
PLV
PSH
PCV
<b>MB</b>