

Mechanically Operated Pneumatic Valves

2/2 & 3/2 Way Compact Roller Lever Valve One Way

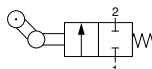
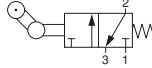
Technical information

Pressure range:	0-10 bar
Temperature range:	-15°C...+50°C
Housing:	Die-cast and lacquered zinc alloy
Seals:	PUR
Lubricant:	Not required
Operating medium:	5 micron filtered, lubricated or non-lubricated compressed air

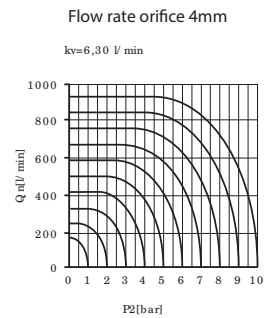
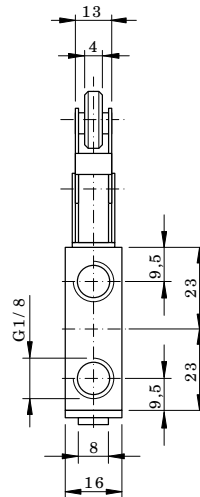
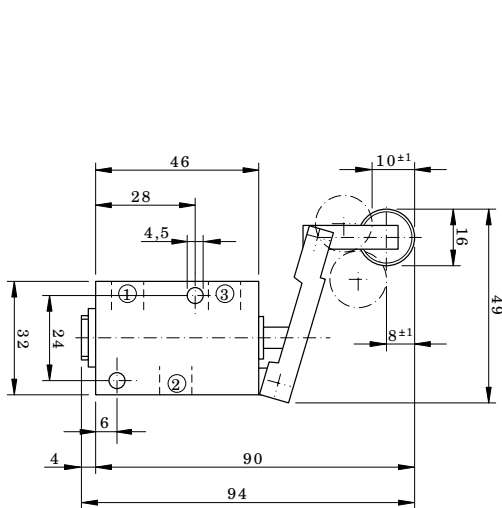


Other information

For NPT ports use prefix code "75" for example 75.XXX.XX.XX

Symbol	Description	Type	Orifice	Ports	Order code
	2/2 way spring return normally closed	Poppet	4mm	G1/8	76.025.24.21
	3/2 way spring return normally closed	Poppet	4mm	G1/8	76.026.24.21

Dimensional drawings



Mechanically Operated Pneumatic Valves

2/2 & 3/2 Way Compact Roller Lever Valve Two Way

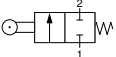
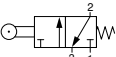
Technical information

Pressure range:	0-10 bar
Temperature range:	-15°C...+50°C
Housing:	Die-cast and lacquered zinc alloy
Seals:	PUR
Lubricant:	Not required
Operating medium:	5 micron filtered, lubricated or non-lubricated compressed air

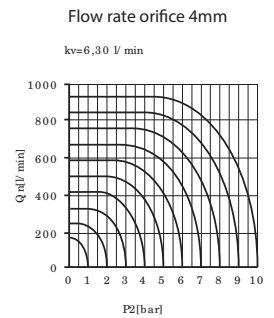
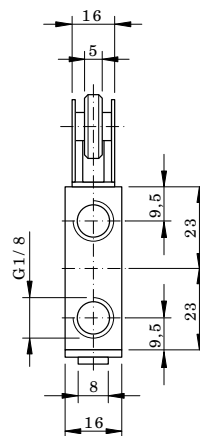
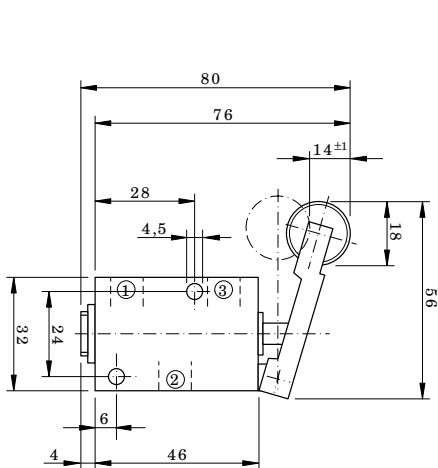


Other information

For NPT ports use prefix code "75" for example 75.XXX.XX.XX

Symbol	Description	Type	Orifice	Ports	Order code
	2/2 way spring return normally closed	Poppet	4mm	G1/8	76.025.23.21
	3/2 way spring return normally closed	Poppet	4mm	G1/8	76.026.23.21

Dimensional drawings



Mechanically Operated Pneumatic Valves


3/2 & 5/2 Way Roller Lever Valve - One Way Roller Function Air Pilot Assisted

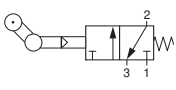
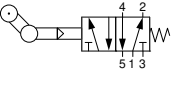


Technical information

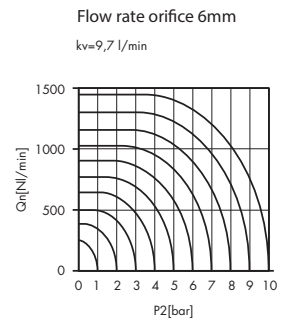
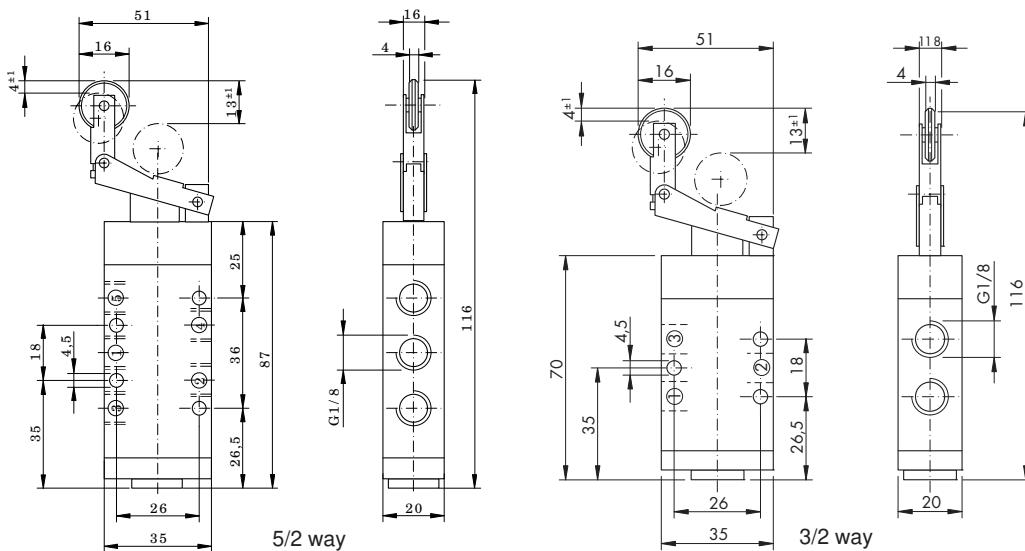
Actuation force @ 6 bar: 4N
Pressure range: 2.5-10 bar
Temperature range: -15°C...+50°C
Housing: Die-cast and lacquered zinc alloy
Seals: NBR
Lubricant: Not required
Operating medium: 5 micron filtered, lubricated or non-lubricated compressed air

Other information

 For ATEX certification use suffix code "EX" for example 76.XXX.XX.XX.EX
 For NPT ports use prefix code "75" for example 75.XXX.XX.XX

Symbol	Description	Type	Orifice	Ports	Order code
	3/2 way spring return normally closed	Spool	6mm	G1/8	76.022.34.21
	5/2 way spring return	Spool	6mm	G1/8	76.023.34.41

Dimensional drawings




Mechanically Operated Pneumatic Valves

3/2 & 5/2 Way Roller Lever Valve - One Way Roller Function

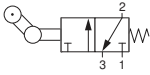
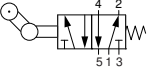
Technical information

Pressure range: 0-10 bar
Temperature range: -15°C...+50°C
Housing: Die-cast and lacquered zinc alloy
Seals: NBR
Lubricant: Not required
Operating medium: 5 micron filtered, lubricated or non-lubricated compressed air

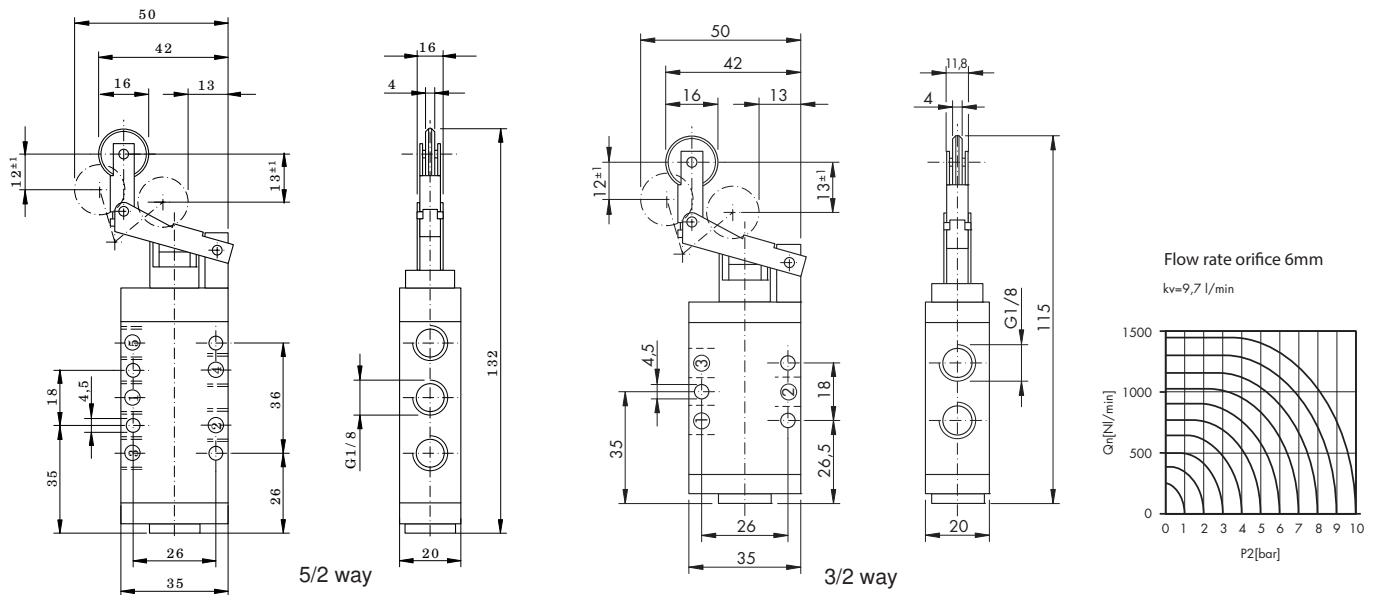
Other information

 For ATEX certification use suffix code "EX" for example 76.XXX.XX.XX.EX
 For NPT ports use prefix code "75" for example 75.XXX.XX.XX



Symbol	Description	Type	Orifice	Ports	Order code
	3/2 way spring return normally closed	Spool	6mm	G1/8	76.022.24.21
	5/2 way spring return	Spool	6mm	G1/8	76.023.24.41

Dimensional drawings



Mechanically Operated Pneumatic Valves


3/2 & 5/2 Way Roller Lever Valve - Two Way Roller Function Air Pilot Assisted

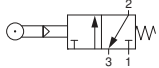
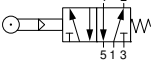
Technical information

Actuation force @ 6 bar:	4N
Pressure range:	2.5-10 bar
Temperature range:	-15°C...+50°C
Housing:	Die-cast and lacquered zinc alloy
Seals:	NBR
Lubricant:	Not required
Operating medium:	5 micron filtered, lubricated or non-lubricated compressed air

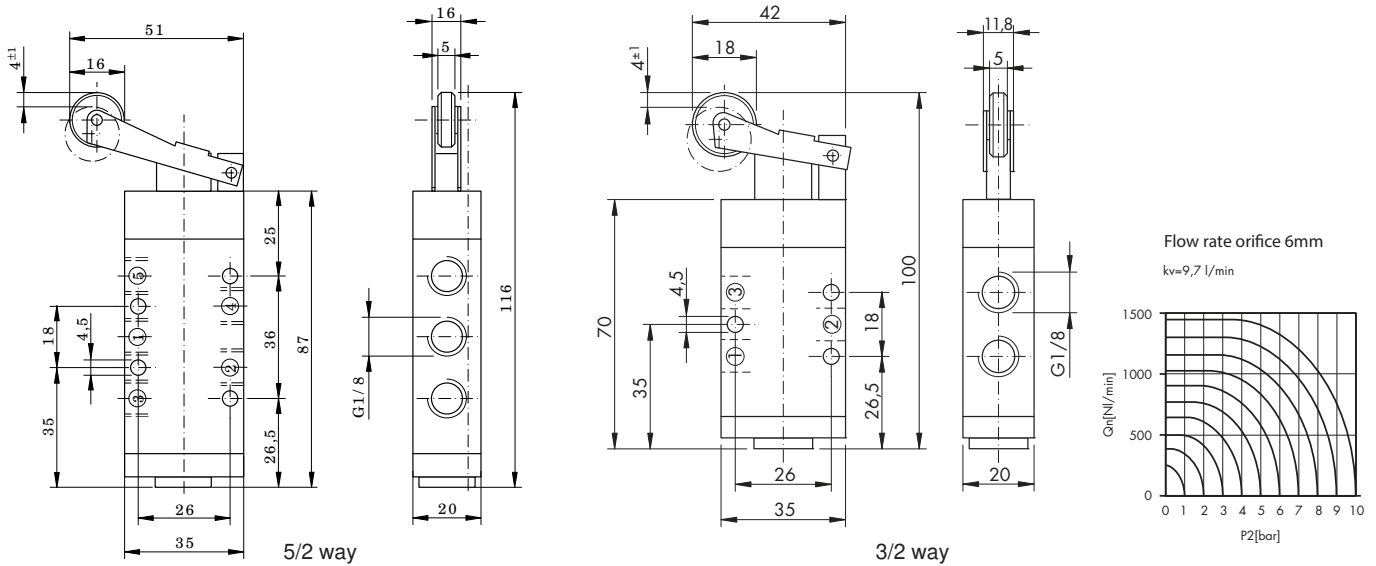


Other information

 For ATEX certification use suffix code "EX" for example 76.XXX.XX.XX.EX
For NPT ports use prefix code "75" for example 75.XXX.XX.XX

Symbol	Description	Type	Orifice	Ports	Order code
	3/2 way spring return normally closed	Spool	6mm	G1/8	76.022.33.21
	5/2 way spring return	Spool	6mm	G1/8	76.023.33.41

Dimensional drawings



Mechanically Operated Pneumatic Valves

3/2 Way Roller Lever Valve - Two Way Roller Function

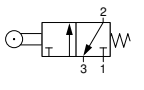
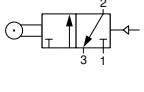
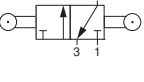
Technical information

Pressure range:	0-10 bar
Temperature range:	-15°C...+50°C
Housing:	Die-cast and lacquered zinc alloy
Seals:	NBR
Lubricant:	Not required
Operating medium:	5 micron filtered, lubricated or non-lubricated compressed air



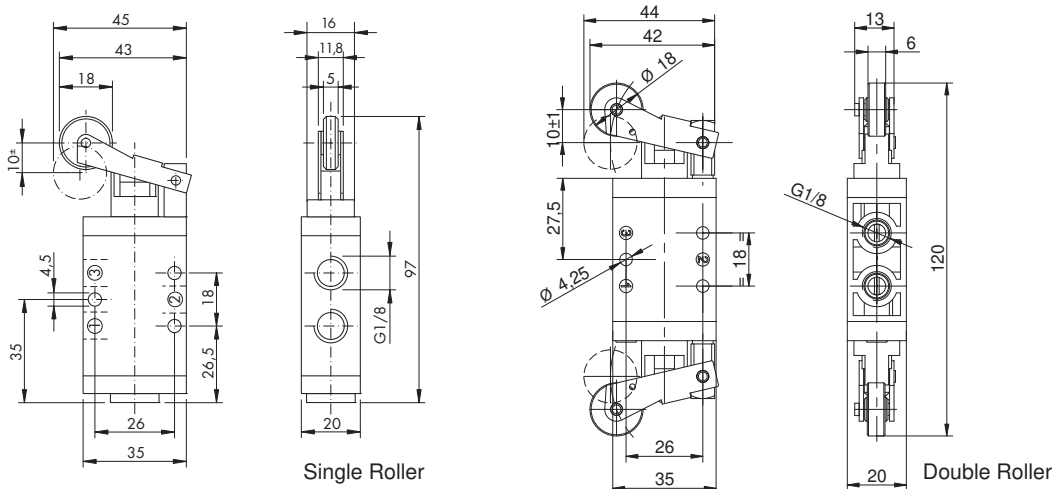
Other information

Ex For ATEX certification use suffix code "EX" for example 76.XXX.XX.XX.EX
 For NPT ports use prefix code "75" for example 75.XXX.XX.XX

Symbol	Description	Type	Orifice	Ports	Order code
	3/2 way spring return normally closed	Spool	6mm	G1/8	76.022.23.21
	3/2 way maintained position with pilot return **	Spool	6mm	G1/8	76.022.23.22
	3/2 way with roller on both ends	Spool	6mm	G1/8	76.022.23.10

Dimensional drawings

**Dimensional drawing upon request




Mechanically Operated Pneumatic Valves

5/2 Way Roller Lever Valve - Two Way Roller Function

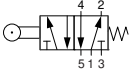
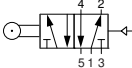
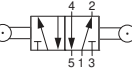
Technical information

Pressure range:	0-10 bar
Temperature range:	-15°C...+50°C
Housing:	Die-cast and lacquered zinc alloy
Seals:	NBR
Lubricant:	Not required
Operating medium:	5 micron filtered, lubricated or non-lubricated compressed air

Other information

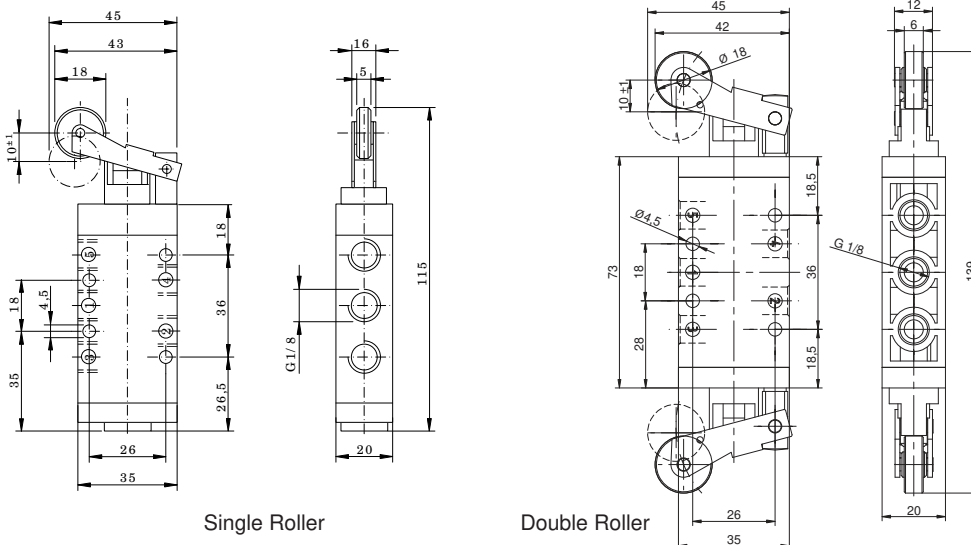
 For ATEX certification use suffix code "EX" for example 76.XXX.XX.XX.EX
For NPT ports use prefix code "75" for example 75.XXX.XX.XX



Symbol	Description	Type	Orifice	Ports	Order code
	5/2 way spring return	Spool	6mm	G1/8	76.023.23.41
	5/2 way maintained position with pilot return **	Spool	6mm	G1/8	76.023.23.42
	5/2 way with roller on both ends	Spool	6mm	G1/8	76.023.23.10

Dimensional drawings

**Dimensional drawing upon request



Flow rate orifice 6mm
kv=9,7 l/min

