



103 SERIES

ISO-B CARBON STEEL / AISI 316 / BRASS



Manufactured according to ISO 7241-B norm.
 Poppet Valve closing system.
 BSP, NPTF, SAE/ORB threads. Other threads available upon request.

• Materials

	CARBON STEEL	STAINLESS STEEL	BRASS
Body	Carbon Steel EN-10277-3	AISI 316	Brass CuZn39Pb3
O-ring	NBR, Viton or EPDM	NBR, Viton or EPDM	NBR, Viton or EPDM
Back-up-ring	PTFE	PTFE	PTFE
Balls	AISI 1010/1015	AISI316 W. 14401	AISI316 W. 14401
Springs	Carbon Steel DIN 17233/84(B)	AISI302 DIN 17224	AISI302 DIN 17224

• **Applications:** Designed for Oil hydraulic Applications.

• Equivalence

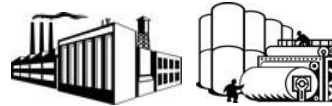
FASTER H AEROQUIP FD45
 PARKER 60 SNAP-TITE 72

• Working temperature (O-ring)

	NBR	Viton	EPDM
+	+100°C	+200°C	+150°C
-	-30°C	-10°C	-40°C

• Sectors

Carbon Steel → Industrial.



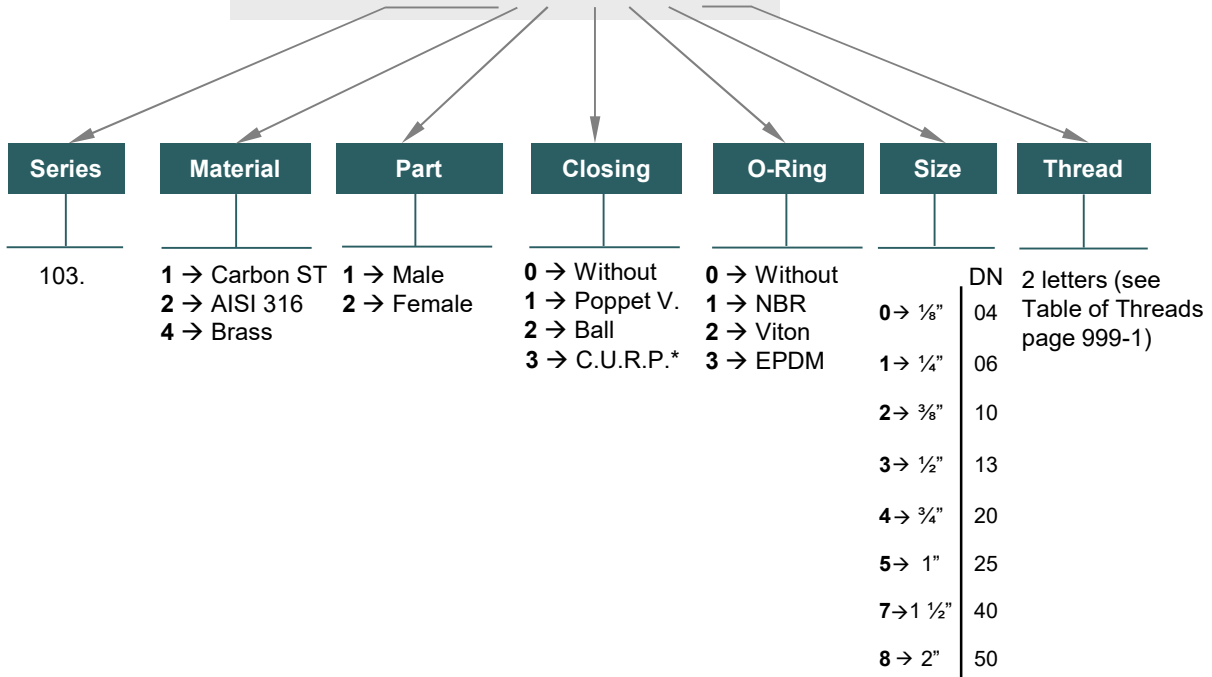
Stainless Steel → Chemical, Industrial, Offshore.



MODEL STRUCTURE

Example:

103.21122 BC



* DN13 available only.

103-1

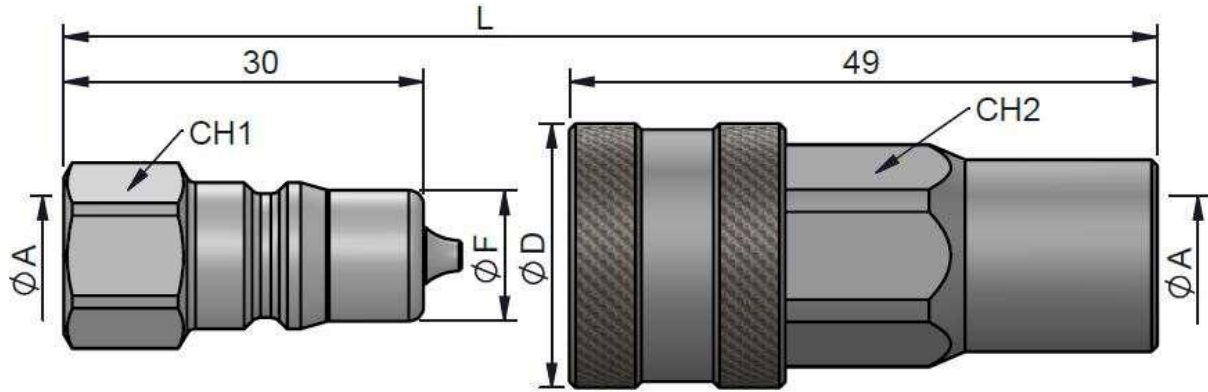


103 SERIES

ISO-B CARBON STEEL



DN04

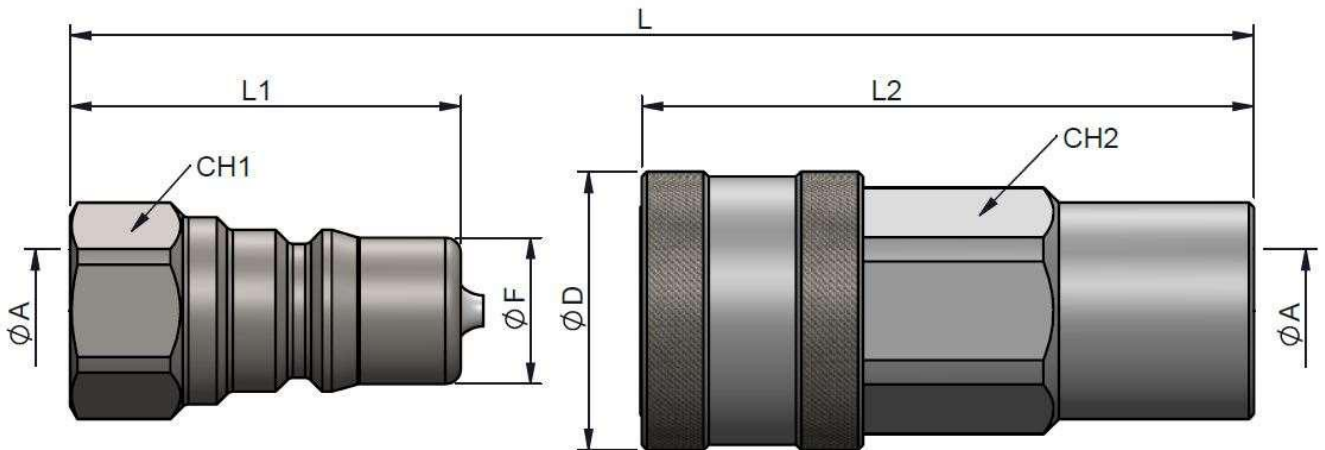


MALE STANDARD MODELS

FEMALE STANDARD MODELS

DN	ØA	REF.		CH1	L1	ØF	L	DN	ØA	REF.		CH2	L2	ØD	L
04	1/8" BSP	103.11110AA	400Bar	14	30	10.90	60	04	1/8" BSP	103.12110AA	400Bar	19	49	22	60
	1/8" NPTF	103.11110BA								103.12110BA					

DN06



MALE STANDARD MODELS

FEMALE STANDARD MODELS

DN	ØA	REF.		CH1	L1	ØF	L	DN	ØA	REF.		CH2	L2	ØD	L
06	1/4" BSP	103.11111AB	380Bar	19	38	14.20	76	06	1/4" BSP	103.12111AB	380Bar	22	59.55	27	76
	1/4" NPTF	103.11111BB								103.12111BB					

Manufactured according to ISO 7241-B norm.

L= length while quick coupling is connected.

103-2

INTEVA reserves the right to make modifications in its products without prior notice.
Any external or internal alteration in our products will automatically void the warranty.



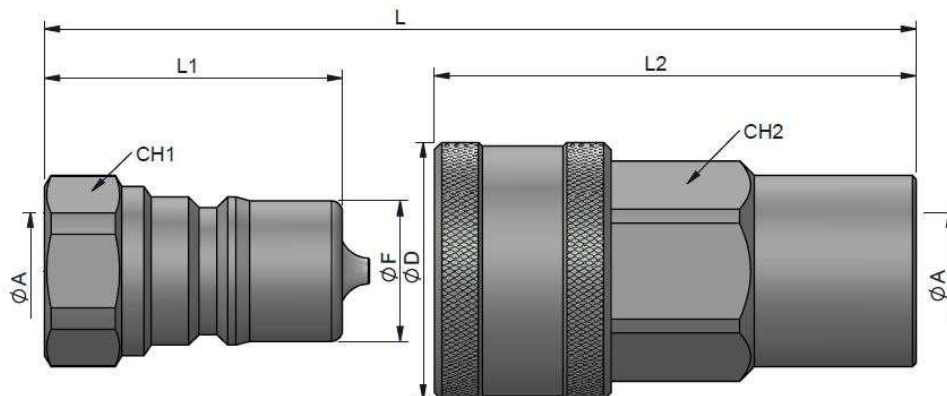


103 SERIES

ISO-B CARBON STEEL



DN10

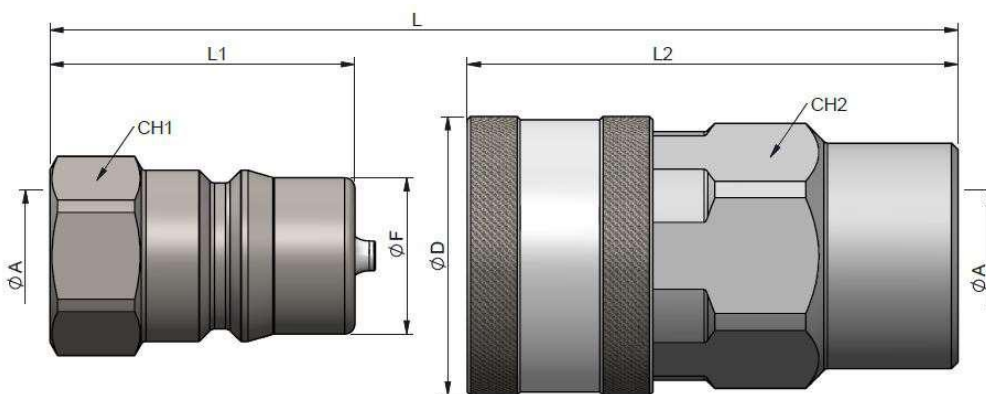


MALE STANDARD MODELS

FEMALE STANDARD MODELS

DN	ØA	REF.		CH1	L1	ØF	L	DN	ØA	REF.		CH2	L2	ØD	L
10	3/8" BSP	103.11112AC	350Bar	24	40.50	19.10	81	10	3/8" BSP	103.12112AC	350Bar	27	65.50	35	81
	3/8" NPTF	103.12112BC													
	3/4" - 16ORB	103.12112GF													

DN13



MALE STANDARD MODELS

FEMALE STANDARD MODELS

DN	ØA	REF.		CH1	L1	ØF	L	DN	ØA	REF.		CH2	L2	ØD	L
13	1/2" BSP	103.11113AD	320Bar	27	46	23.55	92	13	1/2" BSP	103.12113AD	320Bar	36	74	42	92
	1/2" NPTF	103.12113BD													
	3/4" - 16ORB	103.12113GF													
	7/8" - 14ORB	103.12113GH													

Manufactured according to ISO 7241-B norm.

L= length while quick coupling is connected.

103-3

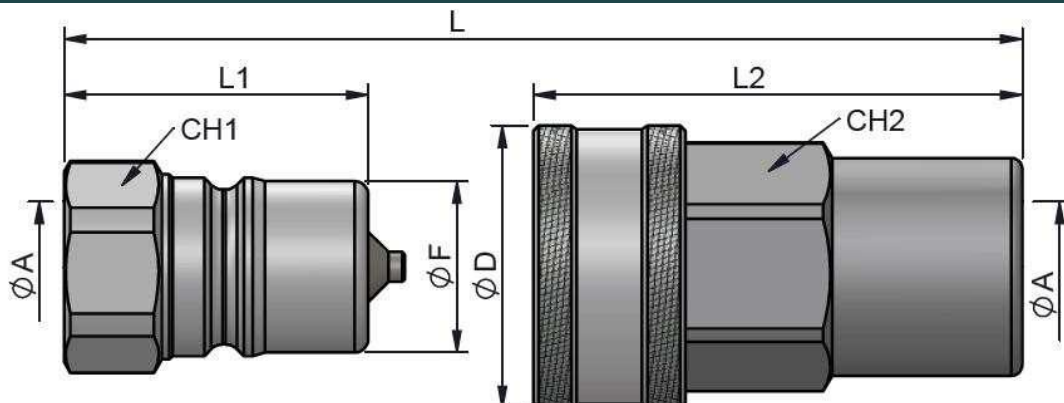


103 SERIES

ISO-B CARBON STEEL



DN20

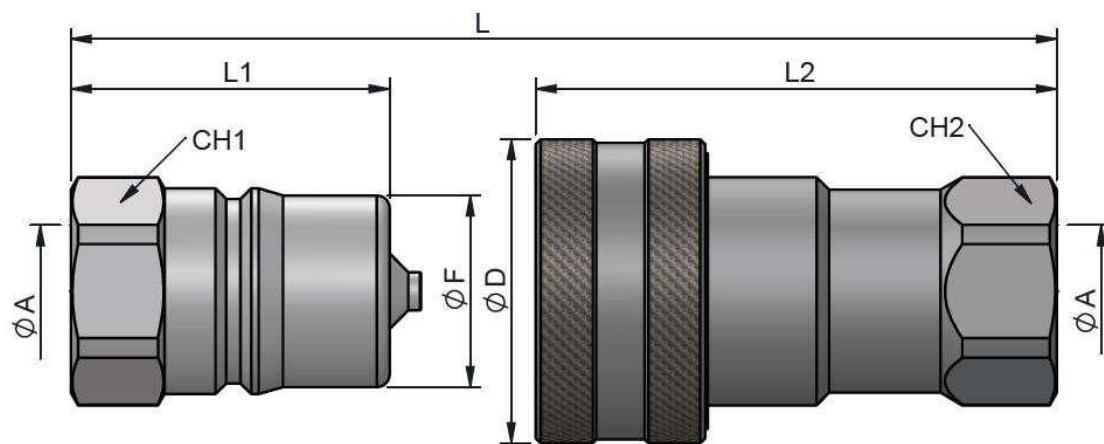


MALE STANDARD MODELS

FEMALE STANDARD MODELS

DN	ØA	REF.		CH1	L1	ØF	L	DN	ØA	REF.		CH2	L2	ØD	L
20	3/4" BSP	103.11114AE	300Bar	36	56	31.45	112	20	3/4" BSP	103.12114AE	300Bar	41	90	52	112
	3/4" NPTF	103.12114BE													
	1 1/16"-12ORB	103.12114GK													

DN25



MALE STANDARD MODELS

FEMALE STANDARD MODELS

DN	ØA	REF.		CH1	L1	ØF	L	DN	ØA	REF.		CH2	L2	ØD	L
25	1" BSP	103.11115AF	280Bar	41	63	37.80	126	25	1" BSP	103.12115AF	280Bar	41	103	60	126
	1" NPTF	103.12115BF													
	1 5/16"-12ORB	103.12115GO													

Manufactured according to ISO 7241-B norm.

L= length while quick coupling is connected.

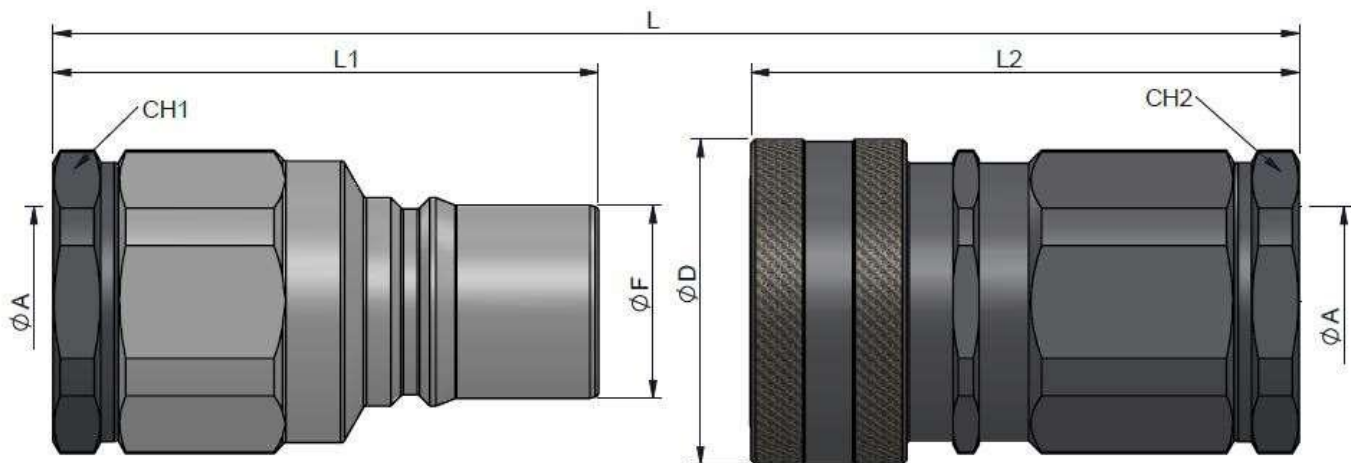


103 SERIES

ISO-B CARBON STEEL



DN40



MALE STANDARD MODELS

FEMALE STANDARD MODELS

DN	ØA	REF.		CH1	L1	ØF	L	DN	ØA	REF.		CH2	L2	ØD	L
40	1 1/4" BSP	103.11117AG		65	126	44.50	252	40	1 1/4" BSP	103.12117AG		65	126.80	75	252
	1 1/4" NPTF	103.11117BG							1 1/4" NPTF	103.12117BG					
	1 1/2" BSP	103.11117AH							1 1/2" BSP	103.12117AH					
	1 1/2" NPTF	103.11117BH							1 1/2" NPTF	103.12117BH					

Manufactured according to ISO 7241-B norm.

L= length while quick coupling is connected.

103-5

INTEVA reserves the right to make modifications in its products without prior notice. Any external or internal alteration in our products will automatically void the warranty.



v8

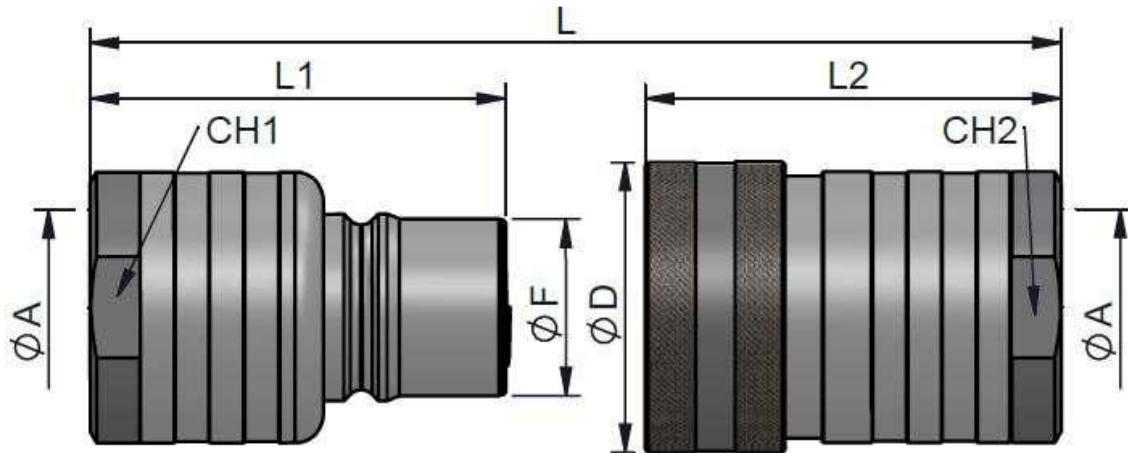


103 SERIES

ISO-B CARBON STEEL



DN50



MALE STANDARD MODELS

FEMALE STANDARD MODELS

DN	ØA	REF.		CH1	L1	ØF	L	DN	ØA	REF.		CH2	L2	ØD	L
50	2" BSP	103.11118AI	100Bar	90	149	63.27	262	50	2" BSP	103.12118AI	100Bar	90	149	104	262
	2" NPTF	103.11118BI							2" NPTF	103.12118BI					
	2 1/2" BSP	103.11118AJ							2 1/2" BSP	103.12118AJ					
	2 1/2" NPTF	103.11118BJ							2 1/2" NPTF	103.12118BJ					
	3" BSP	103.11118AK							3" BSP	103.12118AK					
	3" NPTF	103.11118BK							3" NPTF	103.12118BK					

Manufactured according to ISO 7241-B norm.

L= length while quick coupling is connected.

103-6

INTEVA reserves the right to make modifications in its products without prior notice.
Any external or internal alteration in our products will automatically void the warranty.





103 SERIES

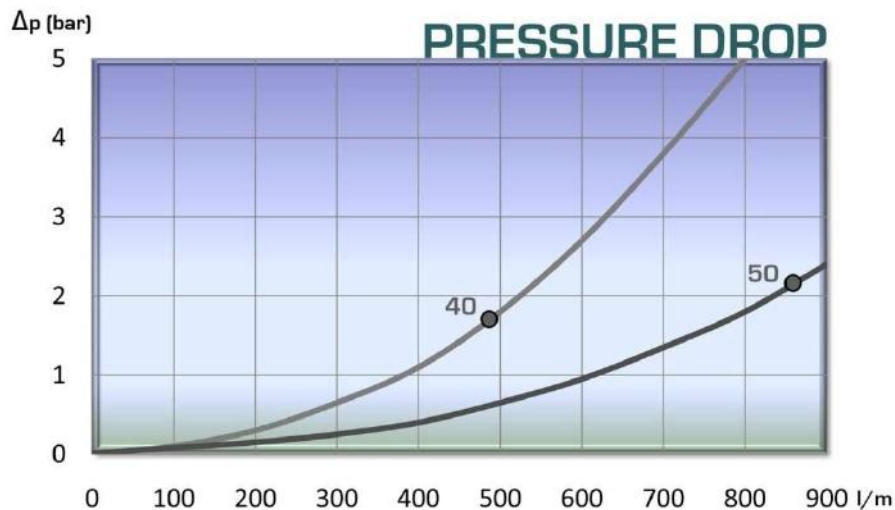
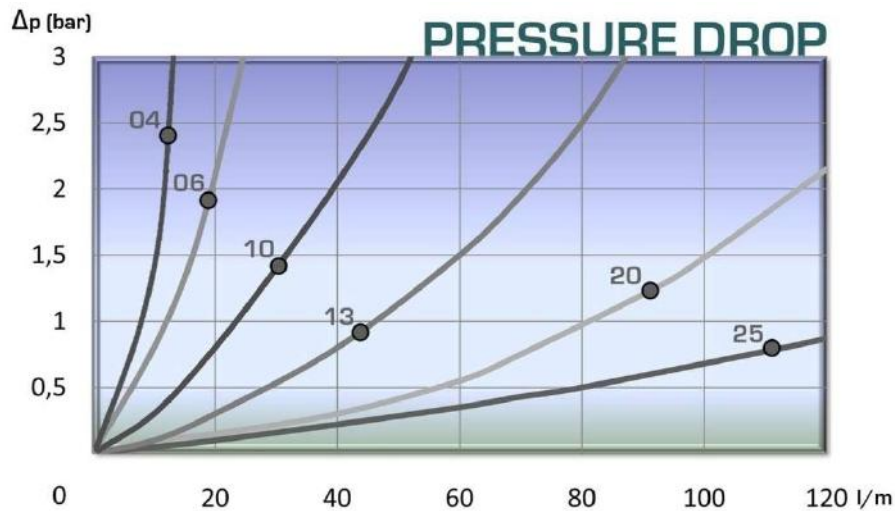
ISO-B CARBON STEEL



TECHNICAL DATA

DN	Rated Flow	Min Burst Pressure (bar)			Max. Working Pressure
		Male	Female	Coupled	
04	7 l/m	1650	1750	1600	400 Bar
06	15 l/m	1650	1800	1520	380 Bar
10	35 l/m	1580	1580	1400	350 Bar
13	47 l/m	1310	1450	1280	320 Bar
20	93 l/m	1310	1380	1200	300 Bar
25	118 l/m	1200	1400	1120	280 Bar
40	480 l/m	550	560	560	140 Bar
50	890 l/m	370	410	400	100 Bar

Test performed according to ISO 18869



103-7

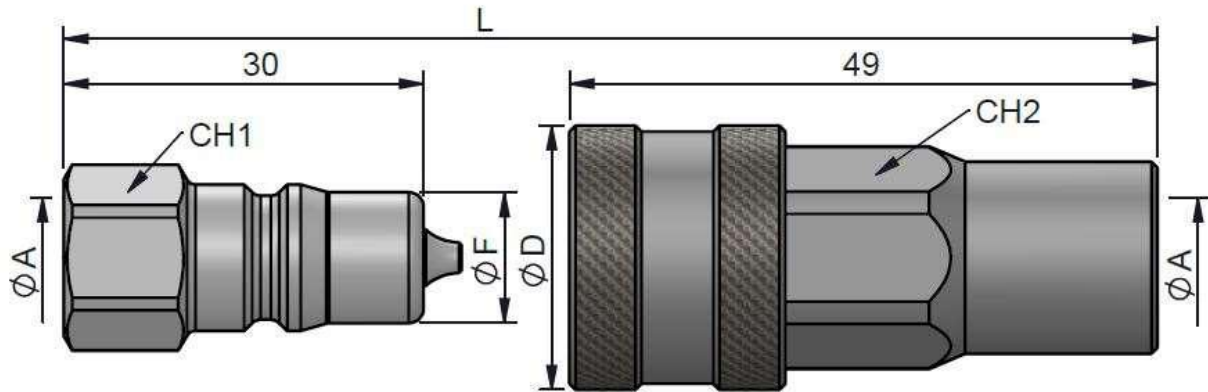


103 SERIES

ISO-B AISI 316



DN04

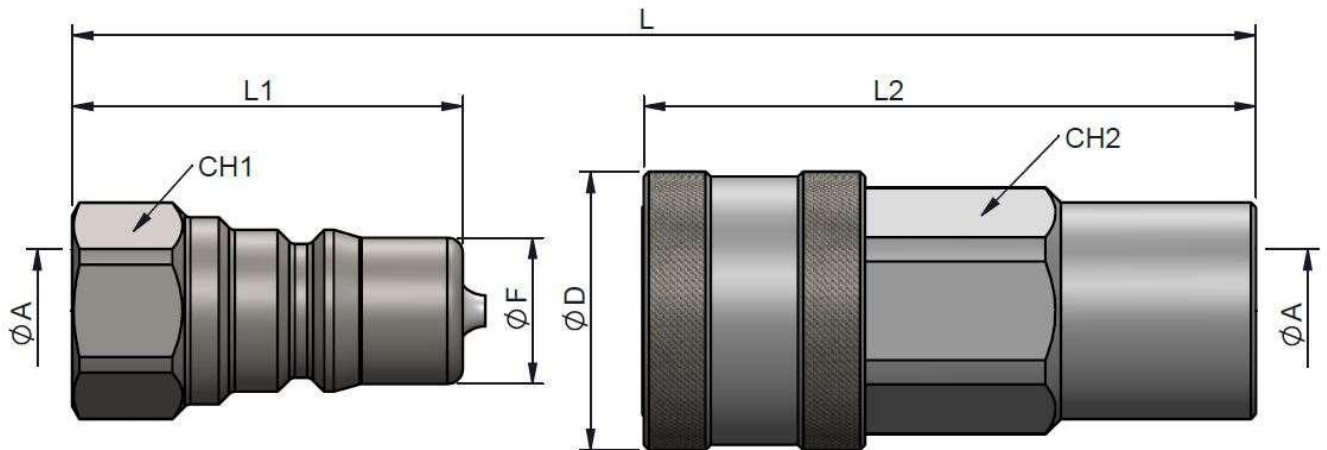


MALE STANDARD MODELS

FEMALE STANDARD MODELS

DN	ØA	REF.		CH1	L1	ØF	L	DN	ØA	REF.		CH2	L2	ØD	L
04	1/8" BSP	103.21120AA	320Bar	14	30	10.90	60	04	1/8" BSP	103.22120AA	320Bar	19	49	22	60
	1/8" NPTF	103.21120BA								103.22120BA					

DN06



MALE STANDARD MODELS

FEMALE STANDARD MODELS

DN	ØA	REF.		CH1	L1	ØF	L	DN	ØA	REF.		CH2	L2	ØD	L
06	1/4" BSP	103.21121AB	300Bar	19	38	14.20	76	06	1/4" BSP	103.22121AB	300Bar	22	59.55	27	76
	1/4" NPTF	103.21121BB								103.22121BB					

Manufactured according to ISO 7241-B norm.

L= length while quick coupling is connected.

103-8

INTEVA reserves the right to make modifications in its products without prior notice.
Any external or internal alteration in our products will automatically void the warranty.



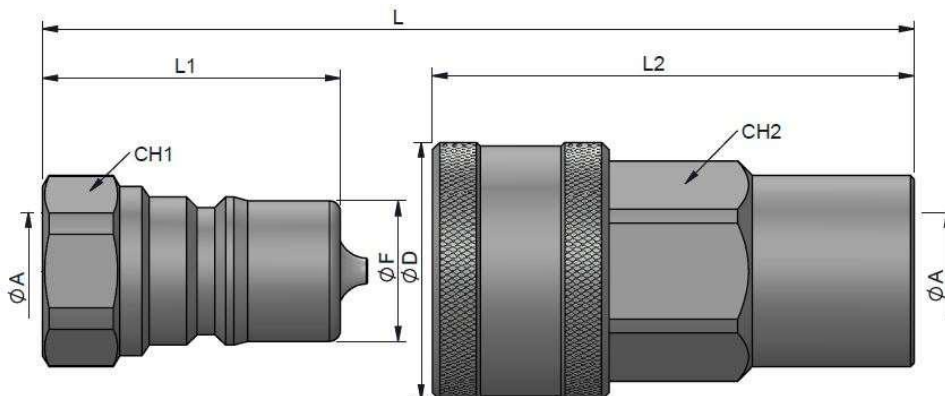


103 SERIES

ISO-B AISI 316



DN10

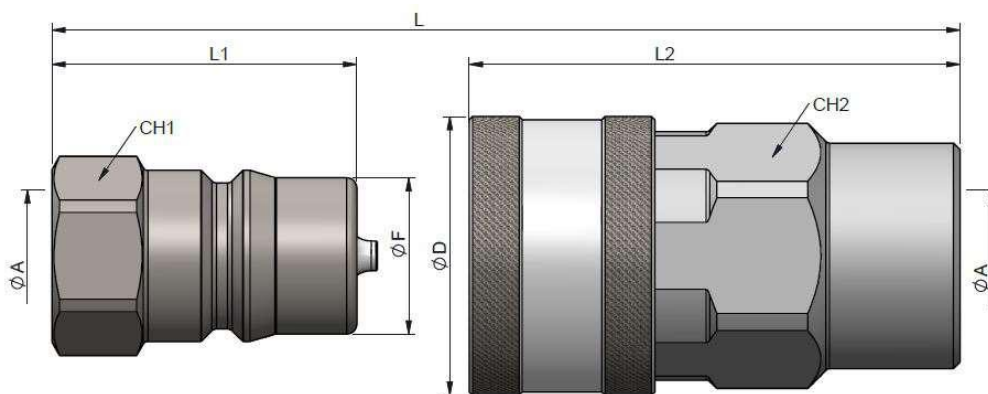


MALE STANDARD MODELS

FEMALE STANDARD MODELS

DN	ØA	REF.		CH1	L1	ØF	L	DN	ØA	REF.		CH2	L2	ØD	L
10	3/8" BSP	103.21122AC	280Bar	24	40.50	19.10	81	10	3/8" BSP	103.22122AC	280Bar	27	65.50	35	81
	3/8" NPTF	103.21122BC						10	3/8" NPTF	103.22122BC					
	3/4" - 16ORB	Bajo pedido							3/4" - 16ORB	Bajo pedido					

DN13



MALE STANDARD MODELS

FEMALE STANDARD MODELS

DN	ØA	REF.		CH1	L1	ØF	L	DN	ØA	REF.		CH2	L2	ØD	L
13	1/2" BSP	103.21123AD	260Bar	27	46	23.55	92	13	1/2" BSP	103.22123AD	260Bar	36	74	42	92
	1/2" NPTF	103.21123BD						13	1/2" NPTF	103.22123BD					
	3/4" - 16ORB	Bajo pedido							3/4" - 16ORB	Bajo pedido					
	7/8" - 14ORB	Bajo pedido							7/8" - 14ORB	Bajo pedido					

Manufactured according to ISO 7241-B norm.

L= length while quick coupling is connected.

103-9

INTEVA reserves the right to make modifications in its products without prior notice. Any external or internal alteration in our products will automatically void the warranty.



v8

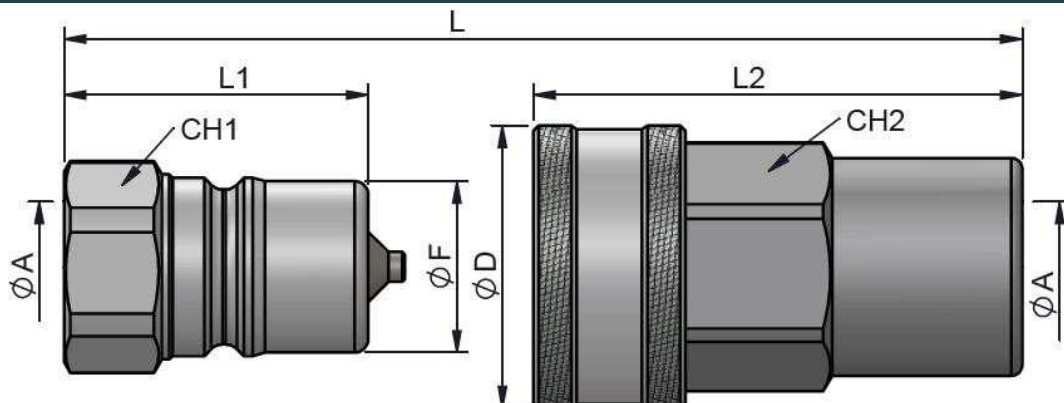


103 SERIES

ISO-B AISI 316



DN20

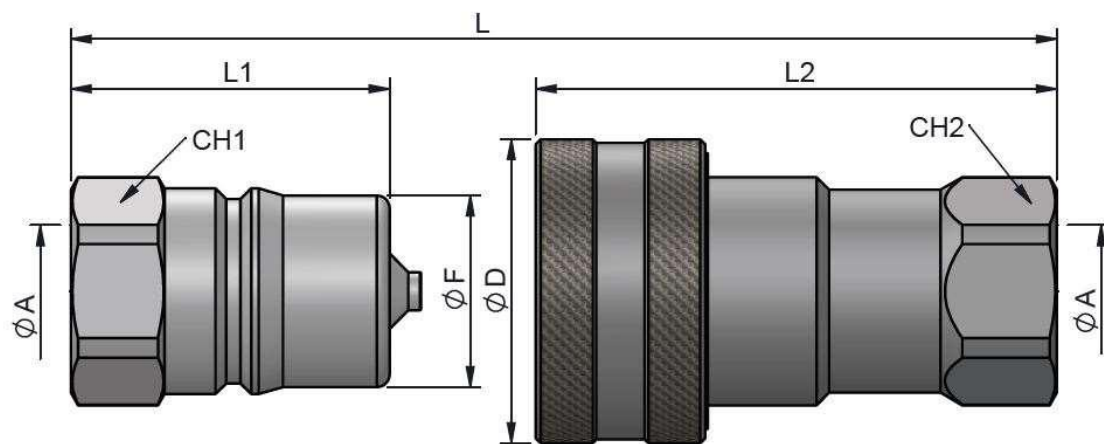


MALE STANDARD MODELS

FEMALE STANDARD MODELS

DN	ØA	REF.		CH1	L1	ØF	L	DN	ØA	REF.		CH2	L2	ØD	L
20	3/4" BSP	103.22124AE	250Bar	36	56	31.45	112	20	3/4" BSP	103.22124AE	250Bar	41	90	52	112
	3/4" NPTF	103.22124BE													
	1 1/16" 12ORB	Bajo pedido													

DN25



MALE STANDARD MODELS

FEMALE STANDARD MODELS

DN	ØA	REF.		CH1	L1	ØF	L	DN	ØA	REF.		CH2	L2	ØD	L
25	1" BSP	103.22125AF	210Bar	41	63	37.80	126	25	1" BSP	103.22125AF	210Bar	41	103	60	126
	1" NPTF	103.22125BF													
	1 5/16" 12ORB	Bajo pedido													

Manufactured according to ISO 7241-B norm.

L= length while quick coupling is connected.

103-10

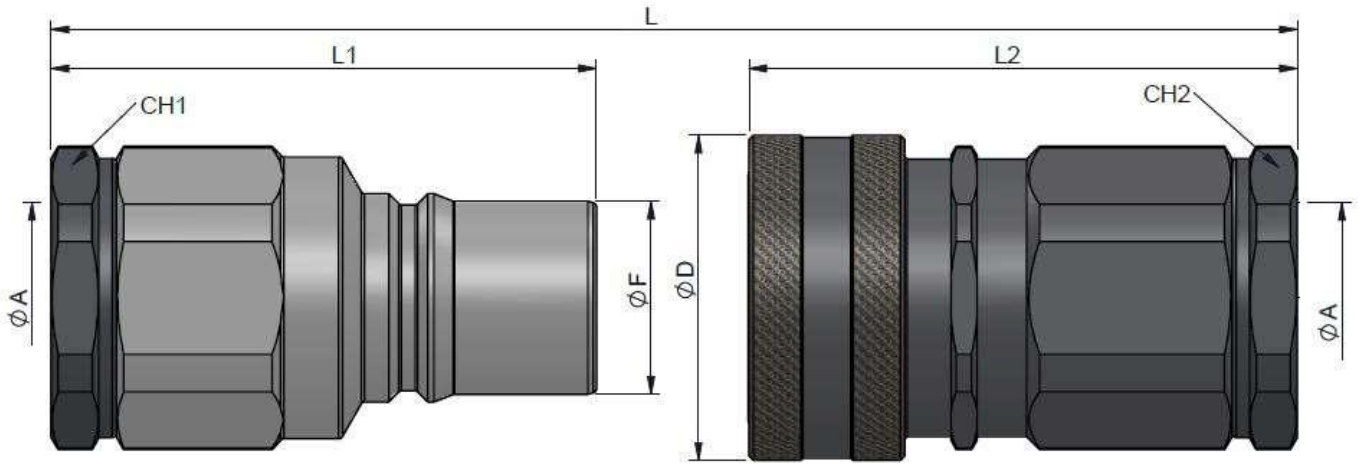


103 SERIES

ISO-B AISI 316



DN40



MALE STANDARD MODELS

FEMALE STANDARD MODELS

DN	ØA	REF.		CH1	L1	ØF	L	DN	ØA	REF.		CH2	L2	ØD	L
40	1 1/4" BSP	103.21127AG		65	126	44.50	252	40	1 1/4" BSP	103.22127AG		65	126.80	75	252
	1 1/4" NPTF	103.21127BG							1 1/4" NPTF	103.22127BG					
	1 1/2" BSP	103.21127AH							1 1/2" BSP	103.22127AH					
	1 1/2" NPTF	103.21127BH							1 1/2" NPTF	103.22127BH					

Manufactured according to ISO 7241-B norm.

L= length while quick coupling is connected.

103-11

INTEVA reserves the right to make modifications in its products without prior notice. Any external or internal alteration in our products will automatically void the warranty.



v8

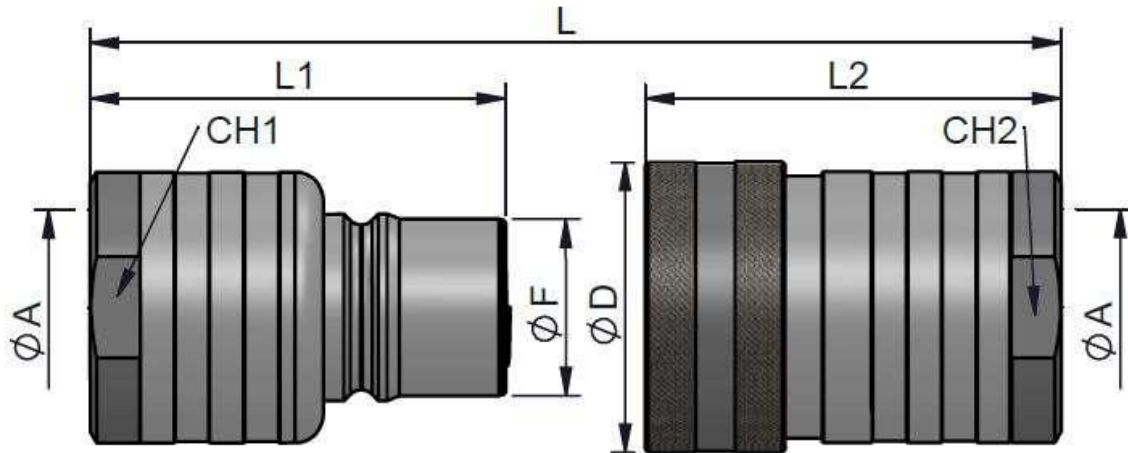


103 SERIES

ISO-B AISI 316



DN50



MALE STANDARD MODELS

FEMALE STANDARD MODELS

DN	ØA	REF.		CH1	L1	ØF	L	DN	ØA	REF.		CH2	L2	ØD	L
50	2" BSP	103.21128AI		90	149	63.27	262	50	2" BSP	103.22128AI		90	149	104	262
	2" NPTF	103.21128BI							2" NPTF	103.22128BI					
	2 1/2" BSP	103.21128AJ							2 1/2" BSP	103.22128AJ					
	2 1/2" NPTF	103.21128BJ							2 1/2" NPTF	103.22128BJ					
	3" BSP	103.21128AK							3" BSP	103.22128AK					
	3" NPTF	103.21128BK							3" NPTF	103.22128BK					

Manufactured according to ISO 7241-B norm.

L= length while quick coupling is connected.

103-12

INTEVA reserves the right to make modifications in its products without prior notice.
Any external or internal alteration in our products will automatically void the warranty.





103 SERIES

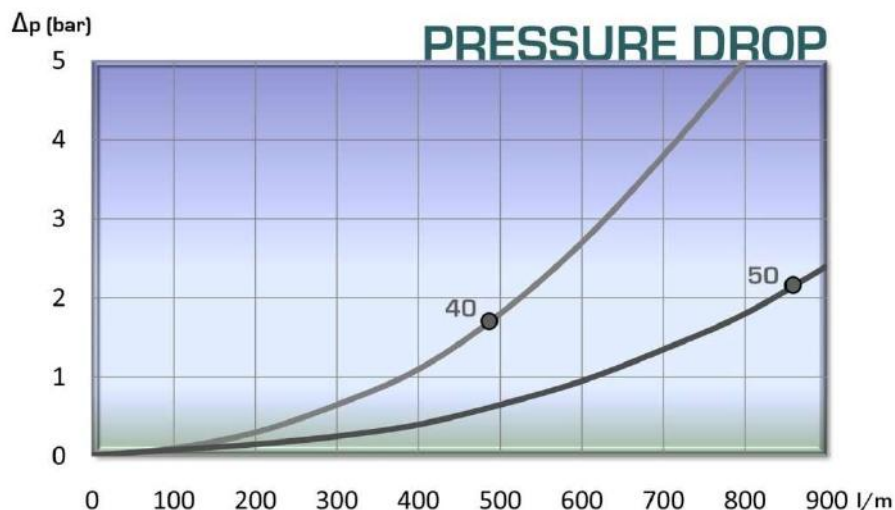
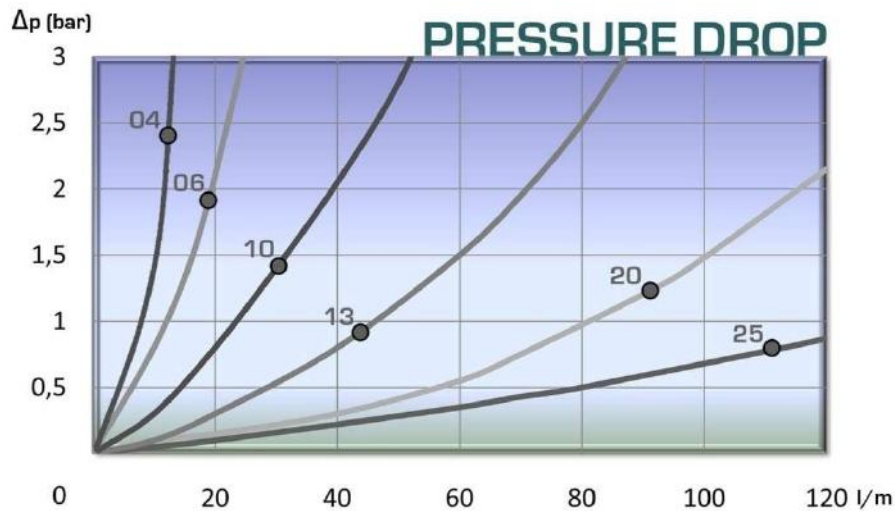
ISO-B STAINLESS STEEL



TECHNICAL DATA

DN	Rated Flow	Min. Burst Pressure (Bar)			Max. Working Pressure (Bar)
		Male	Female	Coupled	
04	7 l/min	1300	1300	1325	320
06	15 l/min	1150	1200	1250	280
10	35 l/min	1060	1075	1200	260
13	47 l/min	1050	1150	1200	260
20	93 l/min	855	875	900	210
25	118 l/min	850	875	900	210
40	480 l/min	480	500	600	120
50	890 l/min	405	415	550	100

Test performed according to ISO 18869



103-13



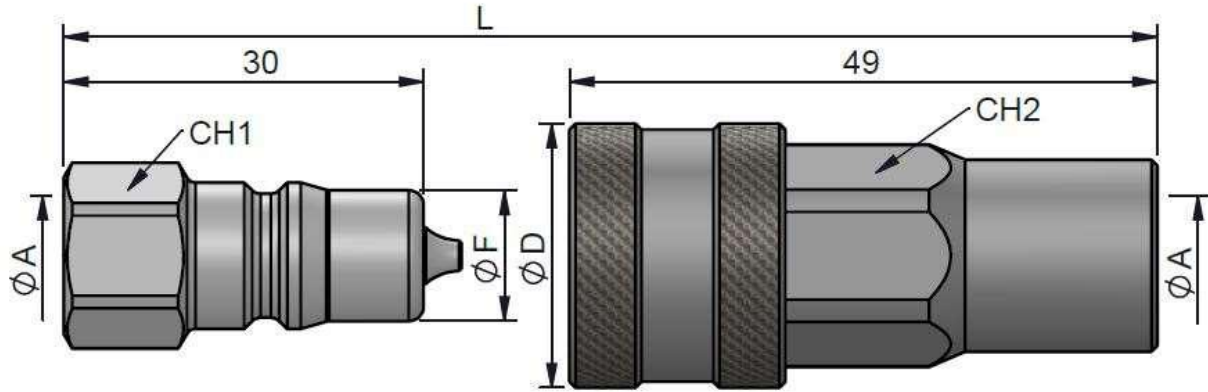


103 SERIES

ISO-B BRASS



DN04

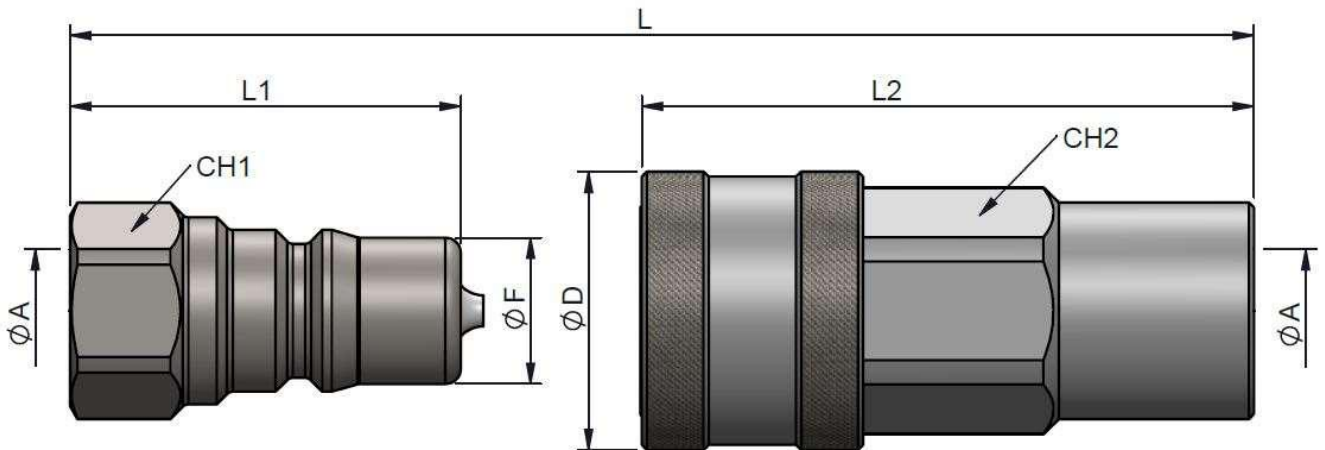


MALE STANDARD MODELS

FEMALE STANDARD MODELS

DN	ØA	REF.		CH1	L1	ØF	L	DN	ØA	REF.		CH2	L2	ØD	L
04	1/8" BSP	103.41120AA	250Bar	14	30	10.90	60	04	1/8" BSP	103.42120AA	250Bar	19	49	22	60
	1/8" NPTF	103.41120BA								103.42120BA					

DN06



MALE STANDARD MODELS

FEMALE STANDARD MODELS

DN	ØA	REF.		CH1	L1	ØF	L	DN	ØA	REF.		CH2	L2	ØD	L
06	1/4" BSP	103.41121AB	200Bar	19	38	14.20	76	06	1/4" BSP	103.42121AB	200Bar	22	59.55	27	76
	1/4" NPTF	103.41121BB								103.42121BB					

Manufactured according to ISO 7241-B norm.

L= length while quick coupling is connected.

103-14

INTEVA reserves the right to make modifications in its products without prior notice.
Any external or internal alteration in our products will automatically void the warranty.



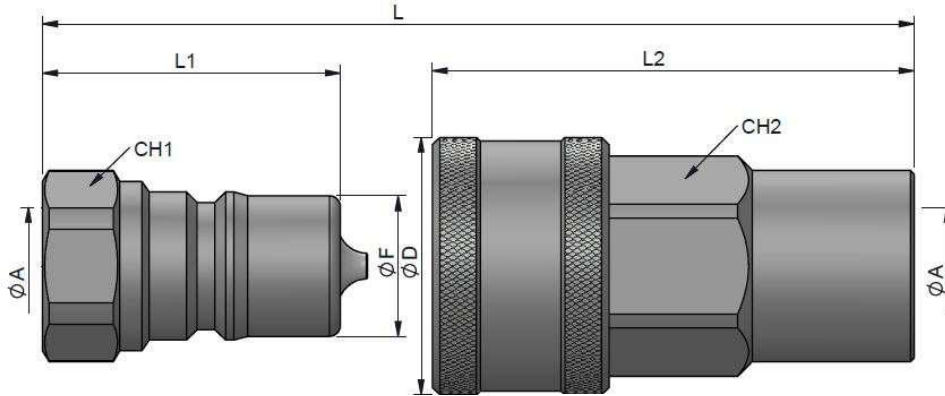


103 SERIES

ISO-B BRASS



DN10

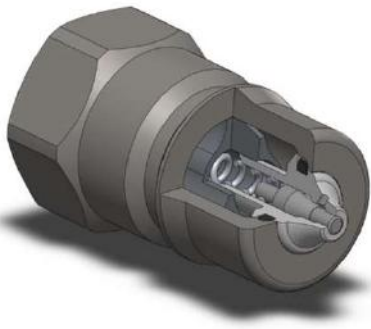


MALE STANDARD MODELS

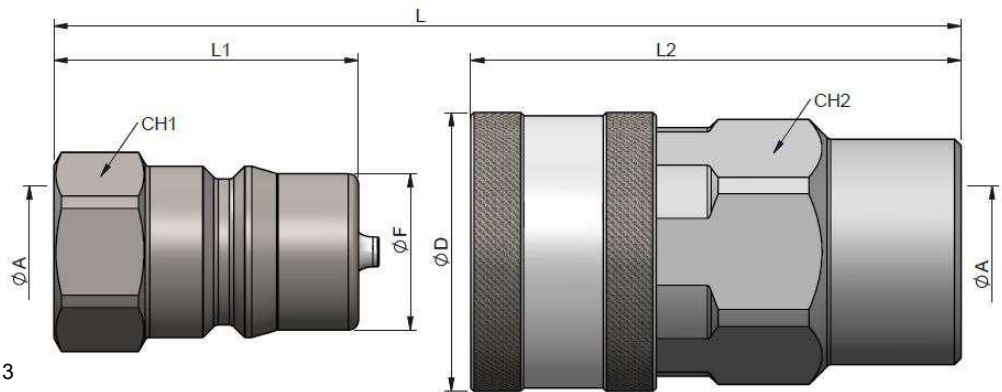
FEMALE STANDARD MODELS

DN	ØA	REF.		CH1	L1	ØF	L	DN	ØA	REF.		CH2	L2	ØD	L
10	3/8" BSP	103.41122AC	200Bar	24	40.50	19.10	81	10	3/8" BSP	103.42122AC	200Bar	27	65.50	35	81
	3/8" NPTF	103.41122BC								103.42122BC					
	3/4" - 16ORB	Bajo pedido								Bajo pedido					

DN13



C.U.R.P. connection is available in DN13
Up to 300 Bar.



MALE STANDARD MODELS

FEMALE STANDARD MODELS

DN	ØA	REF.		CH1	L1	ØF	L	DN	ØA	REF.		CH2	L2	ØD	L
13	1/2" BSP	103.41123AD	200Bar	27	46	23.55	92	13	1/2" BSP	103.42123AD	200Bar	36	74	42	92
	1/2" NPTF	103.41123BD								103.42123BD					
	3/4" - 16ORB	Bajo pedido								Bajo pedido					
	7/8" - 14ORB	Bajo pedido								Bajo pedido					

Manufactured according to ISO 7241-B norm.

L= length while quick coupling is connected.

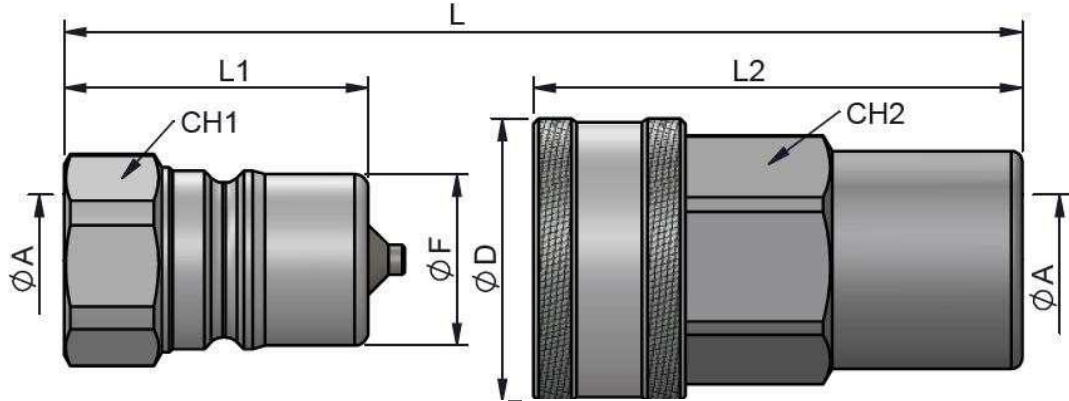


103 SERIES

ISO-B BRASS



DN20

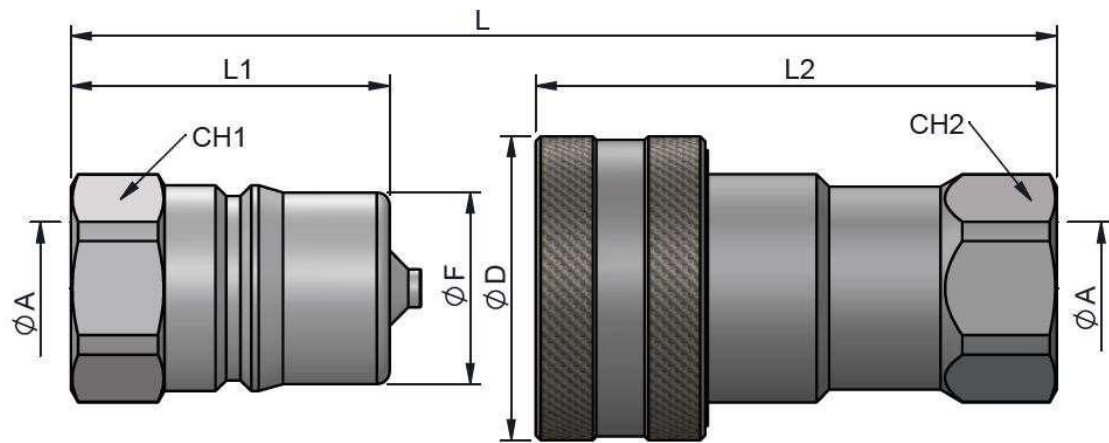


MALE STANDARD MODELS

FEMALE STANDARD MODELS

DN	ØA	REF.		CH1	L1	ØF	L	DN	ØA	REF.		CH2	L2	ØD	L
20	3/4" BSP	103.41124AE	150Bar	36	56	31.45	112	20	3/4" BSP	103.42124AE	150Bar	41	90	52	112
	3/4" NPTF	103.42124BE													
	1 1/16" 12ORB	Bajo pedido													

DN25



MALE STANDARD MODELS

FEMALE STANDARD MODELS

DN	ØA	REF.		CH1	L1	ØF	L	DN	ØA	REF.		CH2	L2	ØD	L
25	1" BSP	103.41125AF	180Bar	41	63	37.80	126	25	1" BSP	103.42125AF	180Bar	41	103	60	126
	1" NPTF	103.42125BF													
	1 5/16" 12ORB	Bajo pedido													

Manufactured according to ISO 7241-B norm.

L= length while quick coupling is connected.

103-16

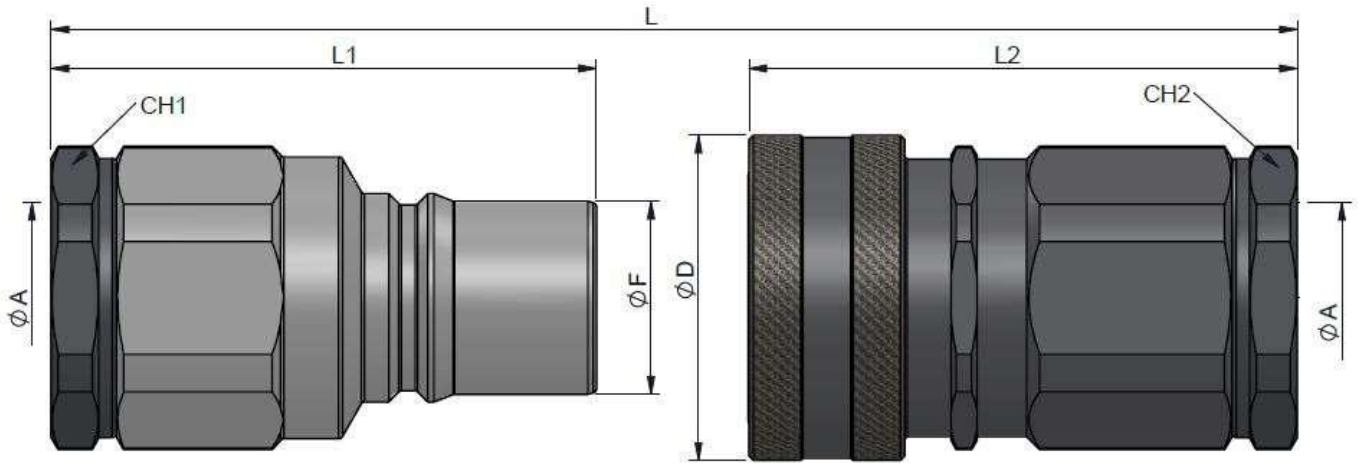


103 SERIES

ISO-B BRASS



DN40



MALE STANDARD MODELS

FEMALE STANDARD MODELS

DN	ØA	REF.		CH1	L1	ØF	L	DN	ØA	REF.		CH2	L2	ØD	L
40	1 1/4" BSP	103.41127AG		65	126	44.50	252	40	1 1/4" BSP	103.42127AG		65	126.80	75	252
	1 1/4" NPTF	103.41127BG							1 1/4" NPTF	103.42127BG					
	1 1/2" BSP	103.41127AH							1 1/2" BSP	103.42127AH					
	1 1/2" NPTF	103.41127BH							1 1/2" NPTF	103.42127BH					

Manufactured according to ISO 7241-B norm.

L= length while quick coupling is connected.

103-17

INTEVA reserves the right to make modifications in its products without prior notice. Any external or internal alteration in our products will automatically void the warranty.



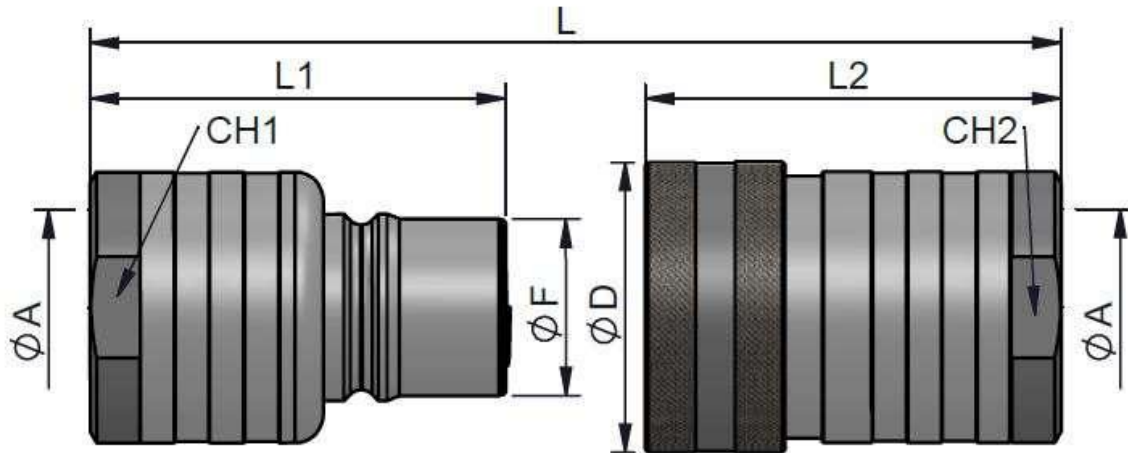


103 SERIES

ISO-B BRASS



DN50



MALE STANDARD MODELS

FEMALE STANDARD MODELS

DN	ØA	REF.		CH1	L1	ØF	L	DN	ØA	REF.		CH2	L2	ØD	L
50	2" BSP	103.21128AI		90	149	63.27	262	50	2" BSP	103.22128AI		90	149	104	262
	2" NPTF	103.21128BI							2" NPTF	103.22128BI					
	2 1/2" BSP	103.21128AJ							2 1/2" BSP	103.22128AJ					
	2 1/2" NPTF	103.21128BJ							2 1/2" NPTF	103.22128BJ					
	3" BSP	103.21128AK							3" BSP	103.22128AK					
	3" NPTF	103.21128BK							3" NPTF	103.22128BK					

Manufactured according to ISO 7241-B norm.

L= length while quick coupling is connected.

103-18

INTEVA reserves the right to make modifications in its products without prior notice.
Any external or internal alteration in our products will automatically void the warranty.



v8



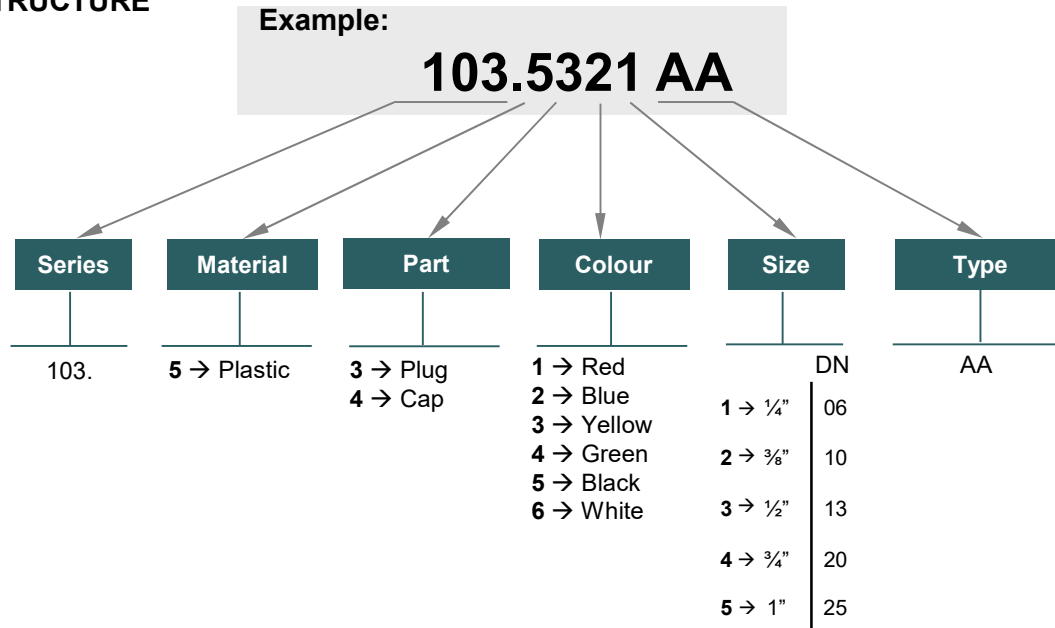
103 SERIES

ISO-B PLUGS & CAPS



ISO B SERIES PLUGS/ CAPS have been designed to protect FEMALE (coupler) or MALE (nipple) parts while they are disconnected.
Manufactured according to ISO 7241-B norm

MODEL STRUCTURE



PLUG						
DN	RED	BLUE	YELLOW	GREEN	BLACK	WHITE
04	*	103.5320AA	*	*	*	*
06	*	103.5321AA	*	*	*	*
10	*	103.5322AA	*	*	*	*
13	*	103.5323AA	*	*	*	*
20	*	103.5324AA	*	*	*	*
25	*	103.5325AA	*	*	*	*

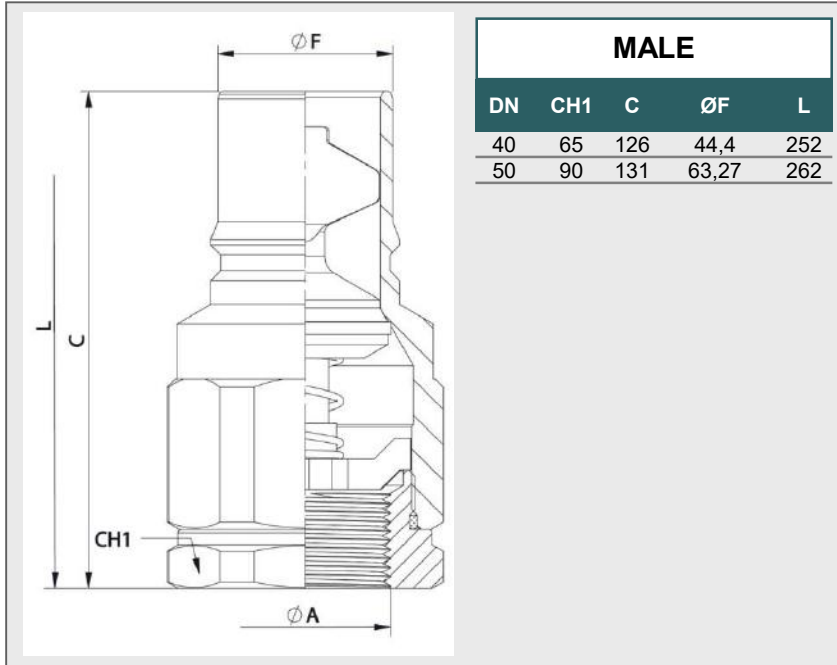
CAP						
DN	RED	BLUE	YELLOW	GREEN	BLACK	WHITE
04	*	103.5420AA	*	*	*	*
06	*	103.5421AA	*	*	*	*
10	*	103.5422AA	*	*	*	*
13	*	103.5423AA	*	*	*	*
20	*	103.5424AA	*	*	*	*
25	*	103.5425AA	*	*	*	*

* NOT AVAILABLE



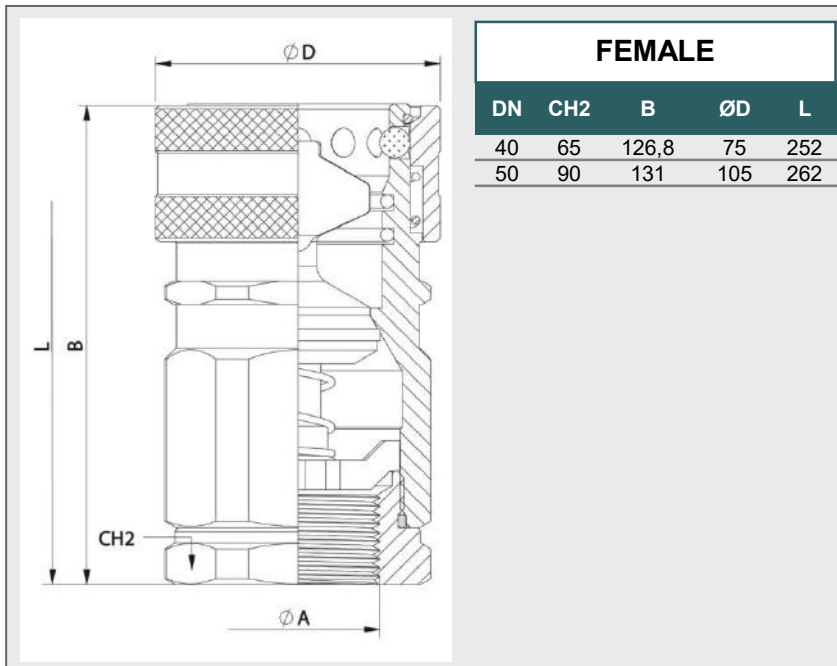
103 SERIES

ISO-B DN 40 / DN 50 SIZES



STANDARD CARBON STEEL MODELS			
DN	ØA	MALE	FEMALE
40	1 ¼" BSP	103.11117AG	103.12117AG
	1 ¼" NPTF	103.11117BG	103.12117BG
	1 ½" BSP	103.11117AH	103.12117AH
	1 ½" NPTF	103.11117BH	103.12117BH
50	2" BSP	103.11118AI	103.12118AI
	2" NPTF	103.11118BI	103.12118BI
	2 ½" BSP	103.11118AJ	103.12118AJ
	2 ½" NPTF	103.11118BJ	103.12118BJ
	3" BSP	103.11118AK	103.12118AK
	3" NPTF	103.11118BK	103.12118BK

STANDARD STAINLESS STEEL MODELS			
DN	ØA	MALE	FEMALE
40	1 ¼" BSP	103.21127AG	103.22127AG
	1 ¼" NPTF	103.21127BG	103.22127BG
	1 ½" BSP	103.21127AH	103.22127AH
	1 ½" NPTF	103.21127BH	103.22127BH
50	2" BSP	103.21128AI	103.22128AI
	2" NPTF	103.21128BI	103.22128BI
	2 ½" BSP	103.21128AJ	103.22128AJ
	2 ½" NPTF	103.21128BJ	103.22128BJ
	3" BSP	103.21128AK	103.22128AK
	3" NPTF	103.21128BK	103.22128BK



STANDARD BRASS MODELS			
DN	ØA	MALE	FEMALE
40	1 ¼" BSP	103.41127AG	103.42127AG
	1 ¼" NPTF	103.41127BG	103.42127BG
	1 ½" BSP	103.41127AH	103.42127AH
	1 ½" NPTF	103.41127BH	103.42127BH
50	2" BSP	103.41128AI	103.42128AI
	2" NPTF	103.41128BI	103.42128BI
	2 ½" BSP	103.41128AJ	103.42128AJ
	2 ½" NPTF	103.41128BJ	103.42128BJ
	3" BSP	103.41128AK	103.42128AK
	3" NPTF	103.41128BK	103.42128BK



103 SERIES

ISO-B PLUGS & CAPS

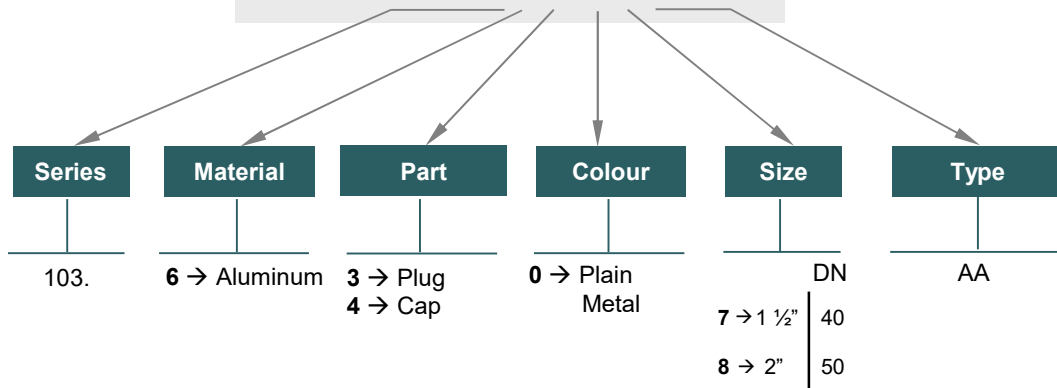


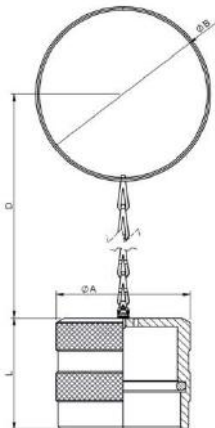
ISO B SERIES PLUGS/ CAPS have been designed to protect FEMALE (coupler) or MALE (nipple) parts while they are disconnected. Manufactured according to ISO 7241-B norm.

MODEL STRUCTURE

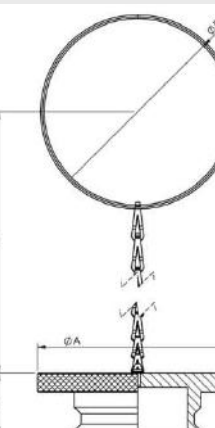
Example:

103.6308 AA





CAP					
DN	ØA	REF.	ØB	L	D
40	60	103.6407AA	70	60	609,5
50	78	103.6408AA	98	65	575,5



PLUG					
DN	ØA	REF.	ØB	L	D
40	75	103.6307AA	68	26	609,5
50	105	103.6308AA	98	32,4	575,5