

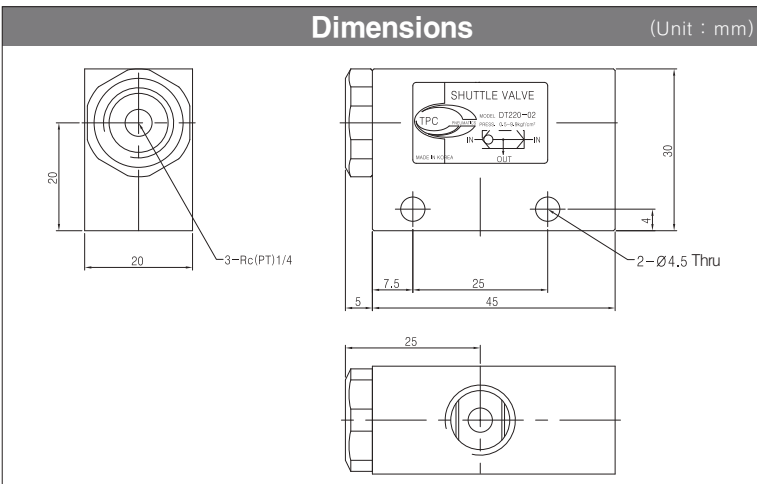
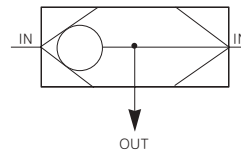
Series DT220

OR Valve (Shuttle Valve)



- 3 PORT OR VALVE WITH OUTPUT AND 2 PNEUMATIC SIGNAL INPUT PORT

Symbol



Model/Specification	
Model	DT 220-02
Port Size	Rc(Pt)1/4
Max. Operating Pressure	9.9 kgf/cm ²
Min. Operating Pressure	0.5 kgf/cm ²
Ambient and Fluid Temperature	0~60 °C
Effectine Area (Cv)	19mm ² (1.0)
Using pressure difference between high and low pressure on "IN" side.	Minimum 0.5kgf/cm ²

Construction/Part List

No.	Description	Material	Note
①	BODY	Aluminum Alloy	
②	BUSH	Carbon Steel	
③	VALVE	Rubber	
④	VALVE SLEEVE	Aluminum Alloy	
⑤	VALVE GUIDE	Copper	
⑥	GASKET A	NBR	
⑦	GASKET B	NBR	