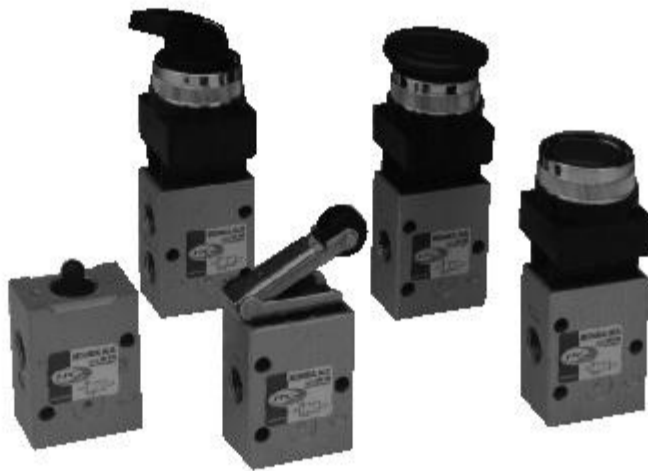


Series **DM**

3 · 5 Port Mechanical Valves



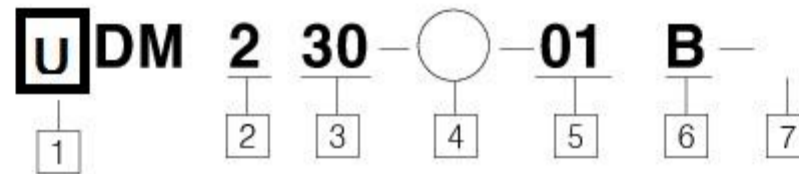
- VARIOUS ACTUATORS AVAILABLE
- EASY TO INTERCHANGE ACTUATOR ASSEMBLIES

Specifications

Body Type	DM230	DM330	DM450	DM550
Fluid	Air			
Operating Pressure Range	0~7kgf/cm ² (0~99.57psi)		1.5~7kgf/cm ² (21.34~7psi)	
Effective Orifice mm ² (Cv)	11.0(0.6)	19.0(1.0)	14.0(0.7)	19.0(1.0)
Lubrication	Not Required			
Port Size	Rc(PT)1/8	Rc(PT)1/4	Rc(PT)1/8	Rc(PT)1/4
Weight g(ozs)	88(3.1)	125(4.4)	163(5.75)	191(6.74)
Actuator	Basic Type, Roller Plunger, Roller, Push Button(Mushroom), Push Button(Flush), Selector			
Symbol				

- DW
- DR100
- DR200
- RS1000, 2000
- RS4000
- SI UNIT
- DV1000
- DV3000
- DV4000
- DS300
- DS3000
- DS5000
- DS2000
- DS6000
- DX1,DX2
- DX1(2)R
- DH
- DP300
- DP3000
- DP5000
- DM**
- DT220

How To Order



1 Mechanical Valve
Blank : Metric(PT)
U : NPT

2 Body Type / Size

- 2 : B Type
- 3 : C Type
- 4 : D Type
- 5 : E Type

3 Type of Actuation

- 30 : 2 Position 3 Port N.O/N.C.
- 50 : 2 Position 5 Port

4 Mounting

- Blank : Standard
- *B : Bracket
- *Bracket Part No
- DM450 Series : DM-4B
- DM550 Series : DM-5B

5 Port Size

- 01 : 1/8
- 02 : 1/4

6 Actuator

- B : Basic Type

R : Roller Plunger

RB : Roller Bearing Type

E : Push Button(Mushroom)

R2 : One Way Roller

RB2 : One Way Roller Bearing Type

P : Push Button(Flush)

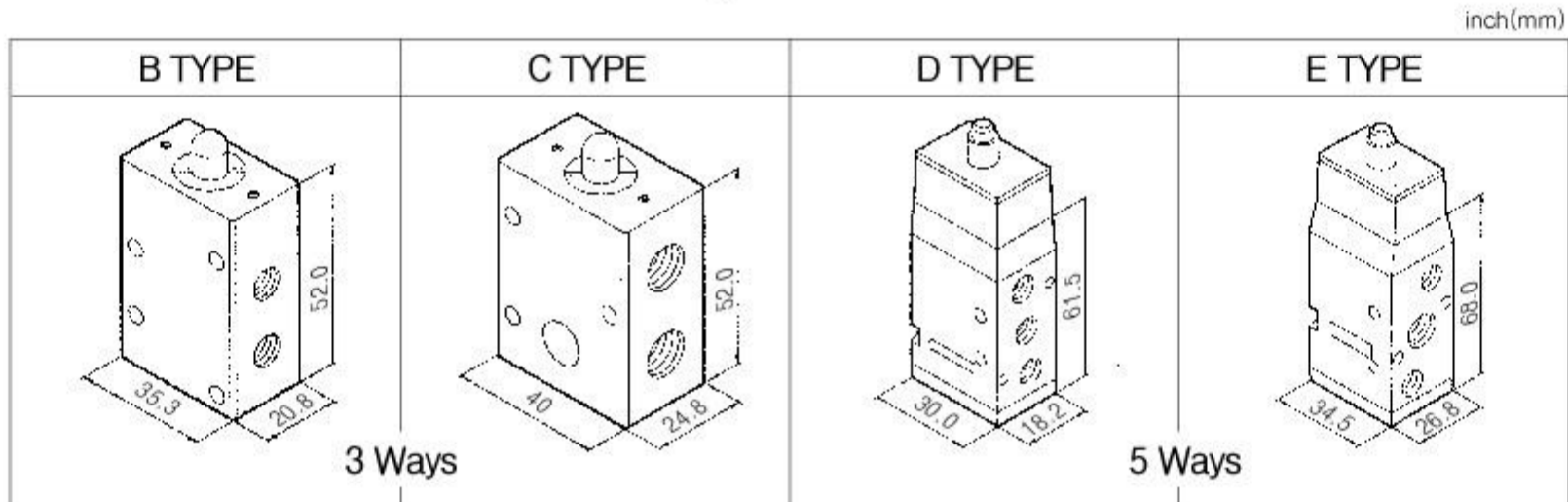
S : Selector

7 Actuator's Color(switch)

Blank : Red

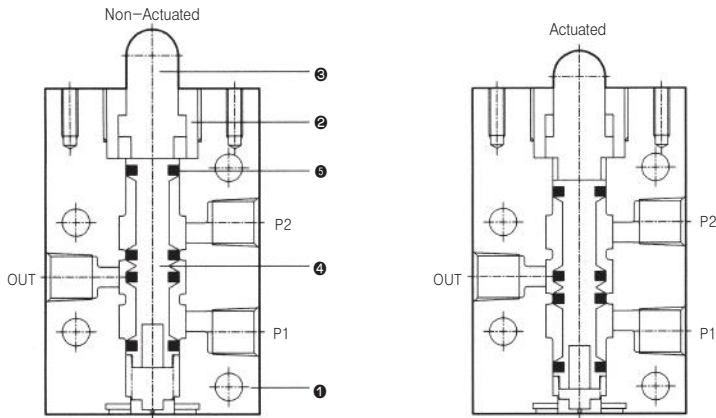
G : Green

B : Black



Series DM

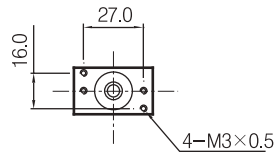
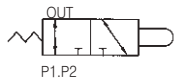
DM230 Construction/Parts List



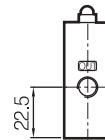
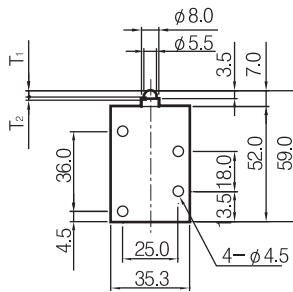
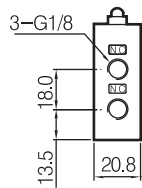
No.	Description	Material
1	Body	A 1 DC
2	Housing	C3604
3	Button	POM
4	Spool	A 1
5	Spool Packing	NBR

DM230-01B(Standard Type)

Symbol

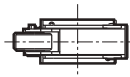
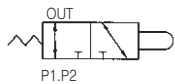


Specifications		
T1	Effective Moving Area	3.5mm
T2	Non-Effective Moving Area	1.0mm
F1	Able to Withstand the Weight	3.5kg
F2	Unable to Withstand the Weight	

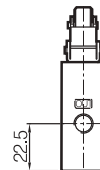
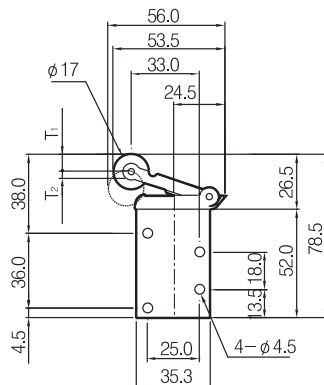
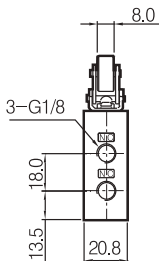


DM230-01R(Roller Type)/ DM230-01RB(Roller Bearing Type)

Symbol



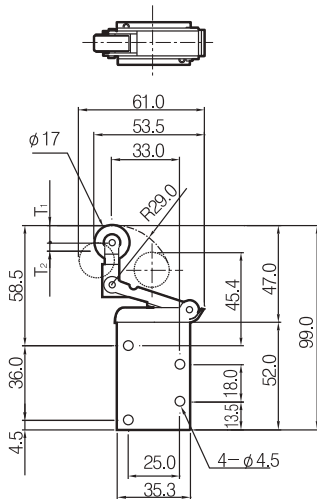
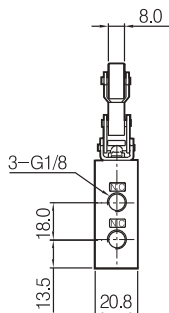
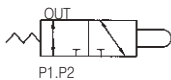
Specifications		
T1	Effective Moving Area	8.0mm
T2	Non-Effective Moving Area	3.0mm
F1	Able to Withstand the Weight	2.0kg
F2	Unable to Withstand the Weight	



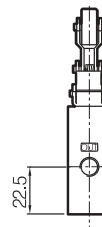
Series DM

DM230-01R2(One Way Roller Type) / DM230-01R2B(One Way Roller Bearing Type)

Symbol

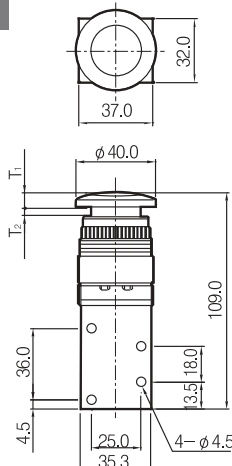
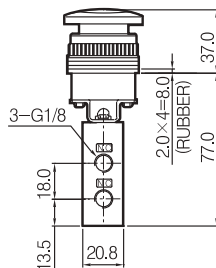
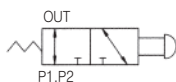


Specifications		
T1	Effective Moving Area	9.0mm
T2	Non-Effective Moving Area	3.5mm
F1	Able to Withstand the Weight	2.0kg
F2	Unable to Withstand the Weight	

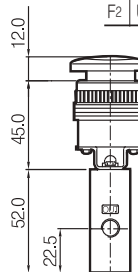


DM230-01E(Mushroom Button Type)

Symbol

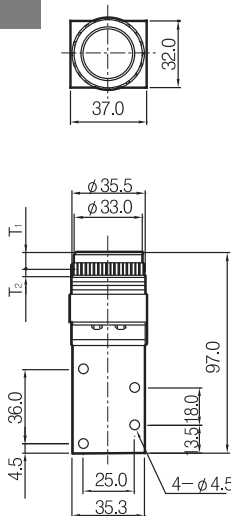
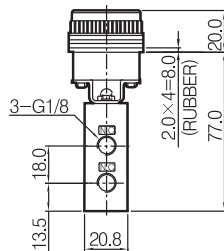
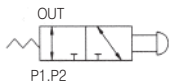


Specifications		
T1	Effective Moving Area	5.5mm
T2	Non-Effective Moving Area	1.0mm
F1	Able to Withstand the Weight	3.5kg
F2	Unable to Withstand the Weight	

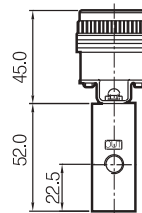


DM230-01P(Push Button Type)

Symbol



Specifications		
T1	Effective Moving Area	5.5mm
T2	Non-Effective Moving Area	1.0mm
F1	Able to Withstand the Weight	3.5kg
F2	Unable to Withstand the Weight	

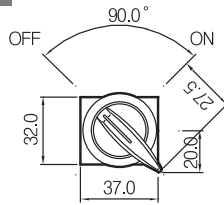


- DW
- DR100
- DR200
- RS1000, 2000
- RS4000
- SI UNIT
- DV1000, DV3000, DV4000
- DS300
- DS3000
- DS5000
- DS2000
- DS6000
- DX1,DX2
- DX1(2)R
- DH
- DP300, DP3000, DP5000
- DM**
- DT220

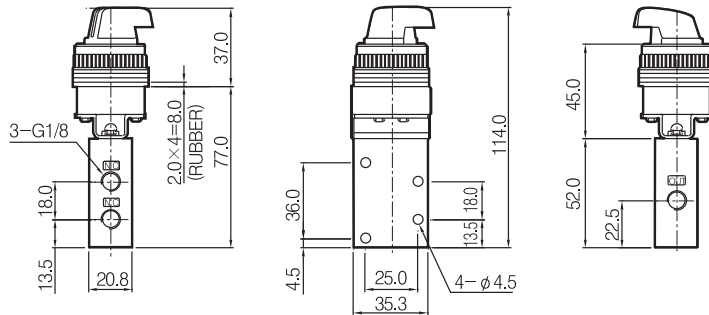
Series DM

DM230-01S(Twist Selector Type)

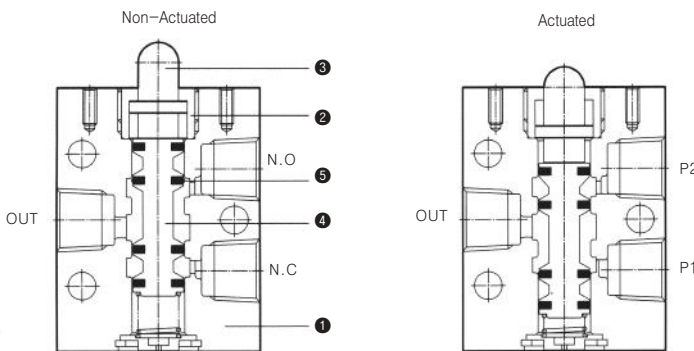
Symbol



Specifications		
T1	Effective Moving Area	3.6mm
T2	Non-Effective Moving Area	
F1	Able to Withstand the Weight	2.5kg
F2	Unable to Withstand the Weight	



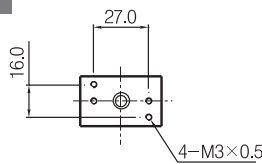
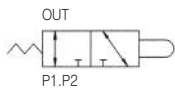
DM330/Construction/Parts List



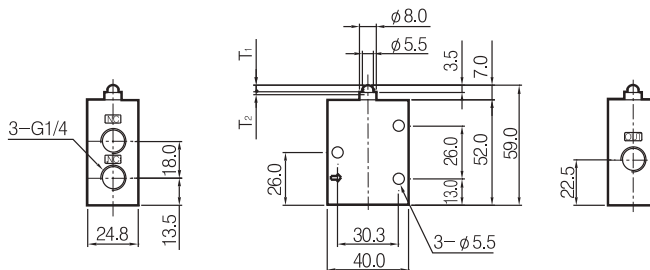
NO.	Description	Material
1	Body	A & DC
2	Housing	C3604
3	Button	POM
4	Spool	A2011
5	Spool Packing	NBR

DM330-02B(Standard Type)

Symbol



Specifications		
T1	Effective Moving Area	3.5mm
T2	Non-Effective Moving Area	1.0mm
F1	Able to Withstand the Weight	3.5kg
F2	Unable to Withstand the Weight	



Series DM

DM330-02R(Roller Type)/DM330-02RB(Roller Bearing Type)

Symbol

Specifications		
T1	Effective Moving Area	8.0mm
T2	Non-Effective Moving Area	3.0mm
F1	Able to Withstand the Weight	2.0kg
F2	Unable to Withstand the Weight	

DM330-02R2(Only Way Roller Type) / DM330-02R2B(Only Way Roller Bearing Type)

Symbol

Specifications		
T1	Effective Moving Area	9.0mm
T2	Non-Effective Moving Area	3.5mm
F1	Able to Withstand the Weight	2.0kg
F2	Unable to Withstand the Weight	

DM330-02E(Mushroom Button Type)

Symbol

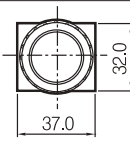
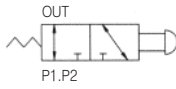
Specifications		
T1	Effective Moving Area	5.5mm
T2	Non-Effective Moving Area	1.0mm
F1	Able to Withstand the Weight	3.5kg
F2	Unable to Withstand the Weight	

- DW
- DR100
- DR200
- RS1000, 2000
- RS4000
- SI UNIT
- DV1000, DV3000, DV4000
- DS300
- DS3000
- DS5000
- DS2000
- DS6000
- DX1,DX2
- DX1(2)R
- DH
- DP300, DP3000, DP5000
- DM**
- DT220

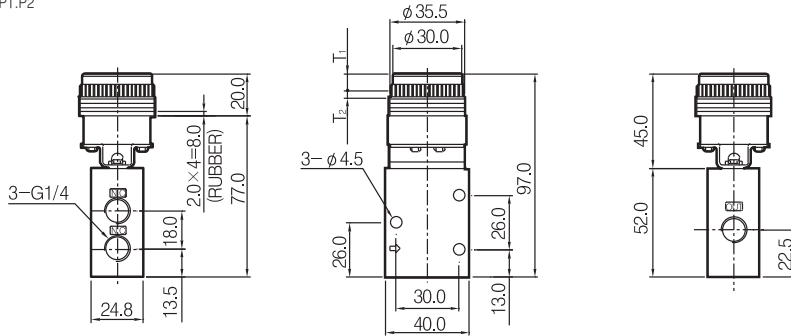
Series DM

DM330-02P(Push Button Type)

Symbol

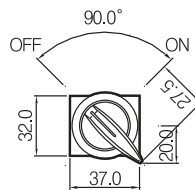
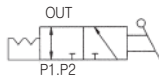


Specifications		
T1	Effective Moving Area	5.5mm
T2	Non-Effective Moving Area	1.0mm
F1	Able to Withstand the Weight	3.5kg
F2	Unable to Withstand the Weight	

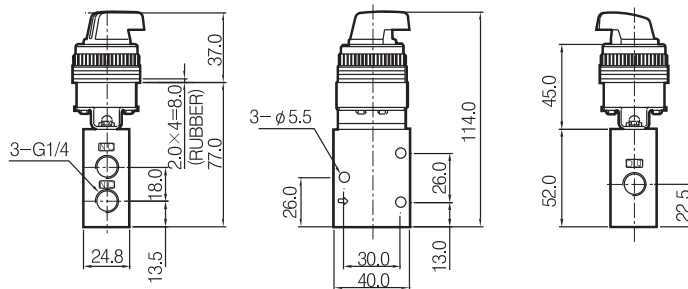


DM330-02S(Twist Selector Type)

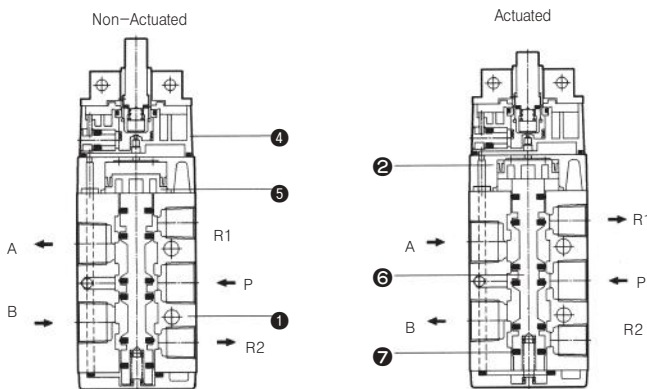
Symbol



Specifications		
T1	Effective Moving Area	3.6mm
T2	Non-Effective Moving Area	
F1	Able to Withstand the Weight	2.5kg
F2	Unable to Withstand the Weight	



DM450/Construction/Parts List

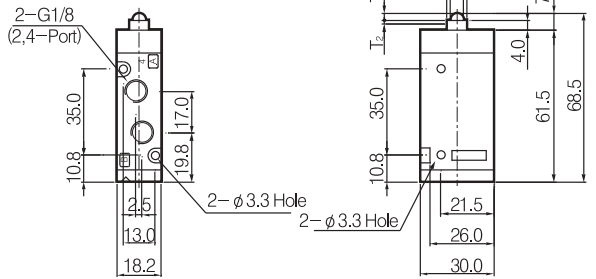
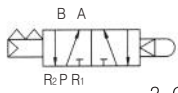


NO.	Description	Material
1	Body	A / DC
2	Semi Pilot	ZADC
3	Cap	ZnDC
4	Pilot	ZnDC
5	Piston	PBT
6	Spool	A2011
7	Spool Packing	NBR

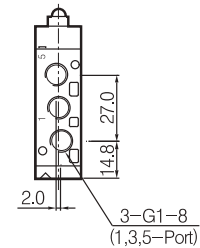
Series DM

DM450-01B (Standard Type)

Symbol

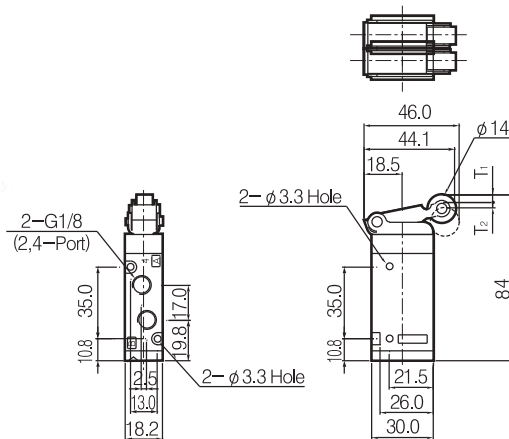


Specifications	
T1	Effective Moving Area 3.0mm
T2	Non-Effective Moving Area 1.0mm
F1	Able to Withstand the Weight 2.5kg
F2	Unable to Withstand the Weight

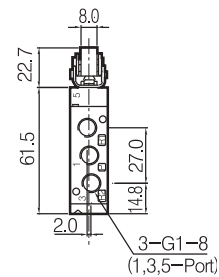


DM450-01R (Roller Type)/DM450-01RB (Roller Bearing Type)

Symbol

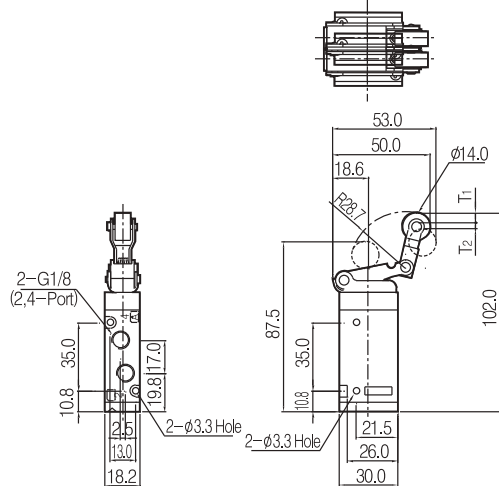


Specifications	
T1	Effective Moving Area 8.5mm
T2	Non-Effective Moving Area 2.0mm
F1	Able to Withstand the Weight 1.5kg
F2	Unable to Withstand the Weight

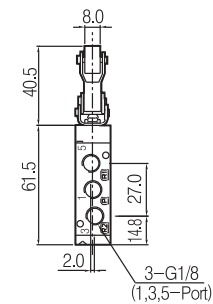


DM450-01R2 (One Way Roller Type)/DM450-01R2B (One Way Roller Bearing Type)

Symbol



Specifications	
T1	Effective Moving Area 9.5mm
T2	Non-Effective Moving Area 2.0mm
F1	Able to Withstand the Weight 1.5kg
F2	Unable to Withstand the Weight



DW

DR100

DR200

RS1000, 2000

RS4000

SI UNIT

DV1000 DV3000 DV4000

DS300

DS3000

DS5000

DS2000

DS6000

DX1,DX2

DX1(2)R

DH

DP300 DP3000 DP5000

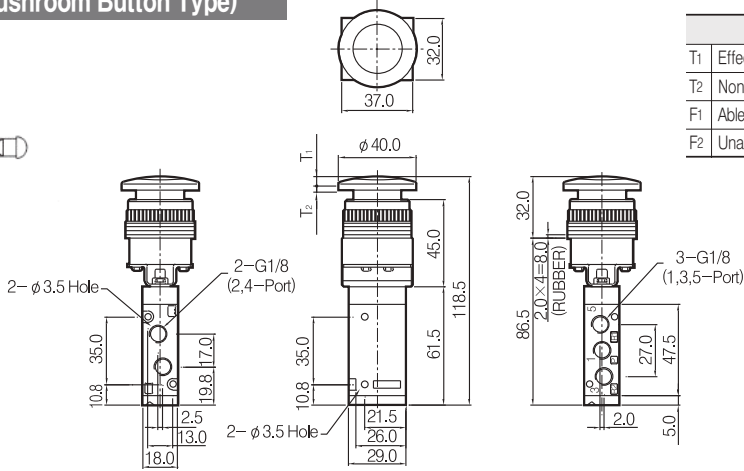
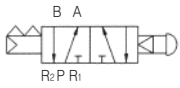
DM

DT220

Series DM

DM450-01E(Mushroom Button Type)

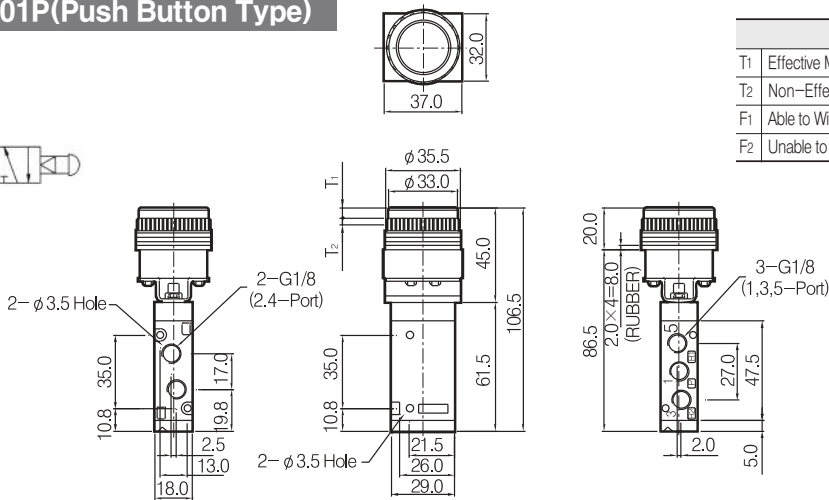
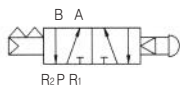
Symbol



Specifications	
T1	Effective Moving Area 6.5mm
T2	Non-Effective Moving Area 1.0mm
F1	Able to Withstand the Weight 3.0kg
F2	Unable to Withstand the Weight

DM450-01P(Push Button Type)

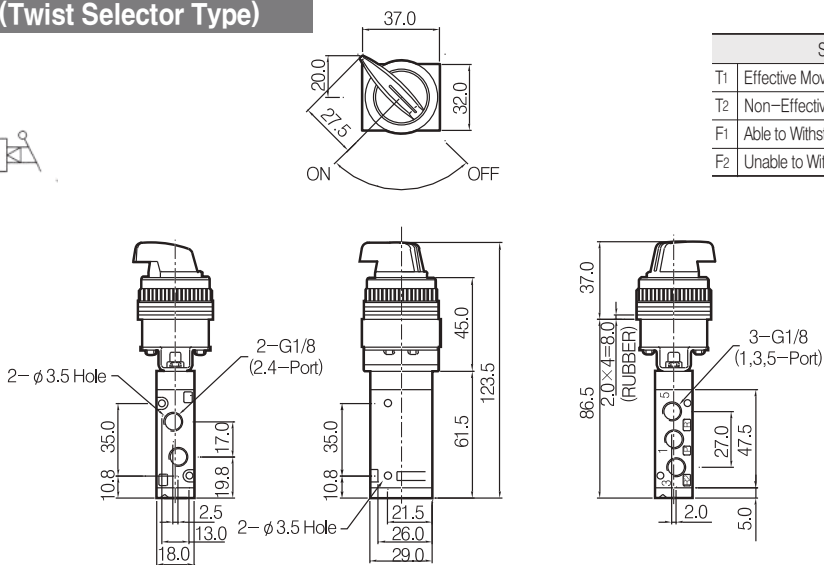
Symbol



Specifications	
T1	Effective Moving Area 6.5mm
T2	Non-Effective Moving Area 1.0mm
F1	Able to Withstand the Weight 3.0kg
F2	Unable to Withstand the Weight

DM450-01S(Twist Selector Type)

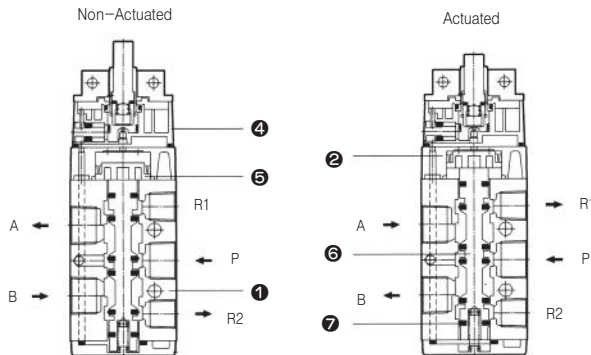
Symbol



Specifications	
T1	Effective Moving Area 3.6mm
T2	Non-Effective Moving Area
F1	Able to Withstand the Weight 2.5kg
F2	Unable to Withstand the Weight

Series DM

DM450/Construction/Parts List

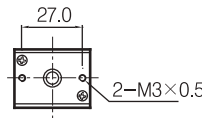


No.	Description	Material
①	Body	A 4 DC
②	Semi Pilot	ZnDC
③	Cap	ZnDC
④	Pilot	PBT
⑤	Piston	POM
⑥	Spool	A2011
⑦	Spool Packing	NBR

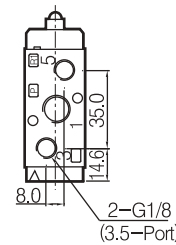
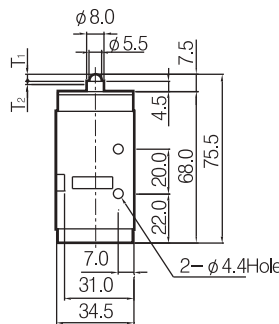
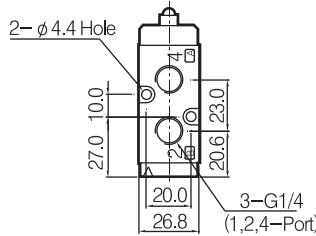
- DW
- DR100
- DR200
- RS1000, 2000
- RS4000
- SI UNIT
- DV1000
DV3000
DV4000

DM550-02B(Standard Type)

Symbol



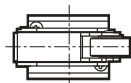
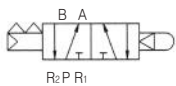
Specifications		
T1	Effective Moving Area	3.6mm
T2	Non-Effective Moving Area	1.0mm
F1	Able to Withstand the Weight	3.5kg
F2	Unable to Withstand the Weight	



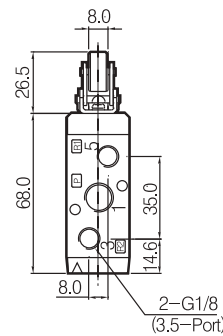
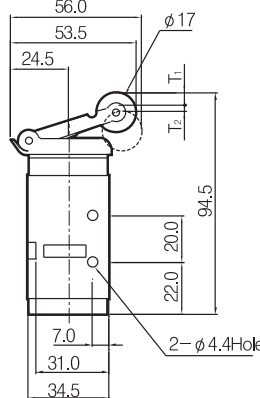
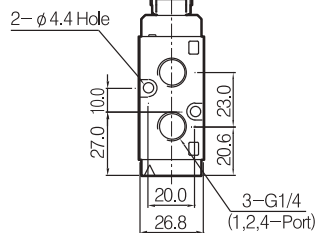
- DS300
- DS3000
- DS5000
- DS2000
- DS6000
- DX1,DX2
- DX1(2)R
- DH
- DP300
DP3000
DP5000
- DM**

DM550-02R(Roller Type)/ DM550-02RB(Roller Bearing Type)

Symbol



Specifications		
T1	Effective Moving Area	9.0mm
T2	Non-Effective Moving Area	3.0mm
F1	Able to Withstand the Weight	1.5kg
F2	Unable to Withstand the Weight	

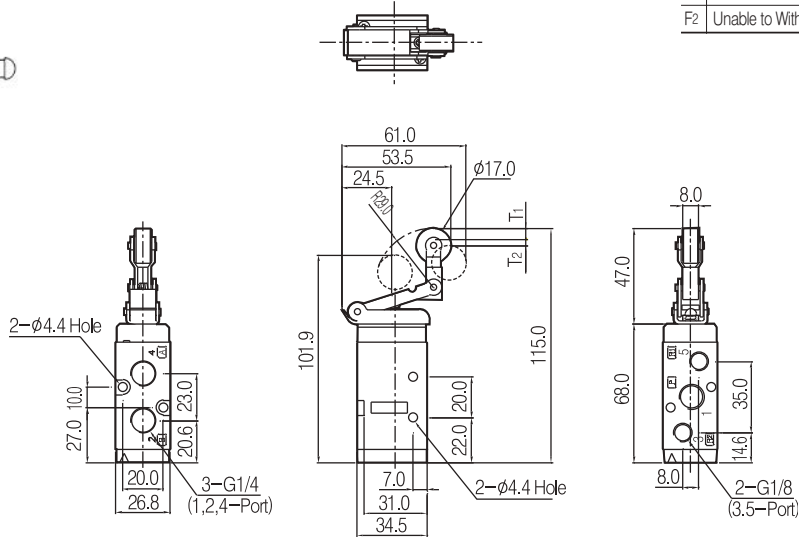
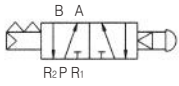


- DT220

Series DM

DM550-02R2(One Way Roller Type)/ DM550-02R2B(One Way Roller Bearing Type)

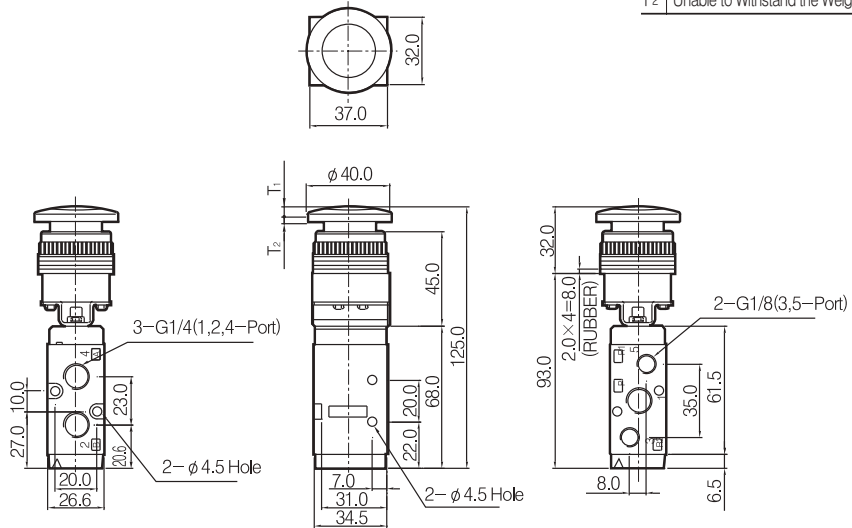
Symbol



Specifications		
T1	Effective Moving Area	10.5mm
T2	Non-Effective Moving Area	3.0mm
F1	Able to Withstand the Weight	1.5kg
F2	Unable to Withstand the Weight	

DM550-02E(Mushroom Button Type)

Symbol

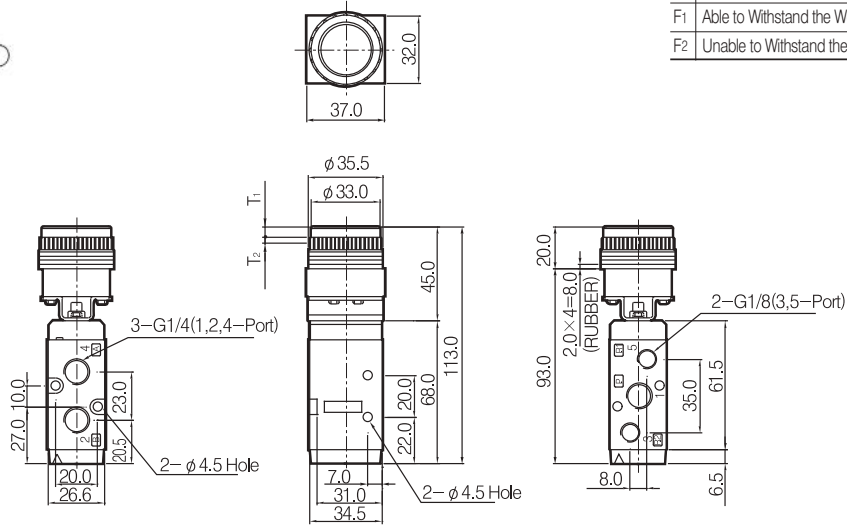
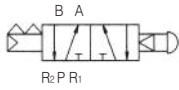


Specifications		
T1	Effective Moving Area	5.5mm
T2	Non-Effective Moving Area	1.0mm
F1	Able to Withstand the Weight	4.0kg
F2	Unable to Withstand the Weight	

Series DM

DM550-02P(Push Button Type)

Symbol

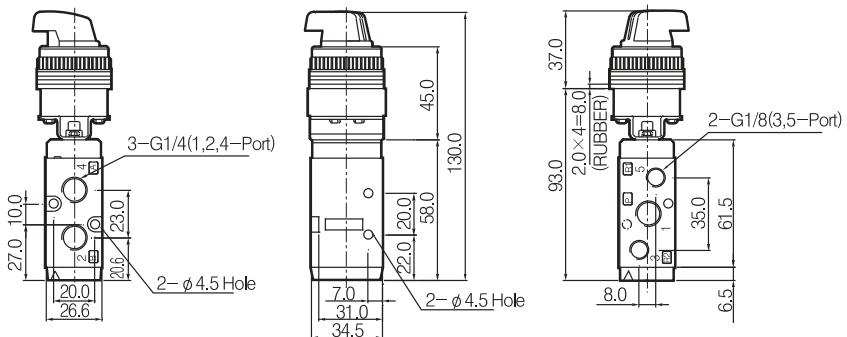
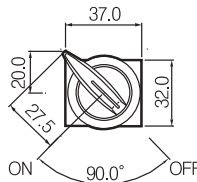


Specifications		
T1	Effective Moving Area	5.5mm
T2	Non-Effective Moving Area	1.0mm
F1	Able to Withstand the Weight	4.0kg
F2	Unable to Withstand the Weight	

- DW
- DR100
- DR200
- RS1000, 2000
- RS4000
- SI UNIT
- DV1000
- DV3000
- DV4000
- DS300
- DS3000
- DS5000
- DS2000
- DS6000
- DX1,DX2
- DX1(2)R
- DH
- DP300
- DP3000
- DP5000
- DM**
- DT220

DM550-02S (Twist Selector Type)

Symbol



Specifications		
T1	Effective Moving Area	3.6mm
T2	Non-Effective Moving Area	
F1	Able to Withstand the Weight	2.5kg
F2	Unable to Withstand the Weight	