

Accessories

C-Bracket Unit



□ PC2



□ PC3



□ PC4



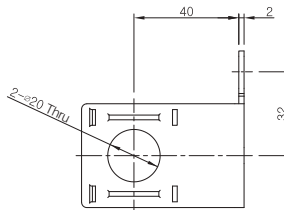
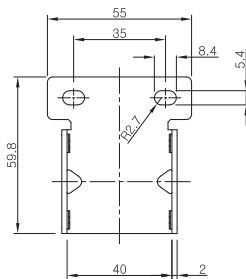
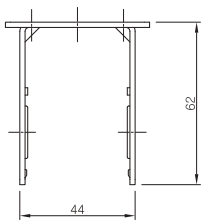
□ PC5

■ Standard Specifications

Specifications	PC2	PC3	PC4	PC5
Item Number	PF2-33-001-01	PF3-33-001-01	PF4-33-001-01	PF5-33-001-01
Material	Rolled Steel	Rolled Steel	Rolled Steel	Rolled Steel

■ Dimensions

<PC2>

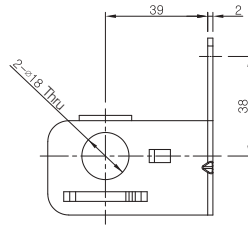
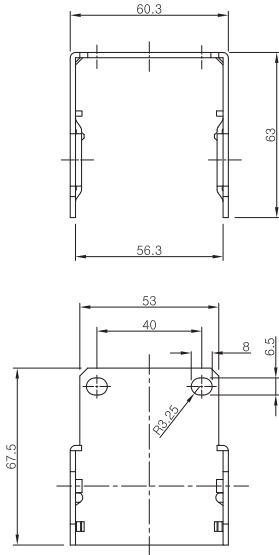


Series Accessories

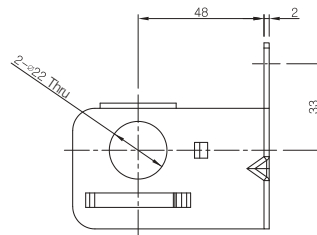
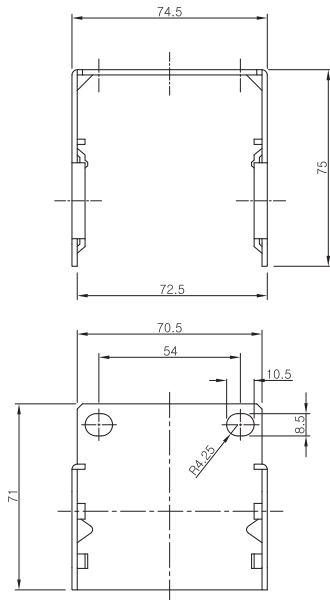
PA
SSV
SMS1000
Accessories
OPTION
PER2000, 3000
PVR3000
PNR4000

■ Dimensions

<PC3>



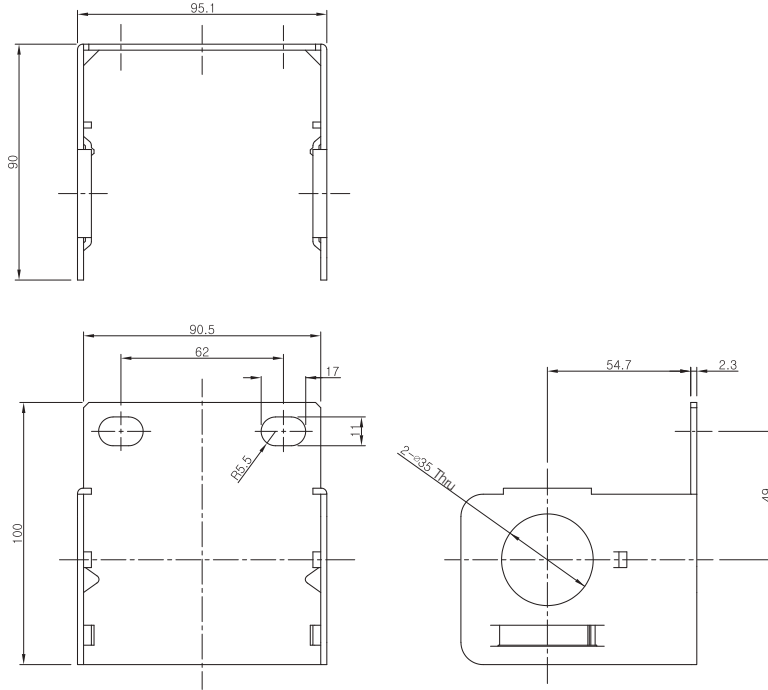
<PC4>



Series Accessories

▣ Dimensions

<PC5>



Accessories

L-Bracket Unit



□ PC2

Standard Specifications

Specifications	PC2	PC3	PC4	PC5
Item Number	PR2-33-001-01	PR3-33-001-01	PR4-33-001-01	PR5-33-001-01
Material	Rolled Steel	Rolled Steel	Rolled Steel	Rolled Steel



□ PC3



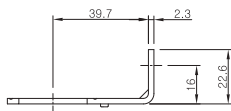
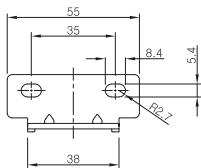
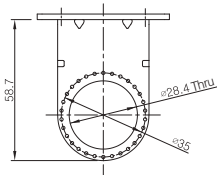
□ PC4



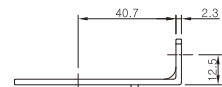
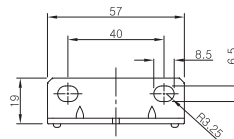
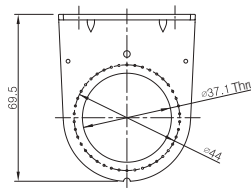
□ PC5

Dimensions

<PC2>



<PC3>

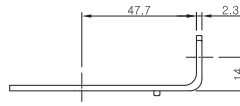
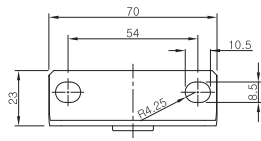
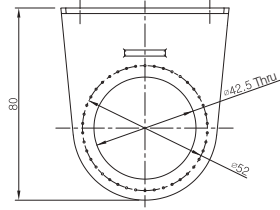


Series Accessories

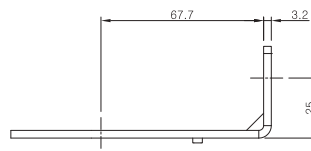
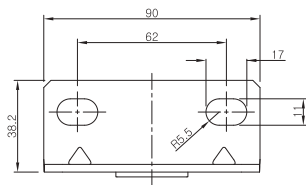
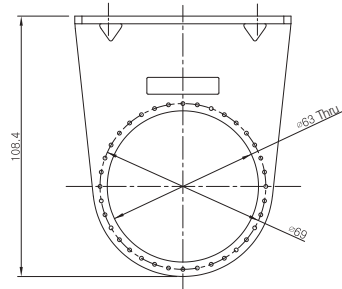
- PA
- SSV
- SMS1000
- Accessories
- OPTION
- PER2000, 3000
- PVR3000
- PNR4000

■ Dimensions

<PC4>



<PC5>

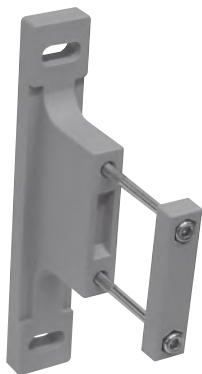


Accessories

T-Bracket assembly

Standard Specifications

Specifications	PC2	PC3	PC4	PC5
Item Number	PC2A-33A001	PC3A-33A001	PC4A-33A001	PC5A-33A001
Material	Nylon	Aluminum	Aluminum+Zinc	Aluminum



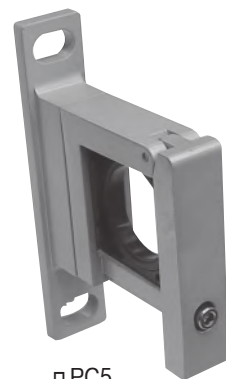
□ PC2



□ PC3



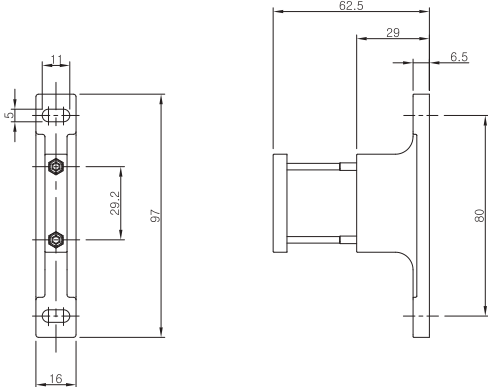
□ PC4



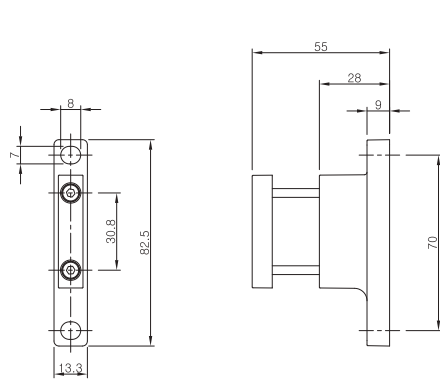
□ PC5

Dimensions

<PC2>



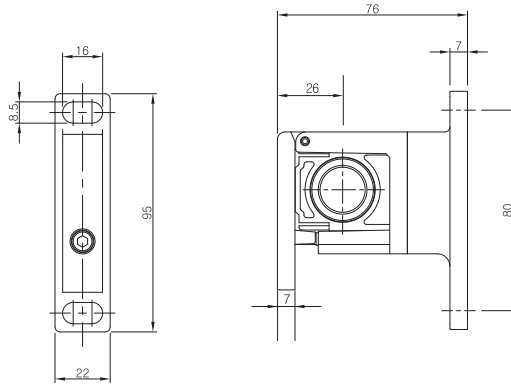
<PC3>



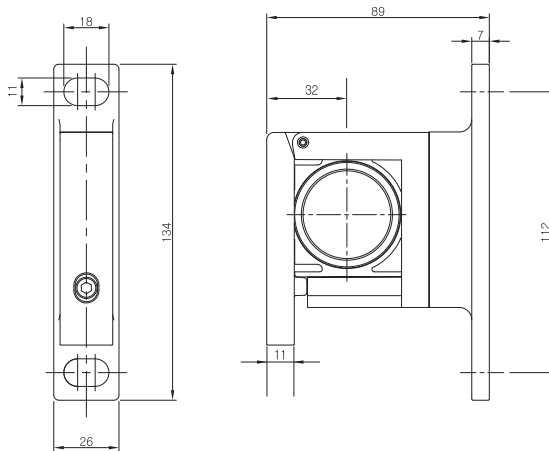
Series Accessories

■ Dimensions

<PC4>



<PC5>



PA

SSV

SMS1000

Accessories

OPTION

PER2000, 3000

PVR3000

PNR4000