

Auto Drain Valve (SAD402)

SAD402 Series

- SAD402 series enable the condensed water in the compressed air line to be drained automatically.
- SAD402 series can also be operated manually.



PC bowl with Nylon guard

MeP type bowl

MeF type bowl

How to order

SAD 402 - 04 D - MeP

① Auto drain Valve

② Female thread type

Nil - Rc(PT)
N - NPT
G - G(PF)

③ Thread type

02 - 1/4
03 - 3/8
04 - 1/2
R04 - 1/2 male thread
M30 - M30 male thread

④ Drain connector

D - One-touch fitting(Φ6mm)
Dn - Nipple(PT 1/8)

⑤ Bowl

Nil - Polycarbonate bowl with Nylon guard
PcS - Polycarbonate bowl with Steel guard
MeP - Metal bowl with pipe type sight glass
MeF - Metal bowl with flat type sight glass

Symbol



Specification

Fluid	Compressed Air
Max. operating pressure	10bar (1.0MPa)
Min. operating pressure	1.5bar (0.15MPa)
Max. supply pressure	15bar (1.5MPa)
Ambient and Media temp.	-5 ~ 60°C (No freezing)
Bowl Material	Polycarbonate
Bowl Guard Material	Nylon
Port size	1/4, 3/8, 1/2, R1/2, M30

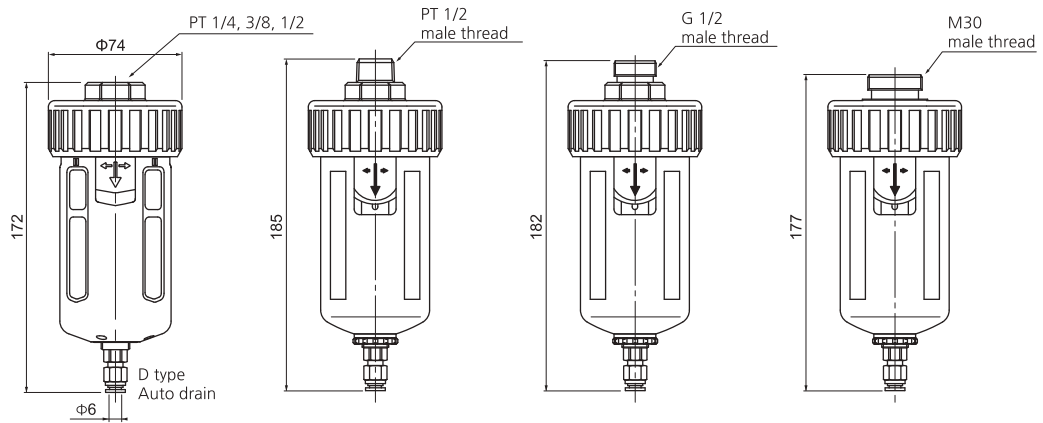
Precautions

- ① Drain piping should be both 4mm or greater in diameter and less than 1m in length. Avoid installing drain piping upwards.
- ② The drainage hose installed should be straight.
- ③ When auto drain is inoperable, drain manually by pushing the one-touch fitting upward.
- ④ When auto drain is used it is recommended to use at least 1.5bar pressure.
- ⑤ Please consult with SKP when using the product in applications other than compressed air.

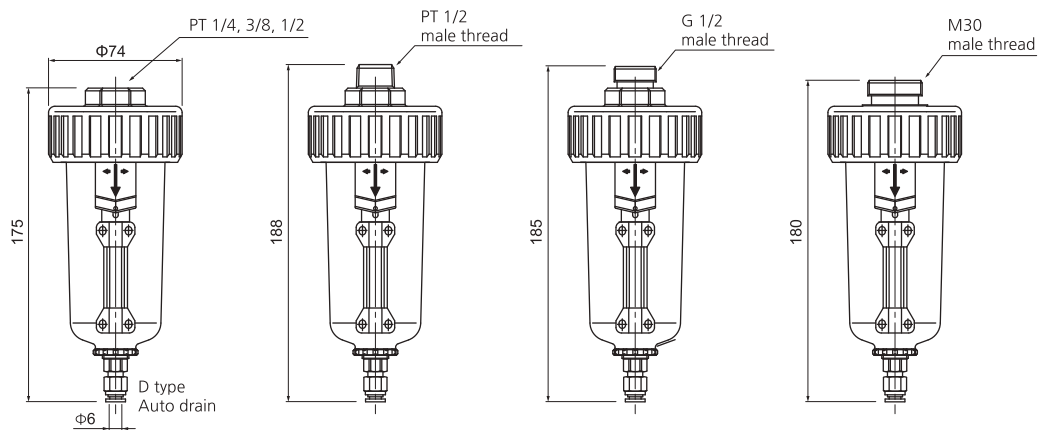
DIMENSIONS (mm)

Note : Dn-type is shorter than 4mm D-type.

■ PC Bowl with a bowl guard



■ Metal Bowl with pipe type sight glass(MeP)



■ Metal Bowl with flat type sight glass(MeF)

